

# PARTS CATALOGUE



## SCOOTERS

KF10AA(IT)

SUPER 8



Date : 2009/02/12

## ABOUT THIS PARTS LIST

- This parts list is compiled all service parts for model KF10AA(IT).
- Any difference between color chart and motorcycle will be revised according to motorcycle.
- The sales mark:
  1. marking "\*\*\*" must add color code in the end before ordering parts.
- When modification or additions to this parts list are made a revised edition at an appropriate time.

# CONTENTS

● ABOUT THIS PARTS LIST .....	1
● COLOR CHART OF KF10AA(IT) .....	3
● CONTENTS-ENGINE GROUP .....	7
● CONTENTS-FRAME GROUP .....	8
● ENGINE PARTS LIST .....	11
● FRAME PARTS LIST .....	33
● PART NO. INDEX .....	87

NO	MODEL			KF10AA(IT) COLOR CHART			
	PHOTO NO			NO. 1	NO. 2	NO. 3	NO. 4
	BASIC COLOR			Bright Blue	Gray Metallic	Black	Pearly White
	CODE			Bright Blue	Gray Metallic	Black	Pearly White
	PARTS NAME	PARTS NO.	VERSION	PB107CA	NH202MA	NH001SA	NH193PA
1	SKIRT R SIDE	64305-LEJ2-E10	0	DG3	D26	D01	D25
2	SKIRT L SIDE	64306-LEJ2-E10	0				
3	CARRIER RR	81200-LEJ2-E10	0	N1A			
4	FENDER FR	61100-LEJ2-E10	0	BAP		N1P	
5	COVER FR	64301-LEJ2-E10	1	N1P			
6	COVER FR TOP	64309-LEJ2-E10	0				
7	COVER R SIDE	83520-LEJ2-E10	0				
8	COVER L SIDE	83620-LEJ2-E10	0				
9	COVER HANDLE FR	53205-LEJ2-E10	4	BAP	NYP	N1P	NVP
10	MOLE R SIDE	64302-LEJ2-E10	0				
11	MOLE L SIDE	64303-LEJ2-E10	0	BAP	NYP	N1P	R9P
12	COVER R BODY	83500-LEJ2-E10	0				
13	COVER L BODY	83600-LEJ2-E10	0				
14	COVER RR CENTER	83750-LEJ2-E10	0				
15	WHEEL ASSY RR	42600-LEJ3-E10	0	16A	NEA		
16	WHEEL CAST RR	42601-LEJ2-E10	0				
17	WHEEL ASSY FR	44600-LEJ3-E10	0				
18	WHEEL CAST FR	44601-LEJ3-E10	0				
19	FORK ASSY RH FR	51400-LEJ2-E10	1				
20	BOTTOM CASE RH	51420-LEJ2-E10	0				
21	FORK ASSY LH FR	51500-LEJ2-E10	1				
22	BOTTOM CASE L	51520-LEJ2-E10	0				
23	STOPPER LUGGAGE	81133-KGBG-9000	0	NH268			
24	HOOK LUGGAGE	81134-KGBG-9000	2	T01			
25	STRIPE K-LOGO 22MM	86102-LEJ2-E00	2				
DATE OF STARTING-SALES							
DATE OF END-SALES							

NO	MODEL			KF10AA(IT) COLOR CHART			
	PHOTO NO			NO. 5			
	BASIC COLOR			Bright Red			
	CODE			Bright Red			
	PARTS NAME	PARTS NO.	VERSION	RR136PA			
1	SKIRT R SIDE	64305-LEJ2-E10	0	DDT			
2	SKIRT L SIDE	64306-LEJ2-E10	0				
3	CARRIER RR	81200-LEJ2-E10	0	N1A			
4	FENDER FR	61100-LEJ2-E10	0	R9P			
5	COVER FR	64301-LEJ2-E10	1	N1P			
6	COVER FR TOP	64309-LEJ2-E10	0				
7	COVER R SIDE	83520-LEJ2-E10	0				
8	COVER L SIDE	83620-LEJ2-E10	0				
9	COVER HANDLE FR	53205-LEJ2-E10	4				
10	MOLE R SIDE	64302-LEJ2-E10	0	R9P			
11	MOLE L SIDE	64303-LEJ2-E10	0				
12	COVER R BODY	83500-LEJ2-E10	0				
13	COVER L BODY	83600-LEJ2-E10	0				
14	COVER RR CENTER	83750-LEJ2-E10	0				
15	WHEEL ASSY RR	42600-LEJ3-E10	0	NEA			
16	WHEEL CAST RR	42601-LEJ2-E10	0				
17	WHEEL ASSY FR	44600-LEJ3-E10	0				
18	WHEEL CAST FR	44601-LEJ3-E10	0				
19	FORK ASSY RH FR	51400-LEJ2-E10	1				
20	BOTTOM CASE RH	51420-LEJ2-E10	0				
21	FORK ASSY LH FR	51500-LEJ2-E10	1				
22	BOTTOM CASE L	51520-LEJ2-E10	0	NH268			
23	STOPPER LUGGAGE	81133-KGBG-9000	0				
24	HOOK LUGGAGE	81134-KGBG-9000	2				
25	STRIPE K-LOGO 22MM	86102-LEJ2-E00	2	T01			
DATE OF STARTING-SALES							
DATE OF END-SALES							



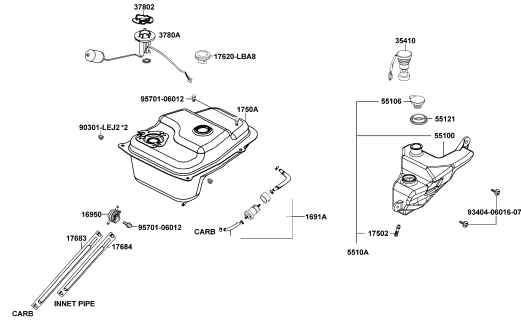




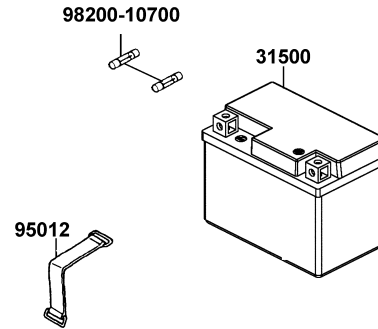


# CONTENTS - FRAME GROUP

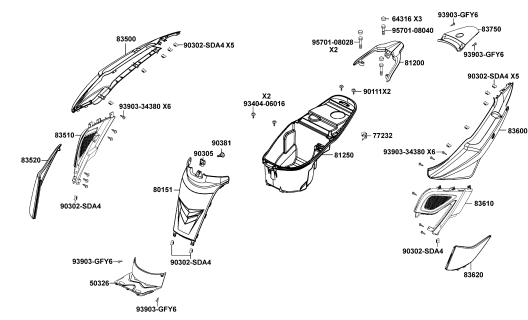
## F10 Fuel Tank



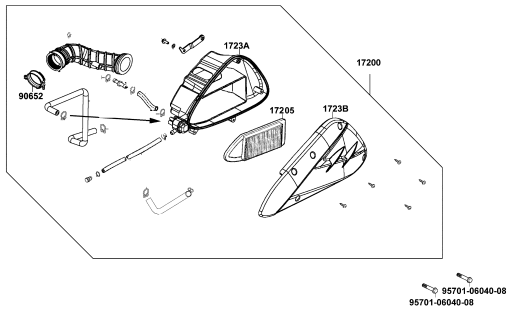
## F11 Battery



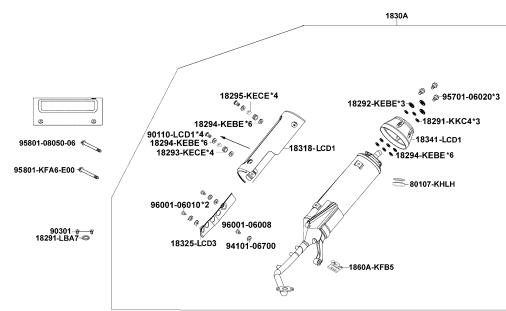
## F12 Body Cover Luggage Box



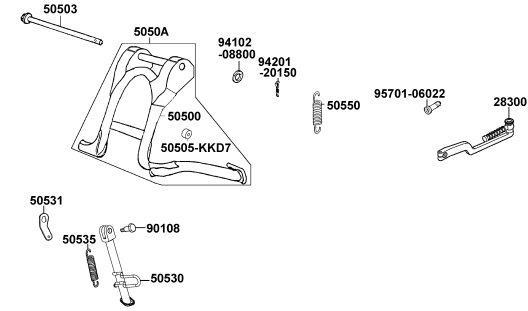
## F13 Air Cleaner



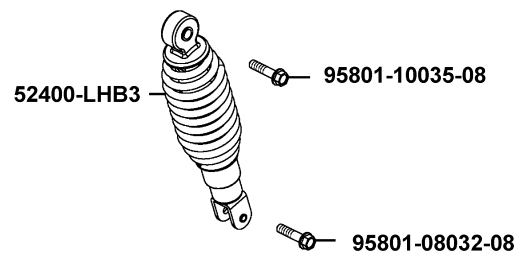
## F14 Exhaust Muffler



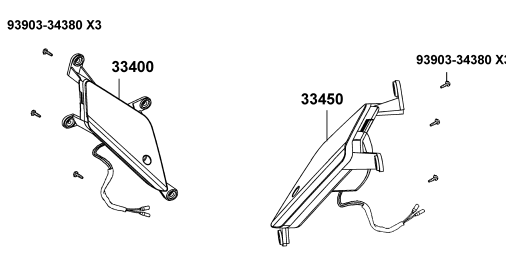
## F15 Stand Kick Starter Arm



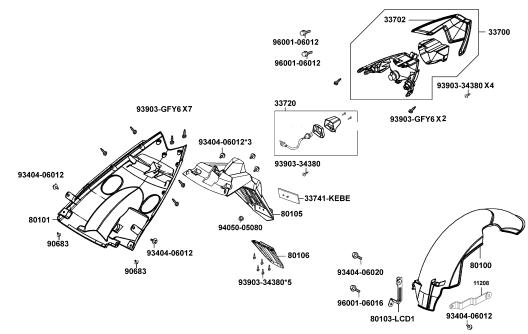
## F16 Rear Cushion



## F17 Front Winker

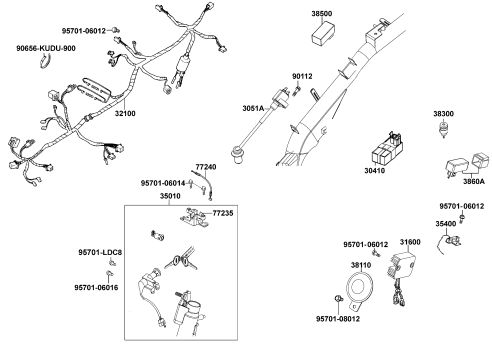


## F18 Tail Light

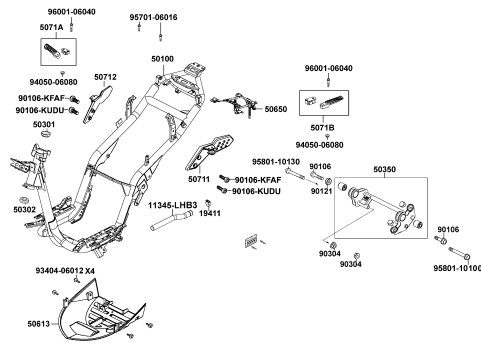


# CONTENTS - FRAME GROUP

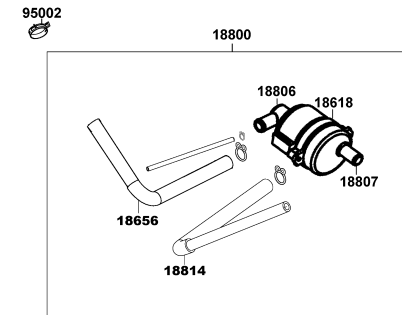
## F19 Wire Harness



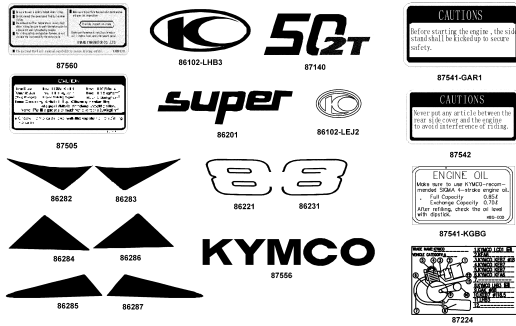
## F20 Frame Body



## F21 Air Cleaner Two



## F22 Emblem Stripe

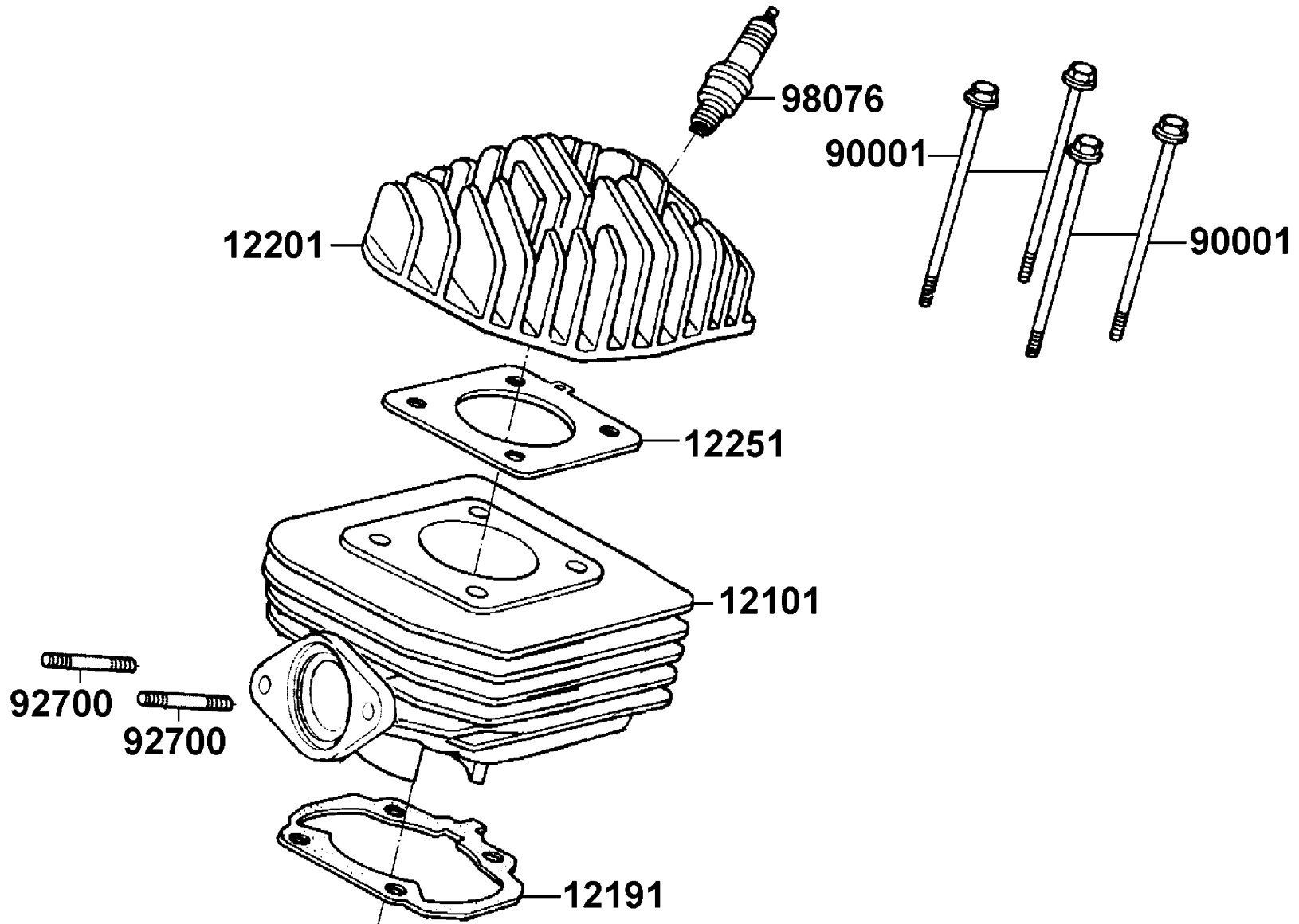




Sales mark	Ref no	Part no	Ver	Description	Reg description	Regd no	E01
	11100	11100-KEB7-900	8	CRANK CASE ASSY RIGHT	CRANK CASE ASSY RIGHT	1	
	11102	11102-1G87-0040	1	RUB BUSH ENG HANGER	RUB BUSH ENG HANGER	1	
	11200	11200-KFA6-900	2	CRANK CASE COMP LEFT	CRANK CASE COMP LEFT	1	
	11205	11205-KED5-900	0	BUSH M STAND	BUSH M STAND	1	
	14100	14100-KEB7-900	0	VALVE COMP REED	VALVE COMP REED	1	
	1621A	1621A-GKAK-901	0	INSULATOR CARB ASSY	INSULATOR CARB ASSY	1	
	17100	17100-KEB7-901	1	PIPE COMP INLET	PIPE COMP INLET	1	
	17111	17111-KEB7-900	0	GASKET INLET PIPE A	GASKET INLET PIPE A	1	
	17112	17112-KEB7-900	1	GASKET INLET PIPE B	GASKET INLET PIPE B	1	
	80102	80102-LCD1-E00	1	STAY A RR TIRE FENDER	STAY A RR TIRE FENDER	1	
	90120	90120-GAR1-J00	0	SOCKET BOLT SPECIAL 6*28	SOCKET BOLT SPECIAL 6*28	1	
#	90474	90474-3C33-001	1	WASHER 8MM	WASHER 8MM	1	
	91001	91001-GLW0-90A	6	BRG BALL RADIAL 6204 SPECIAL	BRG BALL RADIAL 6204 SPECIAL	1	
	91004-KBN2	91004-KBN2-90A	0	BRG BALL RADIAL 6201	BRG BALL RADIAL 6201	1	
	91004-KNBN	91004-KNBN-92A	0	BRG BALL RADIAL 6203	BRG BALL RADIAL 6203	1	
	91006	91006-KNBN-901	5	BRG BALL RADIAL 25*56*12	BRG BALL RADIAL 25*56*12	1	
	91201	91201-KNBN-92A	0	OIL SEAL 15.6*25.5*7	OIL SEAL 15.6*25.5*7	1	
	91202	91202-KNBN-92A	0	OIL SEAL 20*31*7	OIL SEAL 20*31*7	1	
	91204	91204-KNBN-90A	1	OIL SEAL 17*30*6	OIL SEAL 17*30*6	1	
	94301	94301-10200	0	DOWEL PIN 10*20	DOWEL PIN 10*20	6	



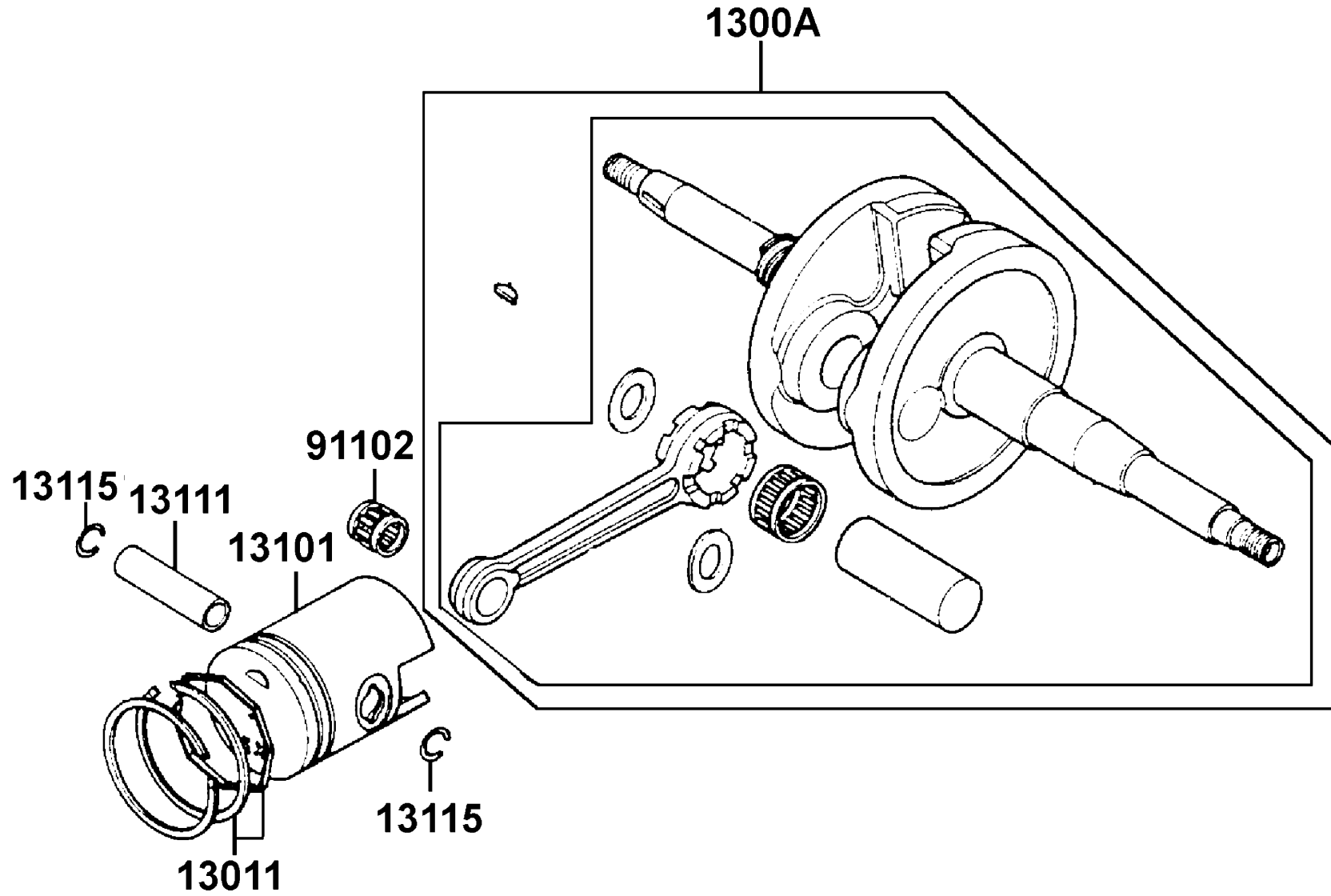
Sales mark	Ref no	Part no	Ver	Description	Reg description	Regd no	<b>E01</b>
	95701-06035	95701-06035-08	0	BOLT FLANGE SH 6*35	BOLT FLANGE SH 6*35	0	
	95701-06040	95701-06040-08	0	BOLT FLANGE 6*40	BOLT FLANGE 6*40	0	
#	95701-08012	95701-08012-08	0	BOLT FLANGE 8*12	BOLT FLANGE 8*12	2	
#	96001-06025	96001-06025-08	0	BOLT FLANGE SH 6*25	BOLT FLANGE SH 6*25	3	
	96001-06045	96001-06045-08	0	BOLT FLANGE SH 6*45	BOLT FLANGE SH 6*45	3	
	96001-06055	96001-06055-08	0	BOLT FLANGE SH 6*55	BOLT FLANGE SH 6*55	3	
	96100	96100-62033-00	0	BEARING BALL RADIAL 6203	BEARING BALL RADIAL 6203	1	



Sales mark	Ref no	Part no	Ver	Description	Reg description	Regd no	<b>E02</b>
	12101	12101-KEB7-901	2	CYLINDER	CYLINDER	1	
	12191	12191-KEB7-900	0	GASKET CYLINDER A	GASKET CYLINDER A	1	
	12201	12201-KEB7-900	1	HEAD CYLINDER	HEAD CYLINDER	1	
	12251	12251-KEB7-900	0	GASKET CYLINDER HEAD	GASKET CYLINDER HEAD	1	
	90001	90001-GKAK-901	0	BOLT FLANGE 7*100	BOLT FLANGE 7*100	4	
	92700	92700-06028-1B	0	BOLT STUD 6*28	BOLT STUD 6*28	2	
	98076	98076-5871G-00	0	SPARK PLUG (BR8HSA)	SPARK PLUG (BR8HSA)	1	

E03

Cylinder Piston Crankshaft

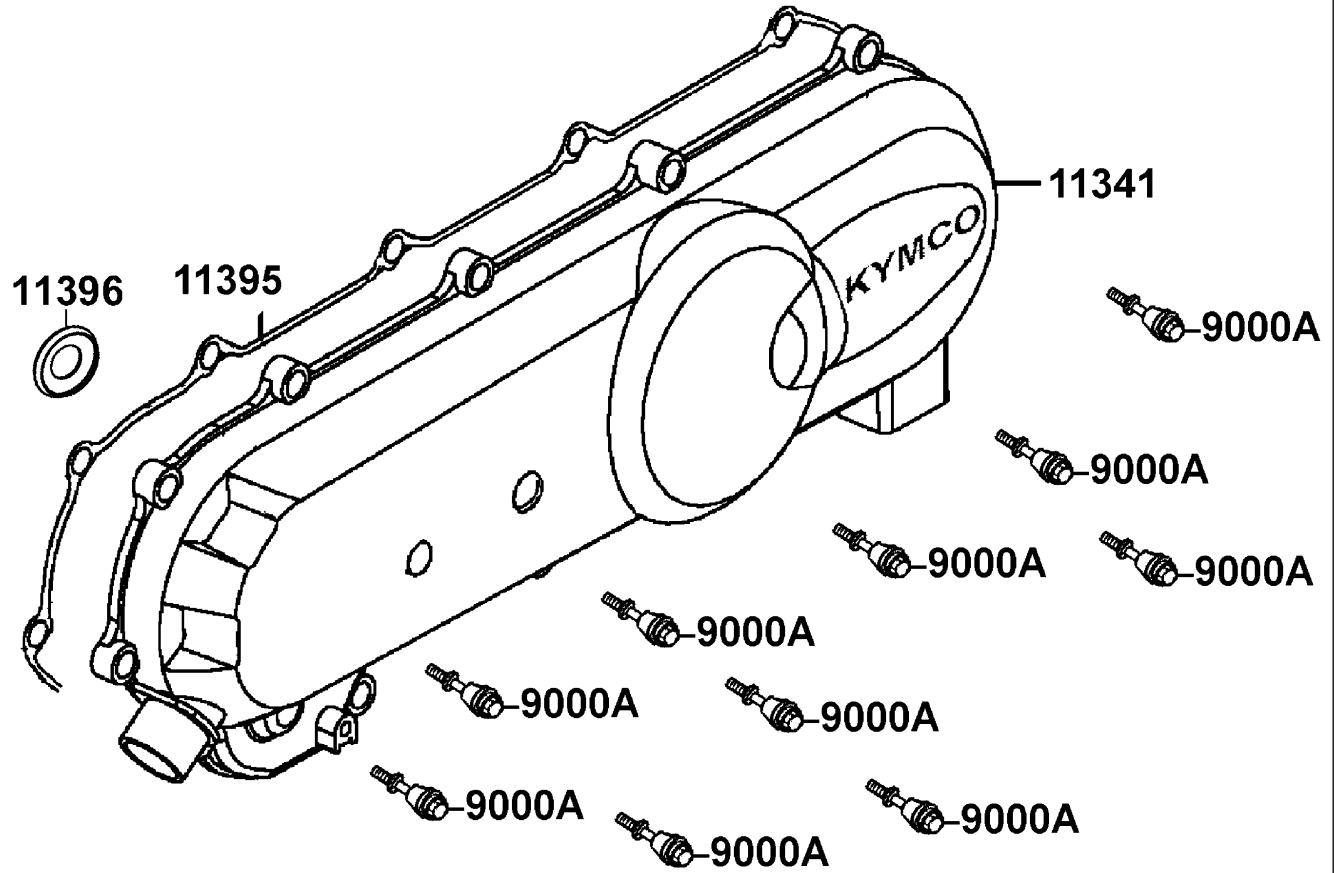


Sales mark	Ref no	Part no	Ver	Description	Reg description	Regd no	<b>E03</b>
1300A		1300A-GKAK-920	0	CRANK SHAFT ASSY	CRANK SHAFT ASSY	1	
13011		13011-GLW0-90A	4	PISTON RING SET	PISTON RING SET	1	
13101		13101-GLW0-901	2	PISTON	PISTON	1	
13111		13111-1F66-001	2	PIN PISTON	PIN PISTON	1	
13115		13115-1F56-001	0	CLIP PISTON PIN 12MM	CLIP PISTON PIN 12MM	2	
91102		91102-GLW0-009	0	BRG CON-ROD S. E.	BRG CON-ROD S. E.	1	

E04

Right Crankcase Cover

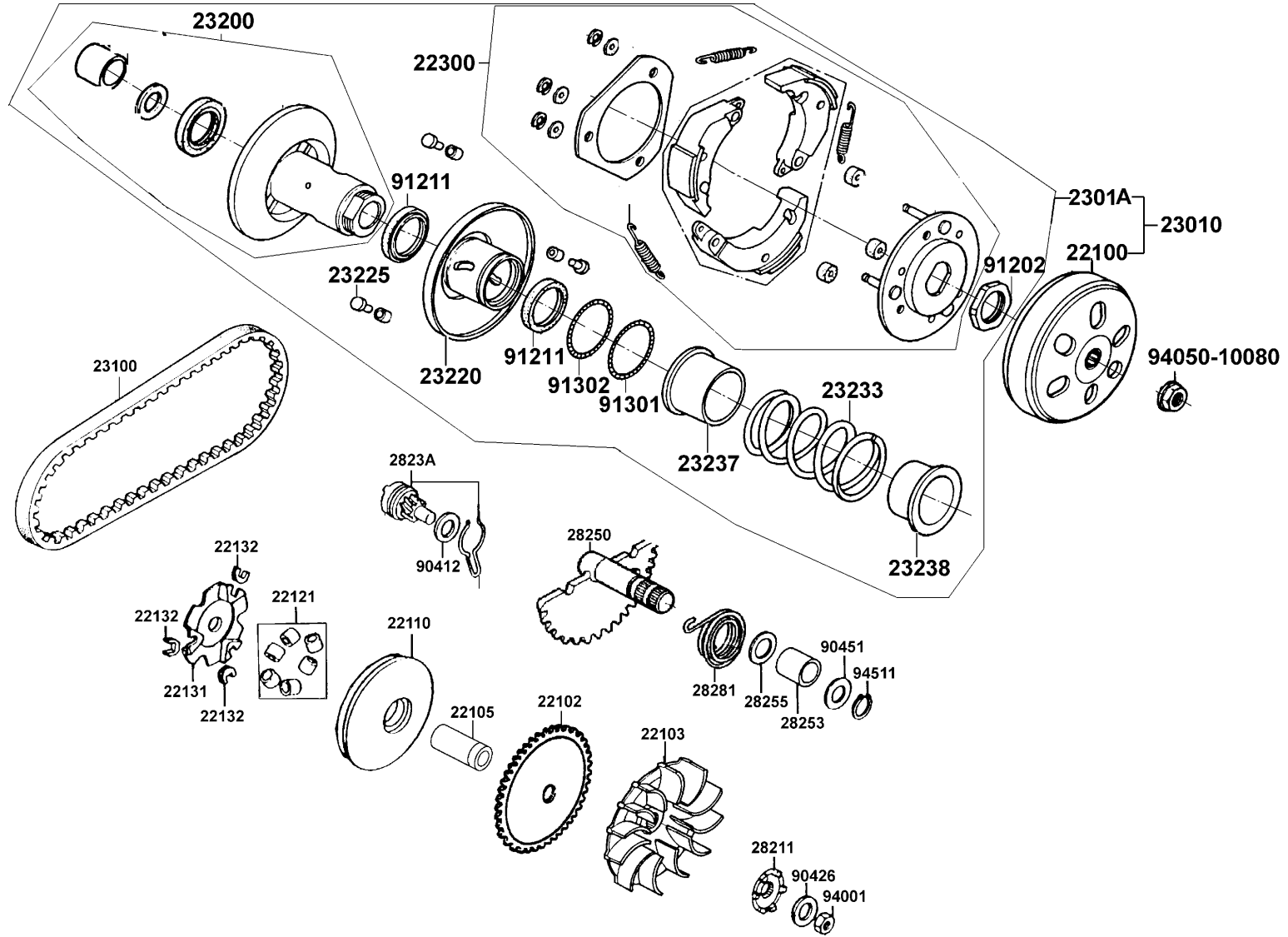
11205-GHAH



Sales mark	Ref no	Part no	Ver	Description	Reg description	Regd no	<b>E04</b>
	11205	11205-GHAH-004	0	BUSH 8*12*8	BUSH 8*12*8	1	
	11395	11395-KFA6-900	0	GASKET L COVER	GASKET L COVER	1	
	11396	11396-KFA6-900	0	GASKET L COVER	GASKET L COVER	1	
	9000A	9000A-KTDT-900	1	BOLT ASSY SPECIAL 6*29.5	BOLT ASSY SPECIAL 6*29.5	10	

E05

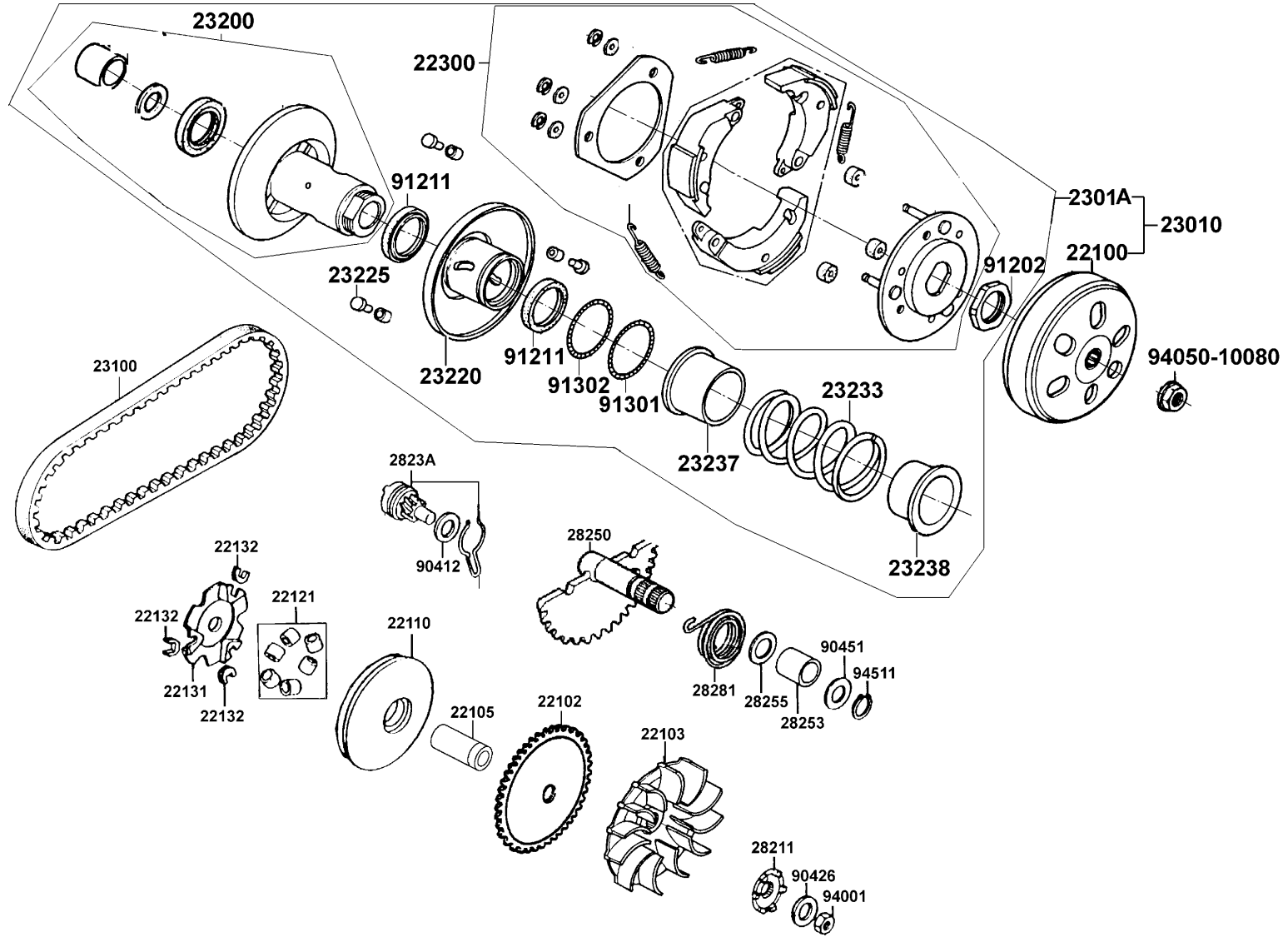
# Driven Pulley



Sales mark	Ref no	Part no	Ver	Description	Reg description	Regd no	<b>E05</b>
	22100	22100-GAR1-751	0	CLUTCH OUTER	CLUTCH OUTER	1	
	22102	22102-KEB7-900	0	FACE DRIVE	FACE DRIVE	1	
	22103	22103-KEB7-900	0	FAN CVT COOLING	FAN CVT COOLING	1	
	22105	22105-KEB7-E00	1	BOSS DRIVE FACE	BOSS DRIVE FACE	1	
	22110	22110-KFA1-220	0	FACE COMP MOVABLE DRIVE	FACE COMP MOVABLE DRIVE	1	
	22121	22121-GLW0-901	2	ROLLER COMP WEIGHT 8.5 gr	ROLLER COMP WEIGHT 8.5 gr	6	
	22131	22131-GHAH-781	0	PLATE RAMP	PLATE RAMP	1	
	22132	22132-GLW0-001	2	PIECE SLIDE	PIECE SLIDE	3	
	22300	22300-KXCX-900	2	PLATE ASSY DRIVE	PLATE ASSY DRIVE	1	
	23010	23010-KEB7-220	0	PULLEY ASSY DRIVEN	PULLEY ASSY DRIVEN	1	
	2301A	2301A-KEB7-220	0	PULLEY SUB ASSY	PULLEY SUB ASSY	1	
	23100	23100-KEB7-900	0	BELT DRIVE	BELT DRIVE	1	
	23200	23200-GAR1-220	1	FACE ASSY DRIVEN	FACE ASSY DRIVEN	1	
	23220	23220-GKAK-220	1	FACE COMP MOVABLE DRIVEN	FACE COMP MOVABLE DRIVEN	1	
	23225	23225-GAR1-751	0	PIN GUIDE	PIN GUIDE	3	
	23233	23233-GHE8-001	2	SPG DRIVEN FACE	SPG DRIVEN FACE	1	
	23237	23237-GAR1-220	0	COLLAR SEAL	COLLAR SEAL	1	
	23238	23238-GGS7-011	0	COLLAR SPG	COLLAR SPG	1	
	28211	28211-KEB7-900	1	RATCHET KICK STARTER	RATCHET KICK STARTER	1	
	2823A	2823A-GKAK-900	0	GEAR ASSY KICK DRIVEN	GEAR ASSY KICK DRIVEN	1	

E05

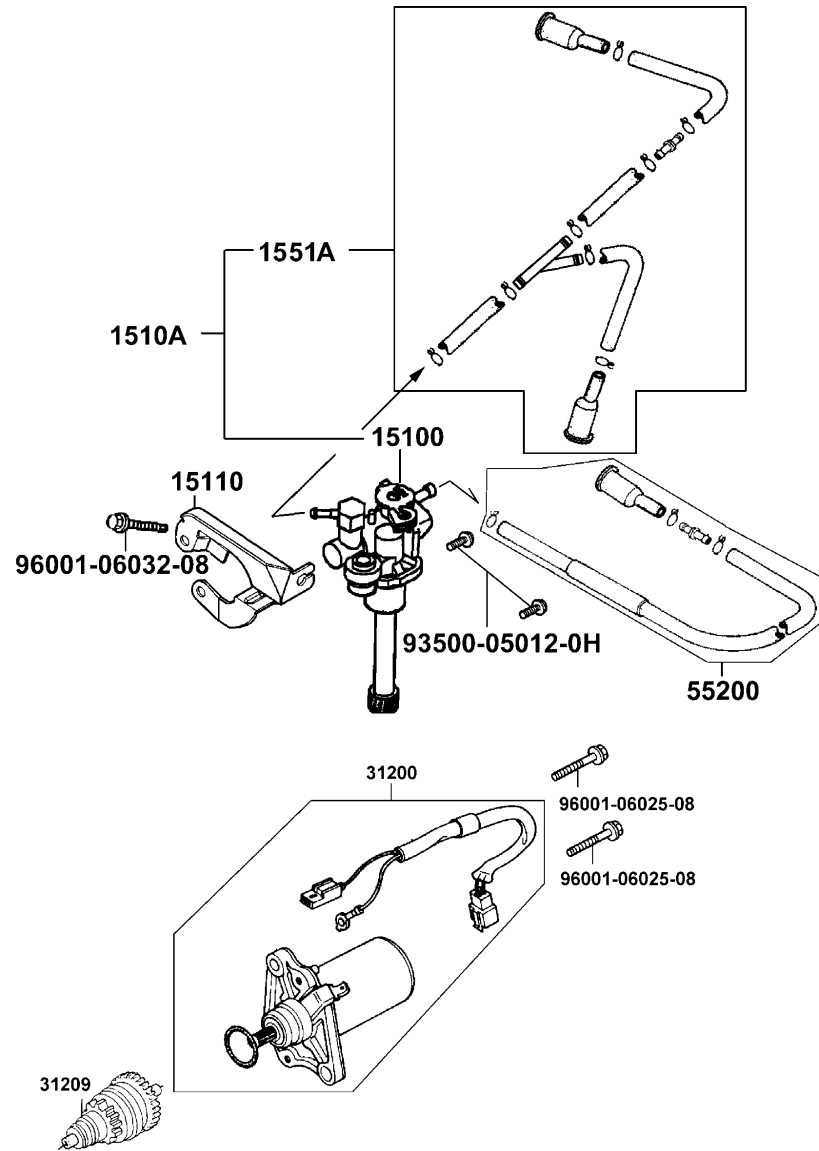
# Driven Pulley



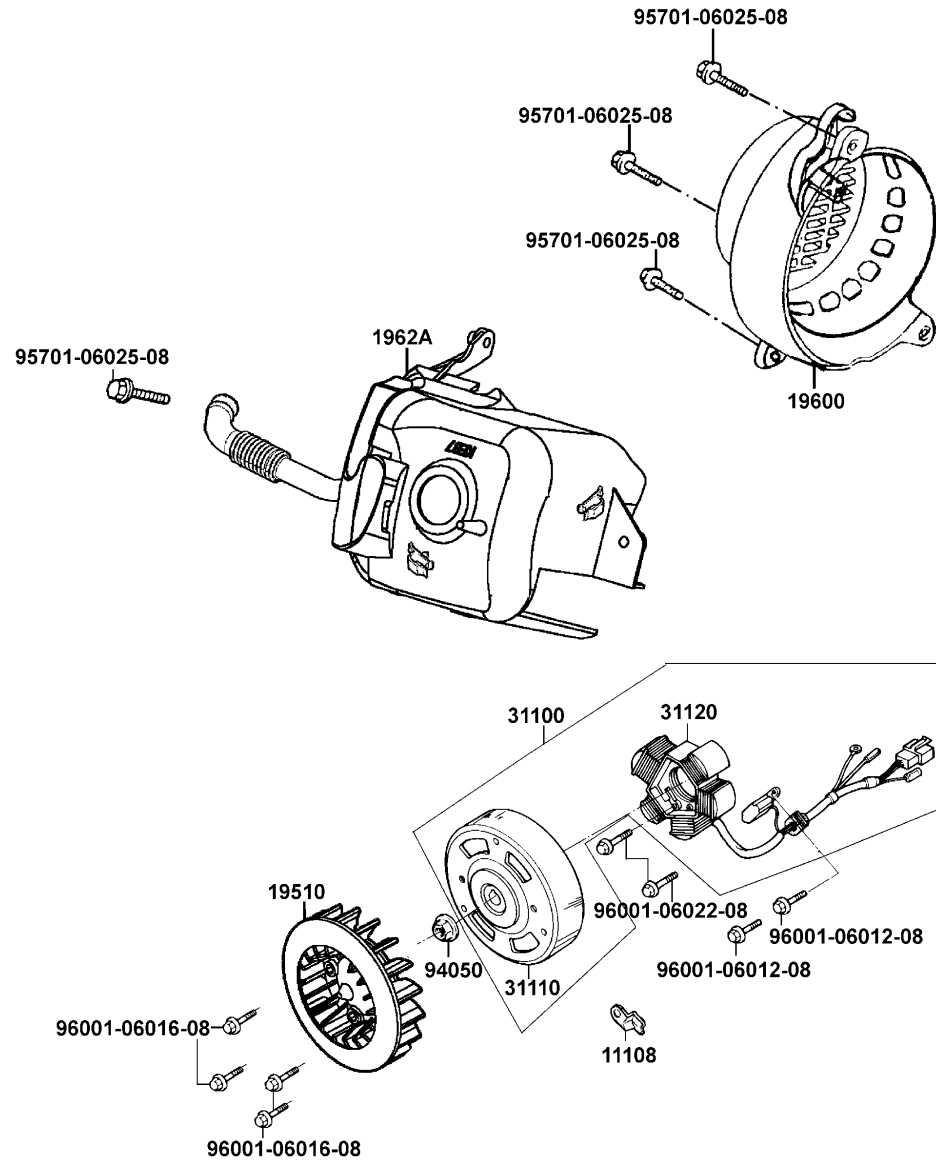
Sales mark	Ref no	Part no	Ver	Description	Reg description	Regd no	<b>E05</b>
	28250	28250-KCCC-900	2	SPINDLE COMP KICK STARTER	SPINDLE COMP KICK STARTER	1	
	28253	28253-GBN2-60A	0	BUSH KICK SPINDLE	BUSH KICK SPINDLE	1	
	28255	28255-GFS6-001	0	COLLAR KICK BOSS	COLLAR KICK BOSS	1	
	28281	28281-GBN2-60A	1	SPRING KICK RETURN	SPRING KICK RETURN	1	
	90412	90412-3K29-001	0	WASHER THRUST10MM	WASHER THRUST10MM	1	
	90426	90426-KNBN-901	0	WASHER SPECIAL 12MM	WASHER SPECIAL 12MM	1	
	90451	90451-GBN2-601	0	WASHER KICK SPINDLE	WASHER KICK SPINDLE	1	
	91202	91202-KNBN-92A	0	OIL SEAL 20*31*7	OIL SEAL 20*31*7	0	
	91211	91211-GHK8-014	0	OIL SEAL 34*39*3	OIL SEAL 34*39*3	2	
	91301	91301-KEA5-742	0	O-RING 36*1.5	O-RING 36*1.5	1	
	91302	91302-PKA9-004	0	O-RING 39.8*2.2	O-RING 39.8*2.2	1	
	94001	94001-12280-0S	0	NUT HEX 12MM	NUT HEX 12MM	1	
	94050	94050-10080	0	NUT FLANGE 10MM	NUT FLANGE 10MM	1	
	94511	94511-14000	0	CIRCLIP EX 14	CIRCLIP EX 14	1	

E06

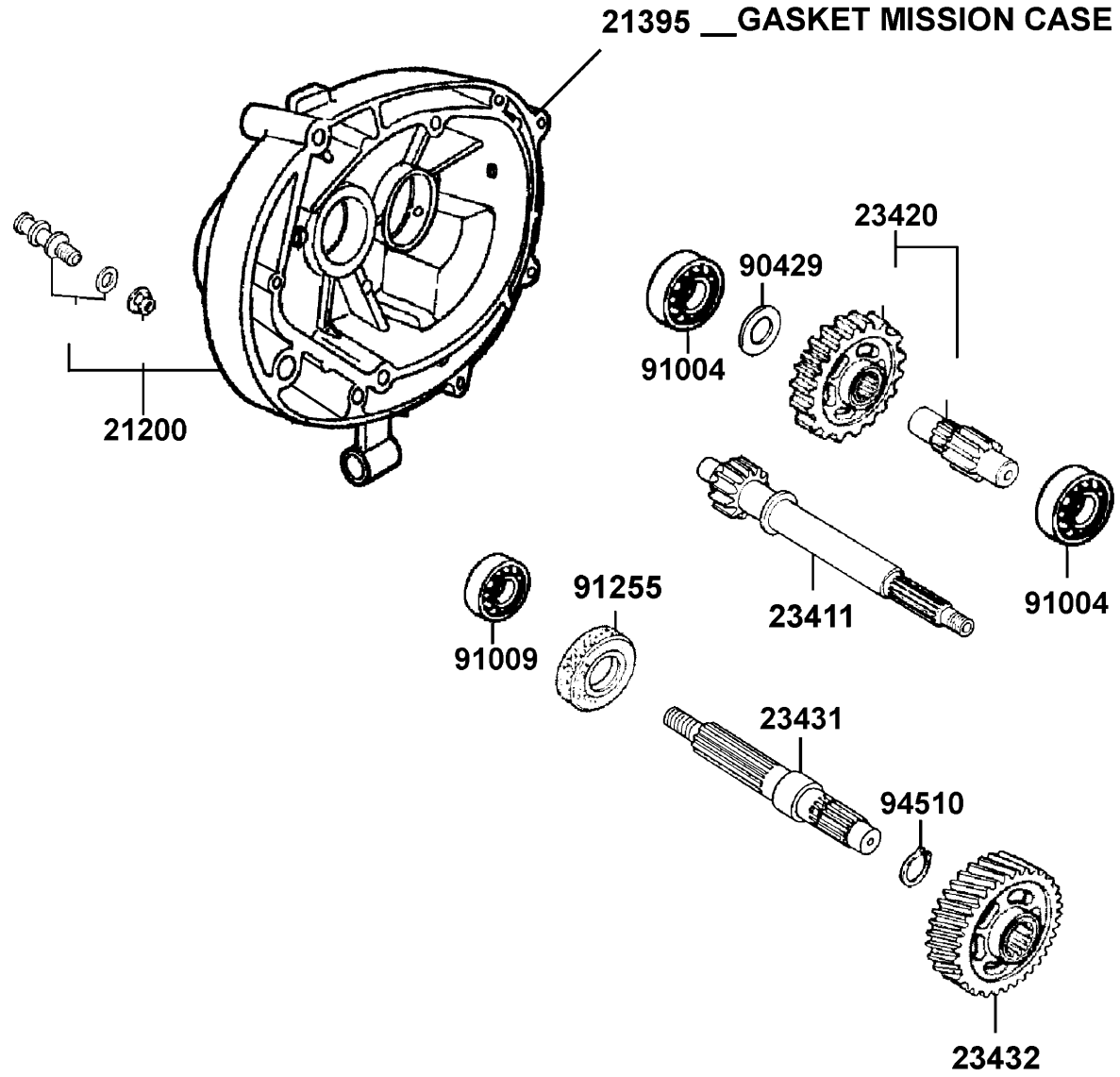
# Starting Motor Oil Pump



Sales mark	Ref no	Part no	Ver	Description	Reg description	Regd no	<b>E06</b>
	15100	15100-KEB7-E00	0	PUMP ASSY OIL	PUMP ASSY OIL	1	
	1510A	1510A-LCD1-E00	1	OIL PUMP ASSY	OIL PUMP ASSY	1	
	15110	15110-KEB7-900	0	PLATE OIL PUMP SET	PLATE OIL PUMP SET	1	
	1551A	1551A-LCD1-E00	1	"TUBE ASSY,OIL PUMP ASSY "	"TUBE ASSY,OIL PUMP ASSY "	1	
	31200	31200-LHB3-E10	0	MOTOR ASSY START	MOTOR ASSY START	0	
	31209	31209-GKAK-901	3	PINION ASSY STARTER	PINION ASSY STARTER	0	
	55200	55200-LCD1-E00	1	TUBE ASSY OIL	TUBE ASSY OIL	1	
	93500	93500-05012-0H	0	SCREW PAN 5*12	SCREW PAN 5*12	2	
#	96001-06025	96001-06025-08	0	BOLT FLANGE SH 6*25	BOLT FLANGE SH 6*25	0	
	96001-06032	96001-06032-08	0	BOLT FLANGE SH 6*32	BOLT FLANGE SH 6*32	1	



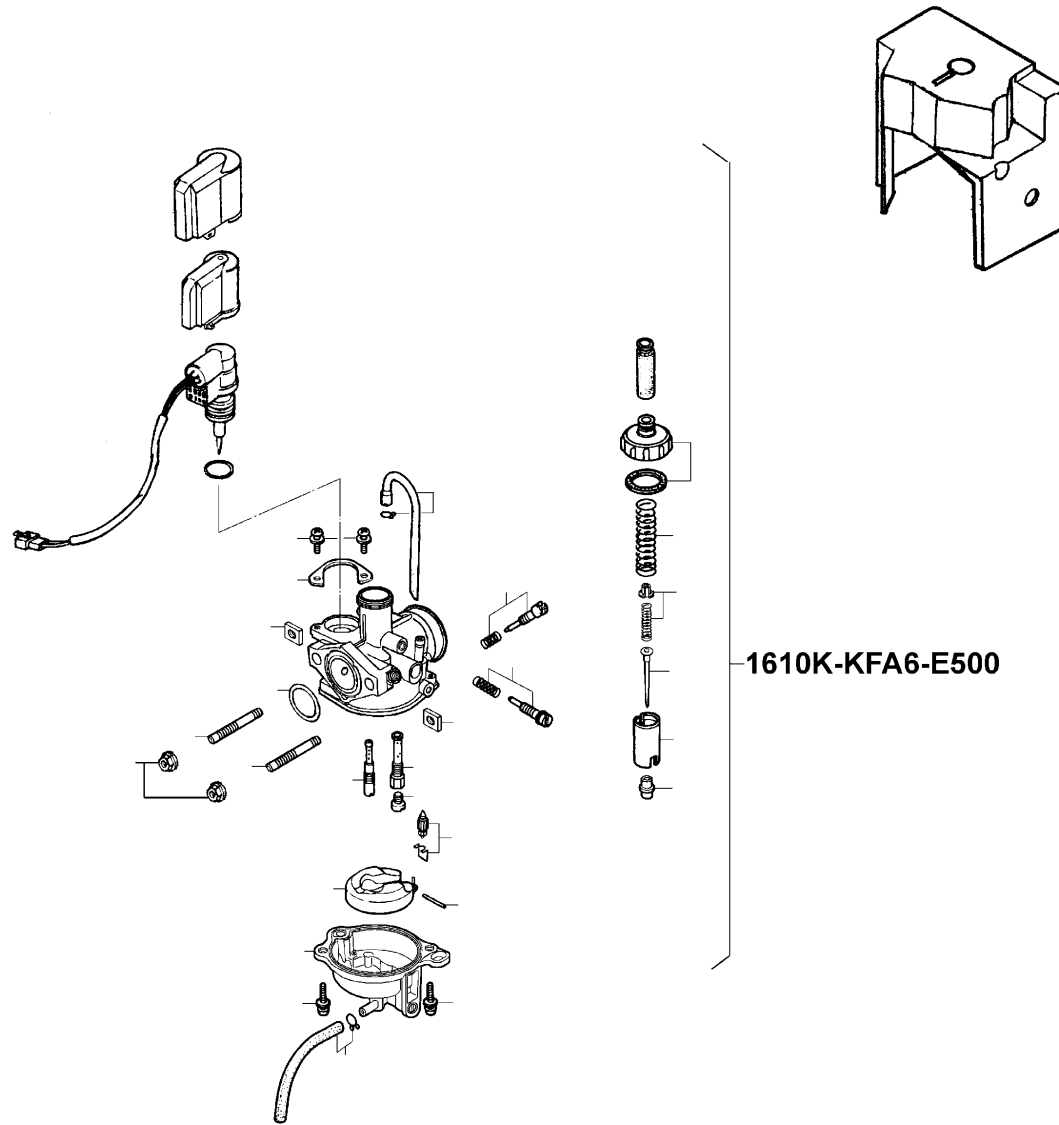
Sales mark	Ref no	Part no	Ver	Description	Reg description	Regd no	<b>E07</b>
	11108	11108-KEB7-900	0	HOLDER STATOR WIRE	HOLDER STATOR WIRE	1	
	19510	19510-GBW2-901	3	FAN COMP COOLING	FAN COMP COOLING	1	
	19600	19600-KEB7-900	0	COVER COMP FAN	COVER COMP FAN	1	
	1962A	1962A-KEB7-E00	1	CLIP SET SHROUD	CLIP SET SHROUD	1	
	31100	31100-LHB3-E10	0	AC GEN ASSY	AC GEN ASSY	1	
	31110	31110-KEB7-90A	2	FLYWHEEL COMP	FLYWHEEL COMP	1	
	31120	31120-LHB3-E10	1	STATOR COMP.	STATOR COMP.	1	
	94050	94050-10080	0	NUT FLANGE 10MM	NUT FLANGE 10MM	1	
	95701	95701-06025-08	0	BOLT FLANGE 6*25	BOLT FLANGE 6*25	4	
#	96001-06012	96001-06012-08	0	BOLT FLANGE 6*12	BOLT FLANGE 6*12	2	
	96001-06016	96001-06016-08	0	BOLT FLANGE SH 6*16	BOLT FLANGE SH 6*16	4	
#	96001-06022	96001-06022-08	0	BOLT FLANGE SH 6*22	BOLT FLANGE SH 6*22	2	



Sales mark	Ref no	Part no	Ver	Description	Reg description	Regd no	<b>E08</b>
	21200	21200-KFA6-900	0	CASE COMP MISSION	CASE COMP MISSION	1	
	21395	21395-KFA6-900	0	GASKET MISSION CASE A	GASKET MISSION CASE A	1	
	23411	23411-KFA6-900	0	SHAFT DRIVE	SHAFT DRIVE	1	
	23420	23420-KFA6-900	0	SHAFT COMP COUNTER	SHAFT COMP COUNTER	1	
	23431	23431-LHB3-E10	0	"SHAFT, FINAL"	"SHAFT, FINAL"	1	
	23432	23432-KFA6-900	0	GEAR FINAL	GEAR FINAL	1	
	90429	90429-KNBN-901	0	WASHER SIDE 12MM	WASHER SIDE 12MM	1	
	91004	91004-KBN2-90A	0	BRG BALL RADIAL 6201	BRG BALL RADIAL 6201	2	
	91009	91009-GLE0-004	1	BRG BALL RADIAL 6004 UU	BRG BALL RADIAL 6004 UU	1	
#	91255	91255-GLE0-004	0	OIL SEAL 27*42*7	OIL SEAL 27*42*7	1	
	94510	94510-20000	0	CIR CLIP EX 20	CIR CLIP EX 20	1	

E09

Carburetor

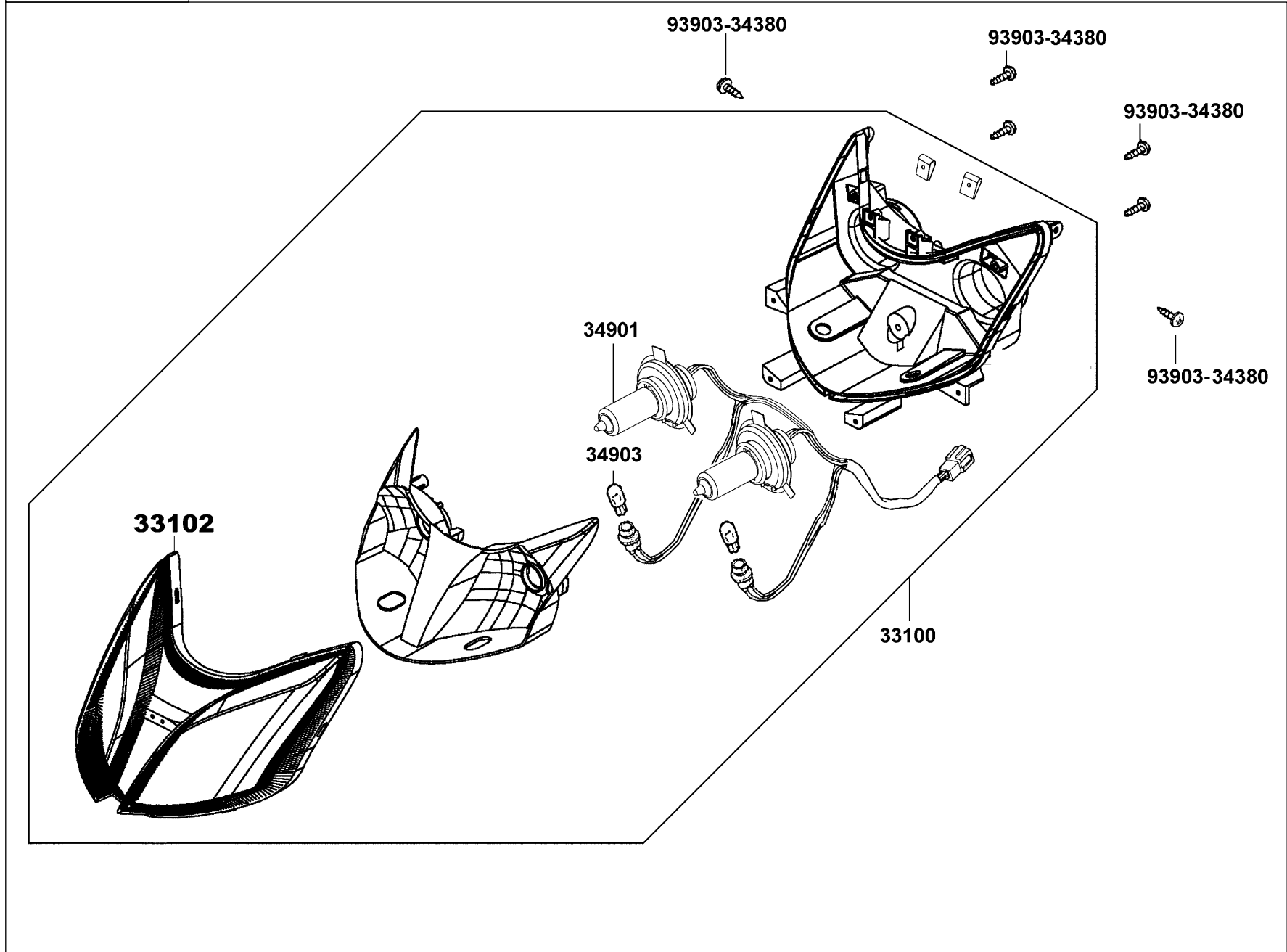


Sales mark	Ref no	Part no	Ver	Description	Reg description	Regd no	<b>E09</b>
------------	--------	---------	-----	-------------	-----------------	---------	------------

1610K	1610K	KFA6-E05	1	CARBURETOR ASSY	CARBURETOR ASSY	1	
-------	-------	----------	---	-----------------	-----------------	---	--

F01

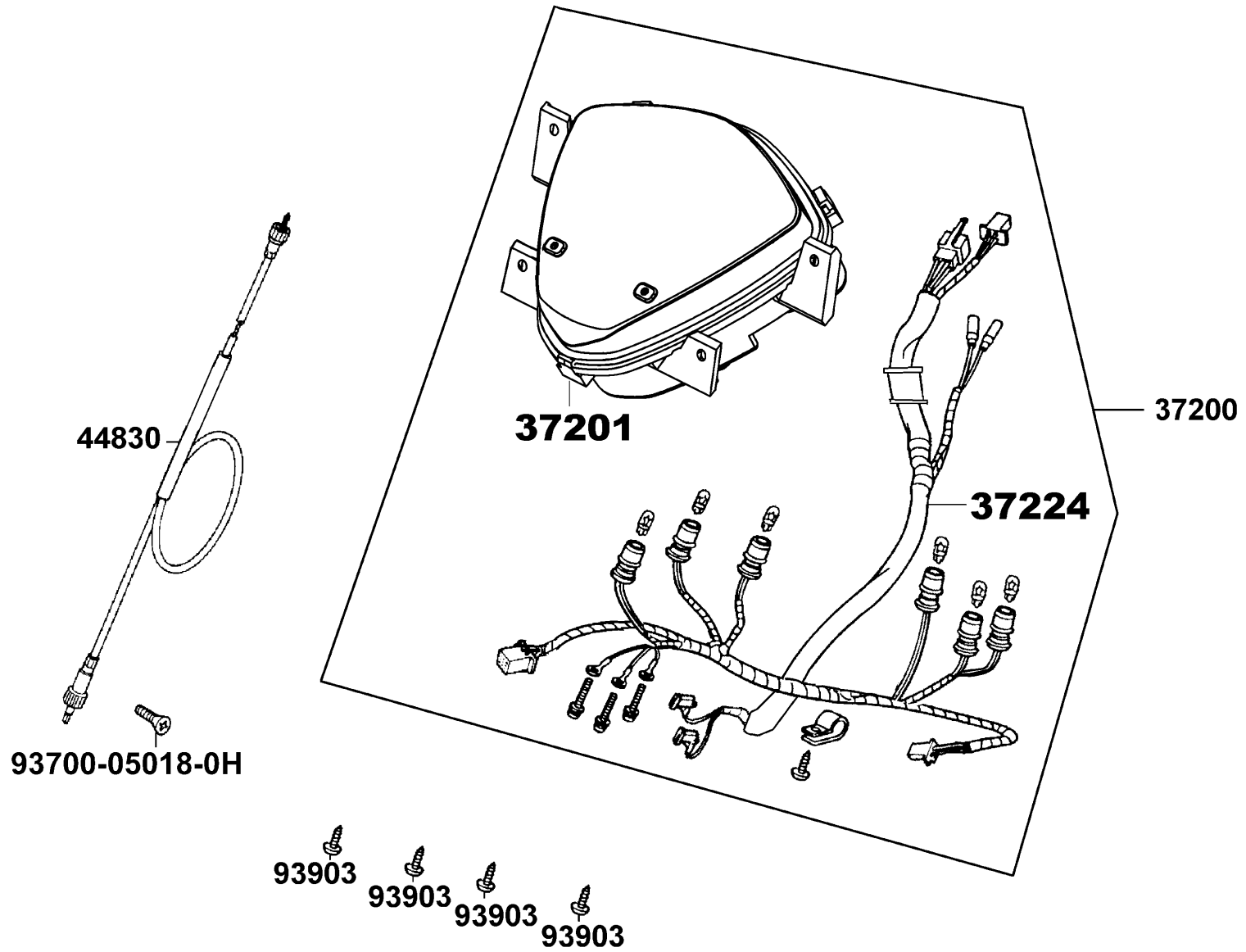
Head Light



Sales mark	Ref no	Part no	Ver	Description	Reg description	Regd no	<b>F01</b>
	33100	33100-LHB3-E10	0	LIGHT ASSY HEAD	LIGHT ASSY HEAD	1	
	33102	33102-LHB3-E10	0	"LENS,HEAD LIGHT"	"LENS,HEAD LIGHT"	1	
	34901	34901-LDC8-E10	0	BULB HEAD LIGHT	BULB HEAD LIGHT	2	
	34903	34903-LDC8-E10	0	BULB POSITION	BULB POSITION	2	
	93903-34380	93903-34380	0	SCREW TAPPING 4*12	SCREW TAPPING 4*12	6	

F02

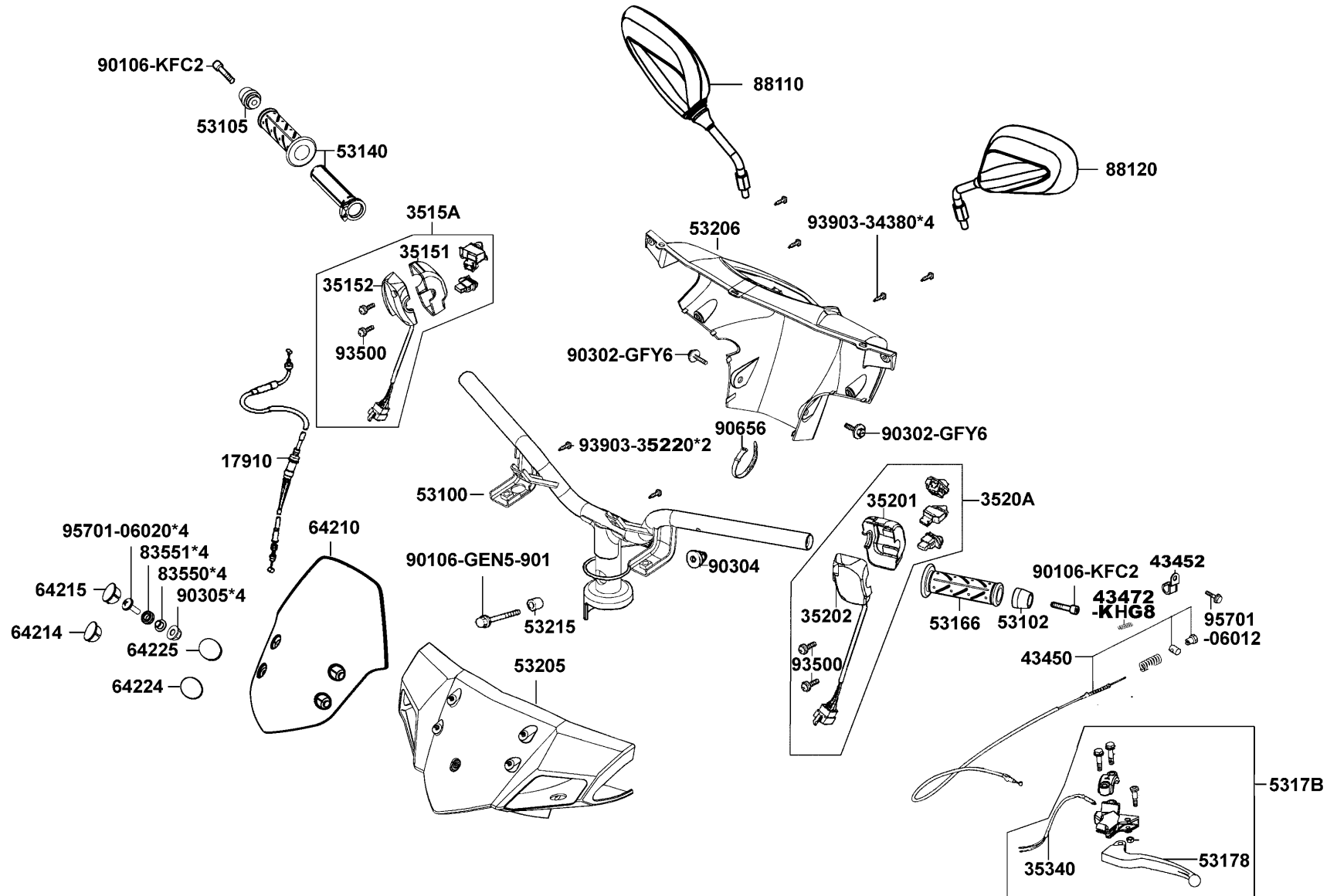
Speedometer



Sales mark	Ref no	Part no	Ver	Description	Reg description	Regd no	<b>F02</b>
	37200	37200-LHB3-E1A	0	"METER ASS'Y.,SPEED"	"METER ASS'Y.,SPEED"	1	
	37201	37201-LHB3-E1A	0	DIAL DESGIN SP & FUEL	DIAL DESGIN SP & FUEL	1	
	37224	37224-LHB3-E10	1	"SOCKET COMP.,METER"	"SOCKET COMP.,METER"	1	
	44830	44830-LCD3-E00	4	CABLE COMP SPDMT	CABLE COMP SPDMT	1	
	93700	93700-05018-0H	0	SCREW OVAL 5*18	SCREW OVAL 5*18	1	
	93903	93903-35220	0	SCREW TAPPING 5*12	SCREW TAPPING 5*12	0	

F03

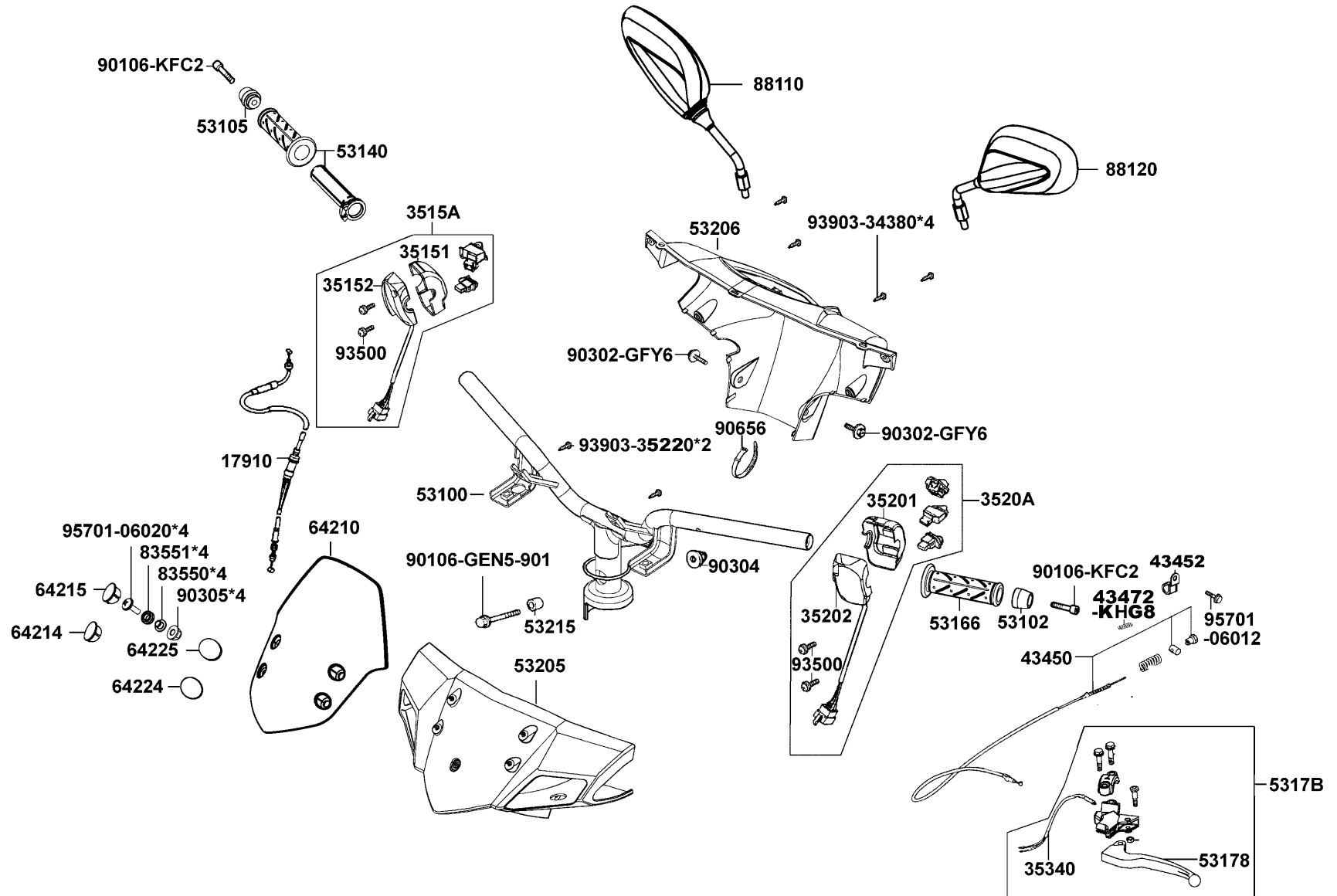
# Handle Steering Handle Cover



Sales mark	Ref no	Part no	Ver	Description	Reg description	Regd no	F03
	17910	17910-LHB3-E10	0	"CABLE COMP.,THROT"	"CABLE COMP.,THROT"	1	
	35151	35151-LGB5-E10	1	FR CASE RH HNDL COMP SW	FR CASE RH HNDL COMP SW	1	
	35152	35152-KGBG-900	2	RR CASE RH HNDL COMP SW	RR CASE RH HNDL COMP SW	1	
	3515A	3515A-LGB5-E10	3	SW ASSY RH HNDL COMP	SW ASSY RH HNDL COMP	1	
	35201	35201-LGB5-E10	1	FR CASE LH HNDL COMP SW	FR CASE LH HNDL COMP SW	1	
	35202	35202-KGBG-900	3	RR CASE LH HNDL COMP SW	RR CASE LH HNDL COMP SW	1	
	3520A	3520A-LEJ2-E10	0	"SW ASS'Y.,LH HANDLE COMP"	"SW ASS'Y.,LH HANDLE COMP"	1	
	35340	35340-KKJ9-010	5	SW ASSY FR STOP	SW ASSY FR STOP	1	
	43450	43450-LHB3-E10	0	CABLE COMPRR BRK	CABLE COMPRR BRK	1	
	43452	43452-GKAK-901	0	CLAMP BRK CABLE	CLAMP BRK CABLE	1	
	43472-KHG8	43472-KHG8-001	1	SPG RR BRK ARM	SPG RR BRK ARM	1	
	53100	53100-LEJ2-E10	3	HANDLE COMP STRG	HANDLE COMP STRG	1	
**	53102	53102-KEC8-900	0	END L STRG HANDLE	END L STRG HANDLE	1	
**	53105	53105-LBB5-E00	2	END R STRG HANDLE	END R STRG HANDLE	1	
	53140	53140-LEJ2-E10	0	GRIP COMP THROT	GRIP COMP THROT	1	
	53166	53166-LEJ2-E10	0	GRIP L HANDLE	GRIP L HANDLE	1	
	5317B	5317B-LCD1-E00	2	BRACKET ASSY HANDLE LH	BRACKET ASSY HANDLE LH	1	
**	53205	53205-LEJ2-E10	4	COVER HANDLE FR	COVER HANDLE FR	1	
	53206	53206-LEJ2-E10	0	COVER HANDLE RR	COVER HANDLE RR	1	
	64210	64210-LEJ2-E10	0	ASSY METER VISOR	ASSY METER VISOR	1	

F03

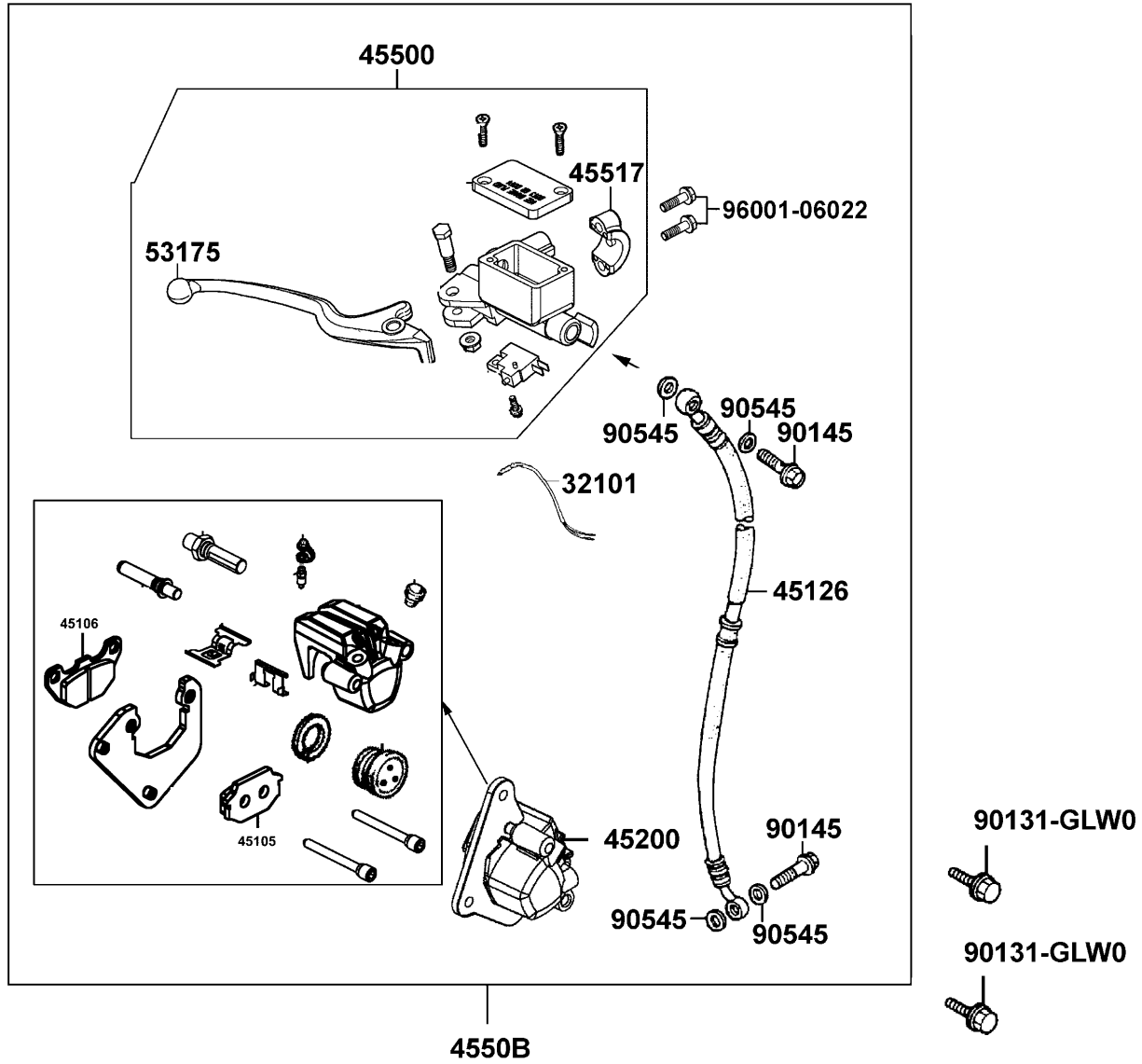
# Handle Steering Handle Cover



Sales mark	Ref no	Part no	Ver	Description	Reg description	Regd no	F03
	64214	64214-LEJ2-E10	0	COVER R UP VISOR	COVER R UP VISOR	1	
	64215	64215-LEJ2-E10	0	COVER R DOWN VISOR	COVER R DOWN VISOR	1	
	64224	64224-LEJ2-E10	0	COVER L UP VISOR	COVER L UP VISOR	1	
	64225	64225-LEJ2-E10	0	COVER L DOWN VISOR	COVER L DOWN VISOR	1	
	83550	83550-KEC8-900	0	COLLAR	COLLAR	4	
	83551	83551-KEC8-900	0	GROMMET COVER	GROMMET COVER	4	
	88110	88110-LEB5-C10	1	MIRROR ASSY R BACK	MIRROR ASSY R BACK	1	
	88120	88120-LEB5-C10	1	MIRROR ASSY L BACK	MIRROR ASSY L BACK	1	
	90106-GEN5	90106-GEN5-901	0	BOLT FLANGE 10*50	BOLT FLANGE 10*50	1	
	90106-KFC2	90106-KFC2-900	0	BOLT WASH 8MM	BOLT WASH 8MM	2	
	90302	90302-GFY6-901	1	BOLT WASH 5*12	BOLT WASH 5*12	2	
#	90304	90304-GHE8-004	0	NUT U 10MM	NUT U 10MM	1	
	90305	90305-GHK8-001	1	NUT CLIP 6MM	NUT CLIP 6MM	4	
#	90656	90656-GFY6-911	0	BAND OIL HOSE	BAND OIL HOSE	1	
	93500	93500-05025	0	SCREW PAN 5*25	SCREW PAN 5*25	4	
	93903-34380	93903-34380	0	SCREW TAPPING 4*12	SCREW TAPPING 4*12	4	
	93903-35220	93903-35220	0	SCREW TAPPING 5*12	SCREW TAPPING 5*12	2	
#	95701-06012	95701-06012-08	0	BOLT FLANGE 6*12	BOLT FLANGE 6*12	1	
	95701-06020	95701-06020-08	0	SCREW FLANGE 6*20	SCREW FLANGE 6*20	4	

F04

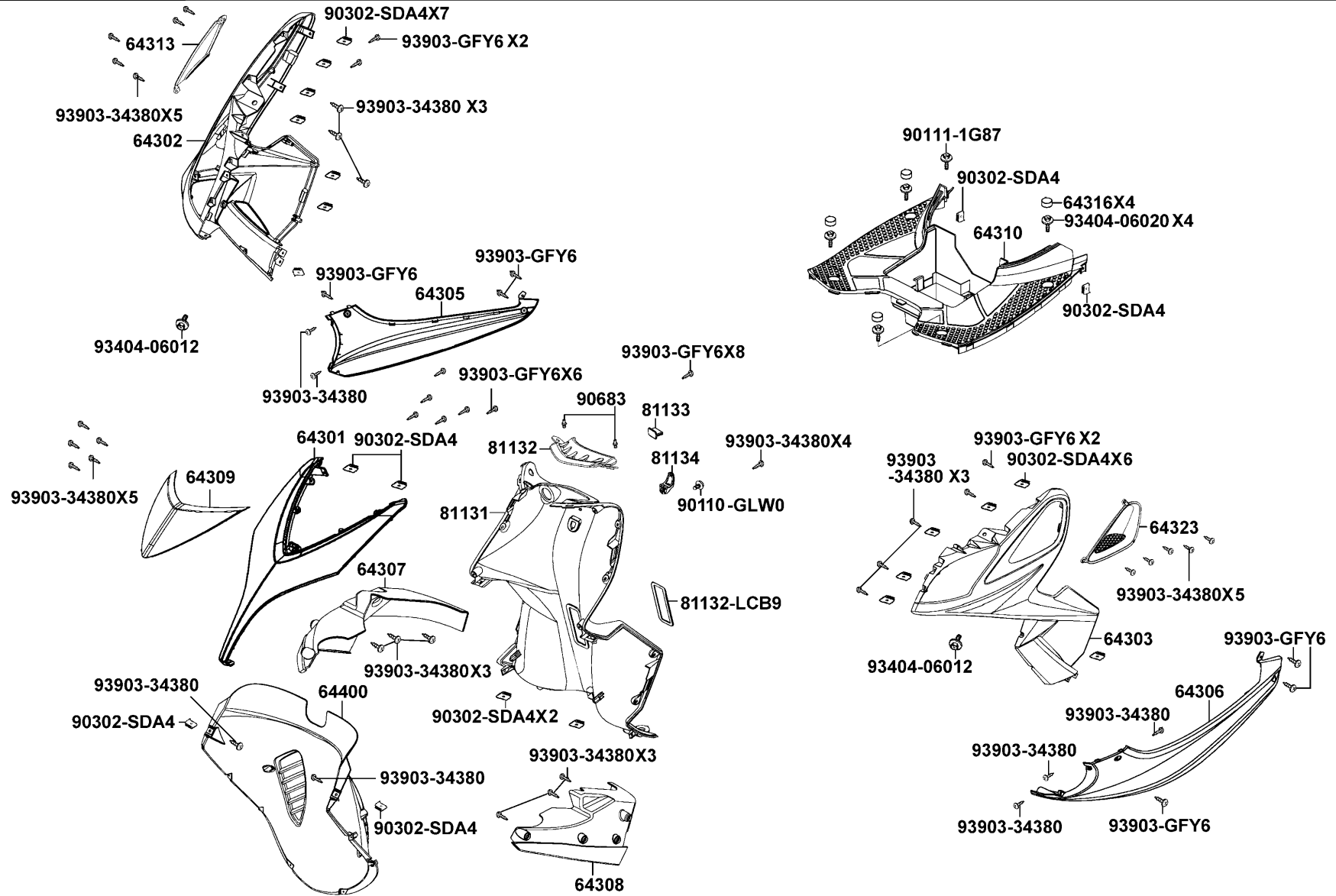
# Brake Master Cylinder



Sales mark	Ref no	Part no	Ver	Description	Reg description	Regd no	<b>F04</b>
	32101	32101-GFY6-901	1	SUB CORD R/H	SUB CORD R/H	1	
	45105	45105-LEJ2-E10	0	PAD COMPA	PAD COMPA	1	
	45106	45106-LEJ2-E10	0	PAD COMPB	PAD COMPB	1	
	45126	45126-LEJ2-E10	3	HOSE ASSY FR BRK	HOSE ASSY FR BRK	1	
	45200	45200-LEJ2-E1B	0	CALIPER ASSY FR LH	CALIPER ASSY FR LH	1	
	45500	45500-LDC8-E10	1	M/C ASSY FR	M/C ASSY FR	1	
	4550B	4550B-LEJ2-E10	0	SUB ASSY FR BRK	SUB ASSY FR BRK	1	
	45517	45517-KFAF-910	0	HOLDER M/C	HOLDER M/C	1	
	53175	53175-LDC8-E10	1	LEVER R STRG HNDL	LEVER R STRG HNDL	1	
	90131	90131-GLW0-911	0	BOLT FLANGE 8*35	BOLT FLANGE 8*35	2	
	90145	90145-9A61-011	1	OIL BOLT 10*22	OIL BOLT 10*22	2	
	90545	90545-3L00-001	2	WASHER OIL BOLT	WASHER OIL BOLT	4	
#	96001-06022	96001-06022-08	0	BOLT FLANGE SH 6*22	BOLT FLANGE SH 6*22	0	

F05

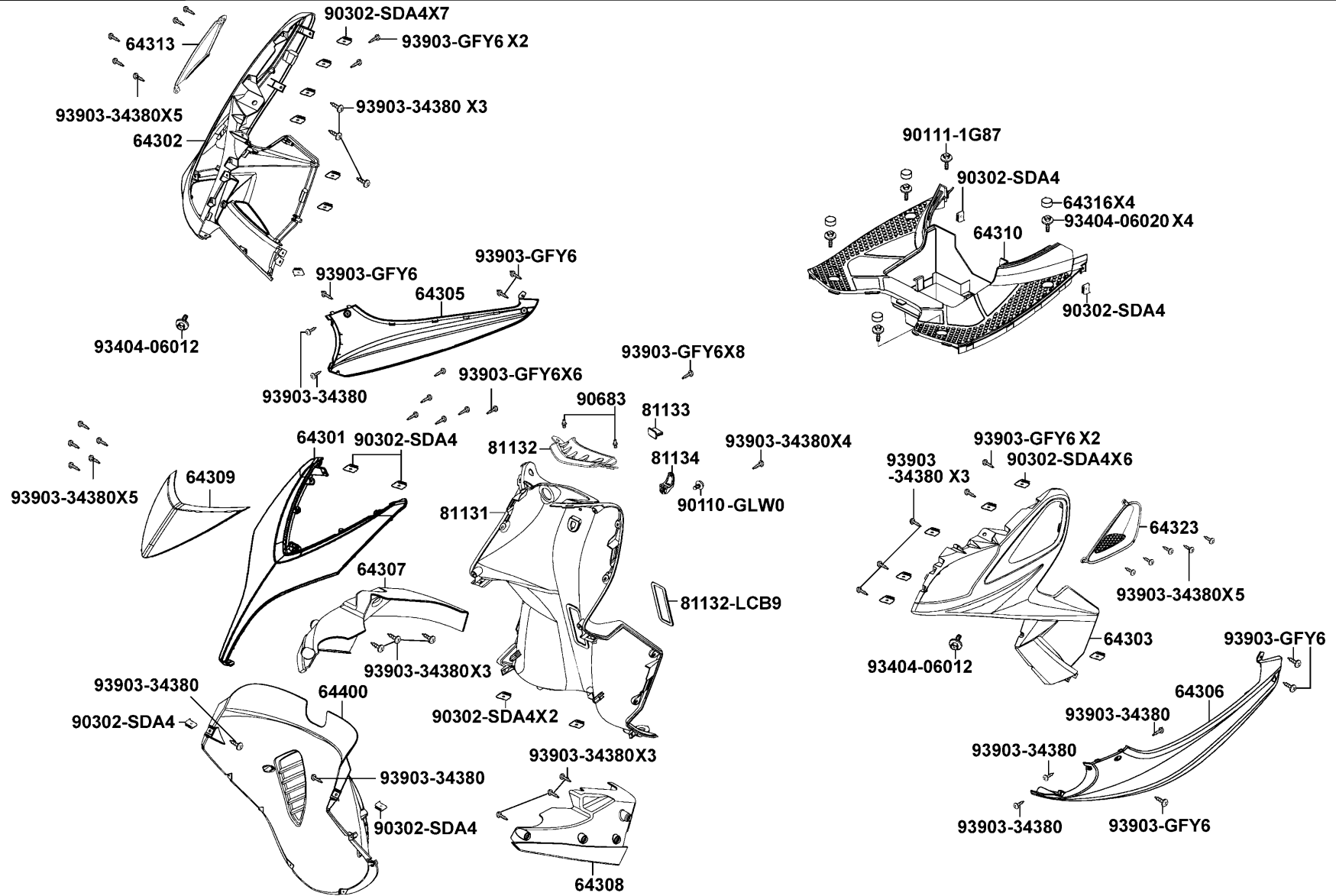
Front Cover Front Fender



Sales mark	Ref no	Part no	Ver	Description	Reg description	Regd no	F05
**	64301	64301-LEJ2-E10	1	COVER FR	COVER FR	1	
**	64302	64302-LEJ2-E10	0	MOLE R SIDE	MOLE R SIDE	1	
**	64303	64303-LEJ2-E10	0	COVER FR TOP	COVER FR TOP	1	
**	64305	64305-LEJ2-E10	0	SKIRT R SIDE	SKIRT R SIDE	1	
**	64306	64306-LEJ2-E10	0	SKIRT L SIDE	SKIRT L SIDE	1	
	64307	64307-LEJ2-E10	0	COVER R SIDE MOLD	COVER R SIDE MOLD	1	
	64308	64308-LEJ2-E10	0	COVER L SIDE MOLD	COVER L SIDE MOLD	1	
**	64309	64309-LEJ2-E10	0	COVER FR TOP	COVER FR TOP	1	
	64310	64310-LEJ2-E10	0	FLOOR PANEL	FLOOR PANEL	1	
	64313	64313-LEJ2-E10	0	GRILL R SIDE MOLD	GRILL R SIDE MOLD	1	
**	64316	64316-LCB9-C10	0	PLUG FLOOR	PLUG FLOOR	4	
	64323	64323-LEJ2-E10	0	GRILL L SIDE MOLD	GRILL L SIDE MOLD	1	
	64400	64400-LEJ2-E10	0	COWL UNDER	COWL UNDER	1	
	81131	81131-LEJ2-E10	0	LEG SHIELD UP	LEG SHIELD UP	1	
	81132-LCB9	81132-LCB9-C10	0	Xc	Xc	1	
	81132-LEJ2	81132-LEJ2-E10	0	LID INNER BOX	LID INNER BOX	1	
**	81133	81133-KGBG-9000	0	STOPPER LUGGAGE	STOPPER LUGGAGE	1	
**	81134	81134-KGBG-9000	2	HOOK LUGGAGE	HOOK LUGGAGE	1	
	90110	90110-GLW0-001	0	SCREW SPECIAL 6*14	SCREW SPECIAL 6*14	1	
#	90111	90111-1G87-001	1	BOLT FLANGE 6MM	BOLT FLANGE 6MM	1	

F05

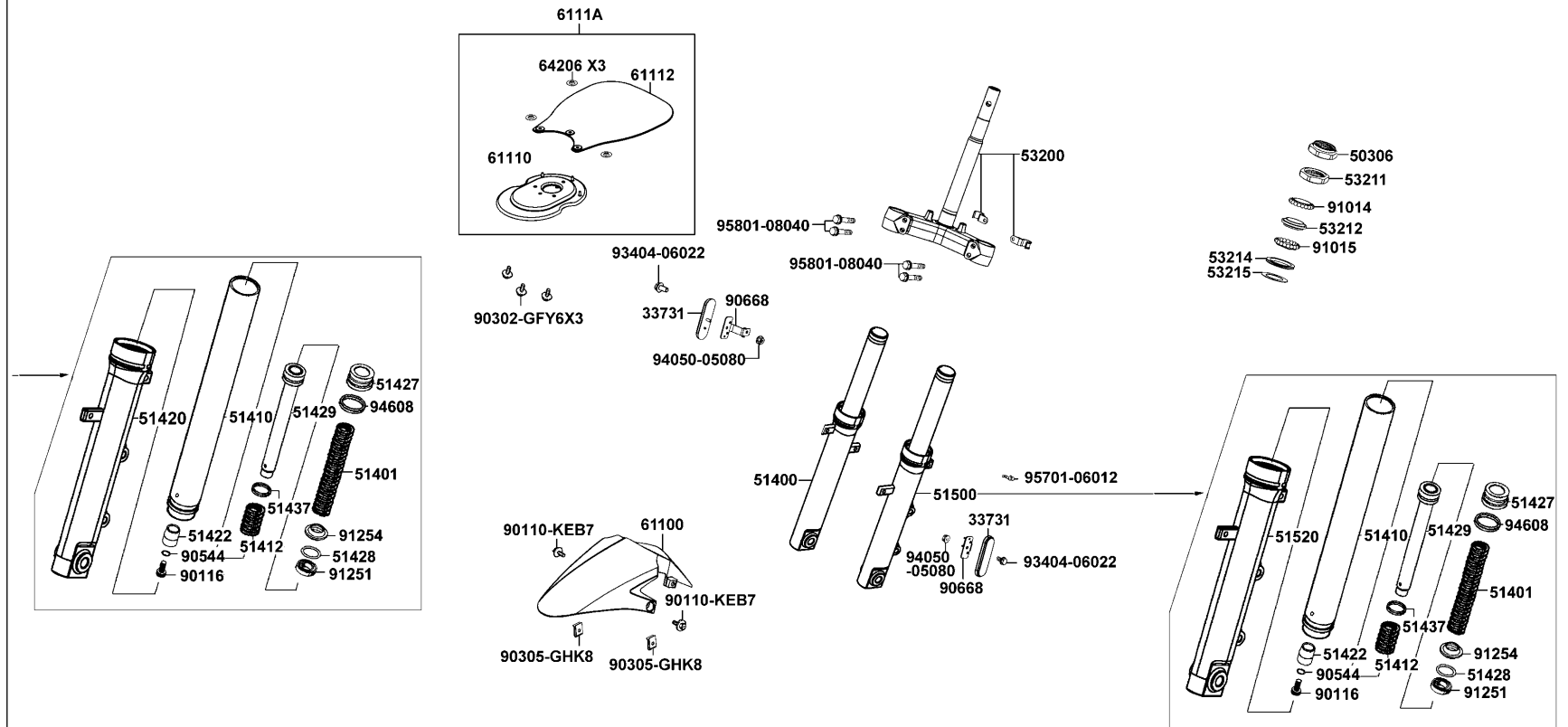
Front Cover Front Fender



Sales mark	Ref no	Part no	Ver	Description	Reg description	Regd no	<b>F05</b>
#	90302	90302-SDA4-004	1	NUT SPRING 4MM	NUT SPRING 4MM	19	
	90683	90683-GAR1-004	4	CLIP BODY COVER	CLIP BODY COVER	2	
	93404-06012	93404-06012-07	0	BOLT WASH 6*12	BOLT WASH 6*12	2	
	93404-06020	93404-06020-07	0	BOLT WASHER 6*20 (K)	BOLT WASHER 6*20 (K)	4	
	93903-34380	93903-34380	0	SCREW TAPPING 4*12	SCREW TAPPING 4*12	38	
	93903-GFY6	93903-GFY6-900	1	SCREW TAPPING 4*14	SCREW TAPPING 4*14	0	

F06

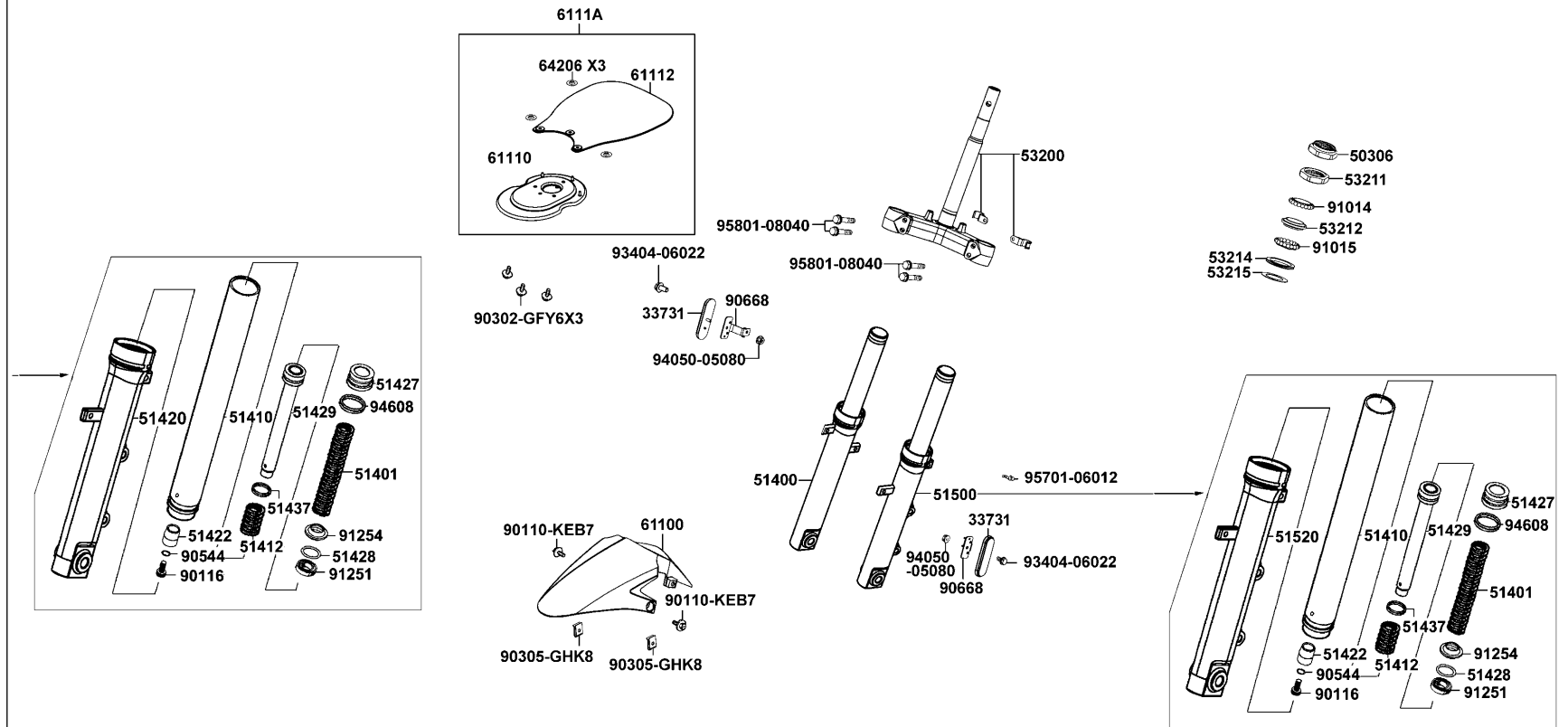
# Stem Steering Front Cushion



Sales mark	Ref no	Part no	Ver	Description	Reg description	Regd no	F06
	33731	33731-LDC8-M30	0	"REFLEX REFLECTOR,SIDE"	"REFLEX REFLECTOR,SIDE"	2	
	50306	50306-1F96-001	0	NUT STRG STEM LOCK	NUT STRG STEM LOCK	1	
**	51400	51400-LEJ2-E10	1	FORK ASSY RH FR	FORK ASSY RH FR	1	
	51401	51401-LEJ2-E10	0	SPRING	SPRING	1	
	51410	51410-LEJ2-E10	0	FORK PIPE COMP	FORK PIPE COMP	1	
	51412	51412-LEJ2-E10	0	REBOUND SPRING	REBOUND SPRING	1	
**	51420	51420-LEJ2-E10	0	BOTTOM CASE RH	BOTTOM CASE RH	1	
	51422	51422-LEJ2-E10	0	OIL LOCK PIECE	OIL LOCK PIECE	1	
	51427	51427-LEJ2-E10	0	FORK BOLT	FORK BOLT	1	
	51428	51428-LEJ2-E10	0	OIL SEAL STOPPER RING	OIL SEAL STOPPER RING	1	
	51429	51429-LEJ2-E10	0	PIPE SEAT	PIPE SEAT	1	
	51437	51437-LEJ2-E10	0	PISTON RING	PISTON RING	1	
**	51500	51500-LEJ2-E10	1	FORK ASSY LH FR	FORK ASSY LH FR	1	
**	51520	51520-LEJ2-E10	0	BOTTOM CASE L	BOTTOM CASE L	1	
	53200	53200-LEJ2-E10	0	STEM COMP STRG	STEM COMP STRG	1	
	53211	53211-GFY6-940	1	RACE STRG TOP CONE	RACE STRG TOP CONE	1	
	53212	53212-2L50-011	1	RACE STRG BOT CONE	RACE STRG BOT CONE	1	
	53214	53214-2L50-001	0	DUST SEAL STRG(HEAD)	DUST SEAL STRG(HEAD)	1	
	53215	53215-2L50-001	0	WASH STRG HDL DUST-SEAL	WASH STRG HDL DUST-SEAL	1	
**	61100	61100-LEJ2-E10	0	FENDER FR	FENDER FR	1	

F06

# Stem Steering Front Cushion

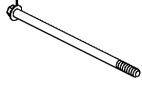


Sales mark	Ref no	Part no	Ver	Description	Reg description	Regd no	F06
	61110	61110-LDC8-E90	0	FENDER FR INNER	FENDER FR INNER	1	
	61112	61112-LDC8-E90	0	"PLATE,FRINNER SPLASH GUARD"	"PLATE,FRINNER SPLASH	1	
	6111A	6111A-LDC8-E90	0	FENDERMFR. INNER ASSY	FENDERMFR. INNER ASSY	1	
	64206	64206-MLJ0-001	1	NUT SPEED 4MM	NUT SPEED 4MM	3	
	90110	90110-KEB7-900	1	SCREW SPECIAL 6*14	SCREW SPECIAL 6*14	2	
	90116	90116-LEJ2-E10	0	?? BOLT	?? BOLT	1	
	90302-GFY6-901	90302-GFY6-901	1	BOLT WASH 5*12	BOLT WASH 5*12	2	
	90305	90305-GHK8-001	1	NUT CLIP 6MM	NUT CLIP 6MM	2	
	90544	90544-LEJ2-E10	0	PACKINGCUB	PACKINGCUB	1	
	90668	90668-LEJ2-E10	0	STAY SIDE REFLECTOR	STAY SIDE REFLECTOR	2	
	91014	91014-LLJ3-E00	1	CASE STEERING TOPP	CASE STEERING TOPP	1	
	91015	91015-LLJ3-E00	1	CASE STEERING BOT	CASE STEERING BOT	1	
	91251	91251-LEJ2-E10	0	OIL SEAL	OIL SEAL	1	
	91254	91254-LEJ2-E10	0	DUST SEAL	DUST SEAL	1	
	93404	93404-06022-07	0	BOLT WASHER 6*22 (K)	BOLT WASHER 6*22 (K)	2	
#	94050	94050-05080	0	NUT FLANGE 5MM	NUT FLANGE 5MM	2	
	94608	94608-LEJ2-E10	0	O-RING B	O-RING B	1	
#	95701	95701-06012-08	0	BOLT FLANGE 6*12	BOLT FLANGE 6*12	1	
	95801	95801-08040-08	0	BOLT FLANGE 8*40	BOLT FLANGE 8*40	4	

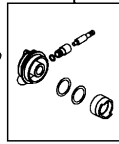
F07

Front Wheel

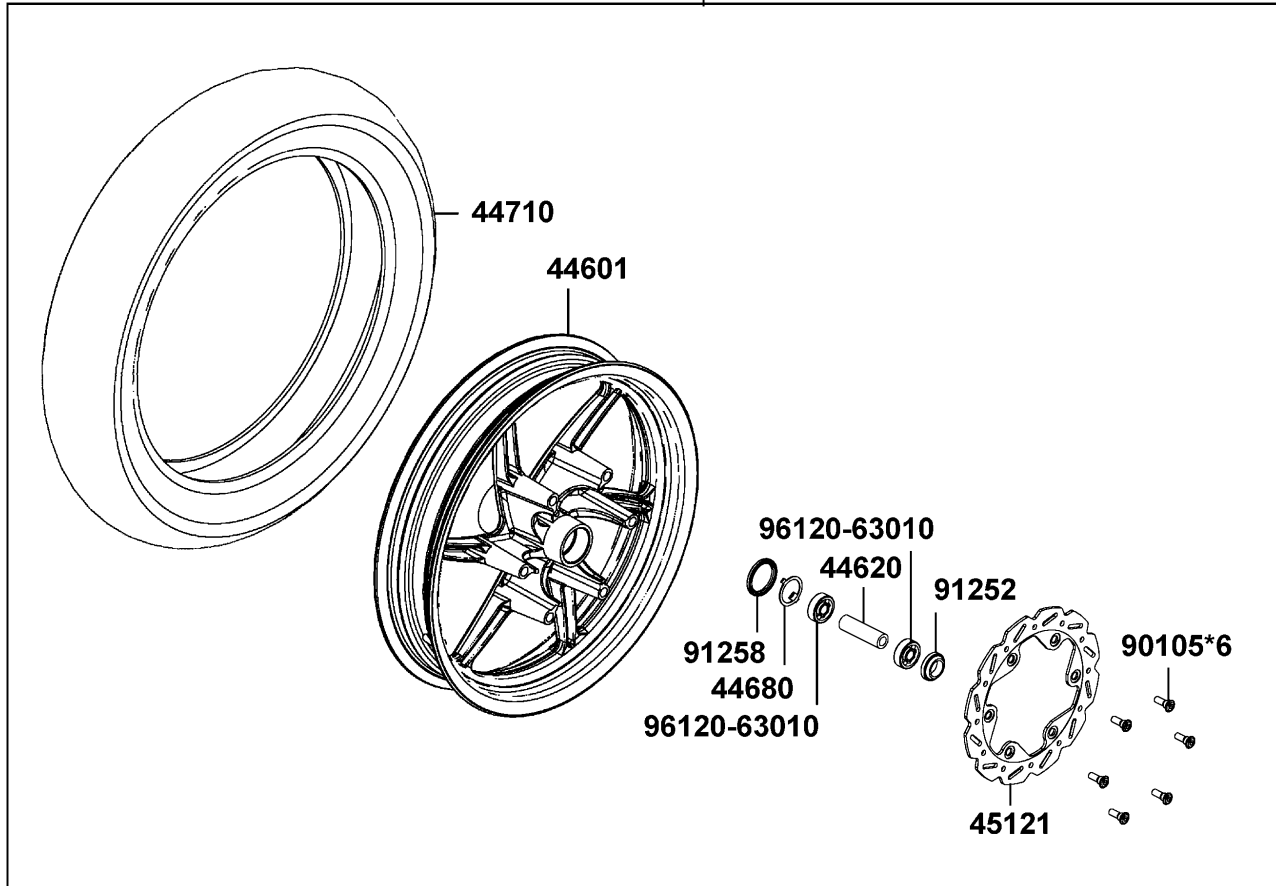
44301



44800



44600



44710

44601

96120-63010

44620

91252

91258

44680

96120-63010

90105\*6

45121

90306

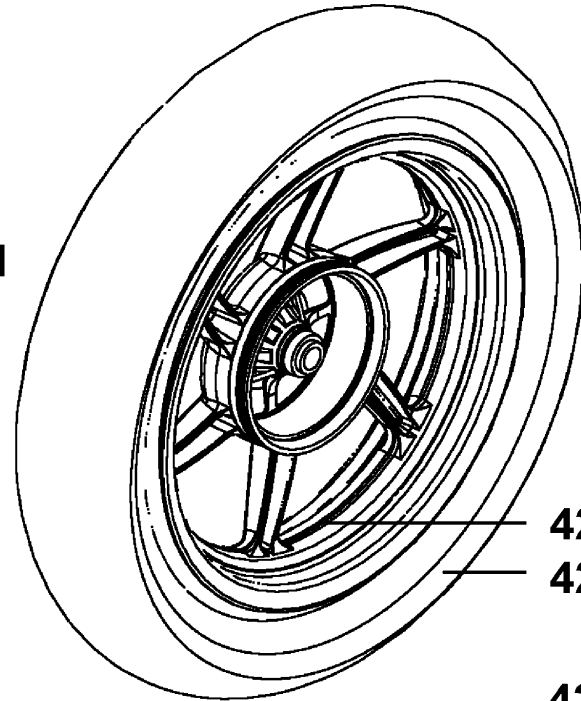
44311

Sales mark	Ref no	Part no	Ver	Description	Reg description	Regd no	F07
	44301	44301-KXCX-900	4	AXLE FR WHEEL	AXLE FR WHEEL	1	
	44311	44311-0F46-001	0	COLLAR FR WHEEL SIDE	COLLAR FR WHEEL SIDE	1	
**	44600	44600-LEJ3-E10	0	WHEEL ASSY FR	WHEEL ASSY FR	1	
**	44601	44601-LEJ3-E10	0	WHEEL CAST FR	WHEEL CAST FR	1	
	44620	44620-KFLF-930	1	COLLAR FR DIST	COLLAR FR DIST	1	
	44680	44680-4L10-001	0	RETAINER GEAR BOX	RETAINER GEAR BOX	1	
	44710	44710-LEJ3-E10	0	TIRE ASSY FR	TIRE ASSY FR	1	
	44800	44800-KFA6-900	1	GEAR BOX ASSY SPDMT	GEAR BOX ASSY SPDMT	1	
	45121	45121-LEJ2-E10	0	DISK FR BRK	DISK FR BRK	1	
	90105	90105-KCR3-001	1	BOLT FR DISK 8*24	BOLT FR DISK 8*24	6	
	90306	90306-KLF0-004	4	NUT FLANGE 12MM	NUT FLANGE 12MM	1	
	91252-0L30-00A	91252-0L30-00A	0	OIL SEAL WHEEL 23*37*7	OIL SEAL WHEEL 23*37*7	1	
	91258-4L10-00A	91258-4L10-00A	1	SEAL DUST 40*50*5	SEAL DUST 40*50*5	1	
	96120	96120-63010-10	0	BEARING BALL RADIAL 6301	BEARING BALL RADIAL 6301	2	

90305-KNBN



90501-KNBN



42601

42710

42600

4312A

43410

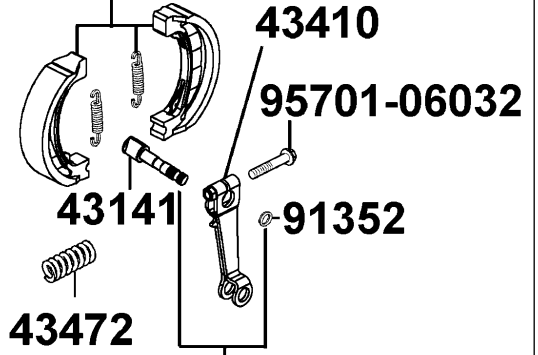
95701-06032

43141

91352

43472

4314A

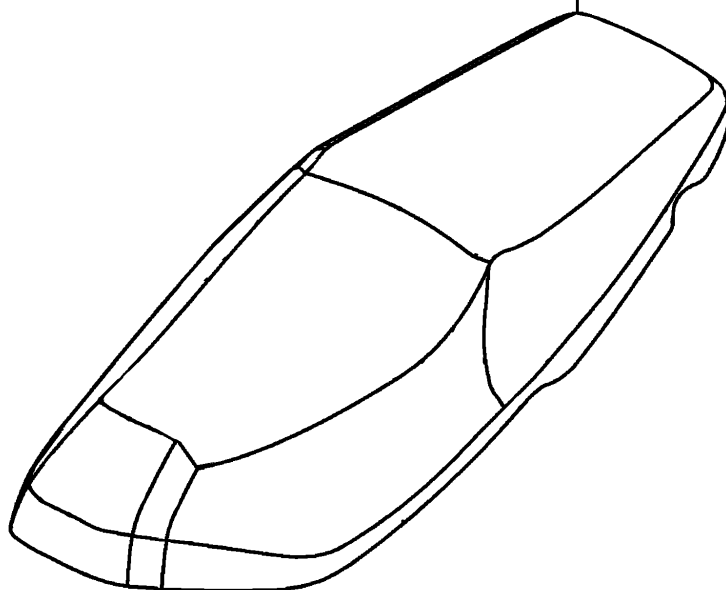



Sales mark	Ref no	Part no	Ver	Description	Reg description	Regd no	<b>F08</b>
**	42600	42600-LEJ3-E10	0	WHEEL ASSY RR	WHEEL ASSY RR	1	
**	42601	42601-LEJ2-E10	0	WHEEL CAST RR	WHEEL CAST RR	1	
	42710	42710-LEJ3-E10	0	TIRE ASSY REAR	TIRE ASSY REAR	1	
	4312A	4312A-KUDU-900	4	SHOE ASSY RR BRAKE	SHOE ASSY RR BRAKE	1	
	43141	43141-LCD3-E00	2	CAM RR BRK	CAM RR BRK	1	
	4314A	4314A-LCD3-E00	2	CAM ASSY RR BRAKE	CAM ASSY RR BRAKE	1	
	43410	43410-LCD3-E00	2	ARM RR BRAKE	ARM RR BRAKE	1	
	43472	43472-LEJ3-E10	0	SPG RR BRK ARM	SPG RR BRK ARM	0	
	90305	90305-KNBN-90B	0	NUT U 16MM	NUT U 16MM	1	
	90501	90501-KNBN-901	0	WASHER 16MM	WASHER 16MM	1	
	91352	91352-KHG8-83A	0	O-RING11.3*1.3	O-RING11.3*1.3	1	
	95701	95701-06032-08	0	BOLT FLANGE 6*32	BOLT FLANGE 6*32	1	


F09

Seat

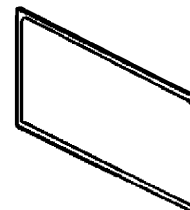
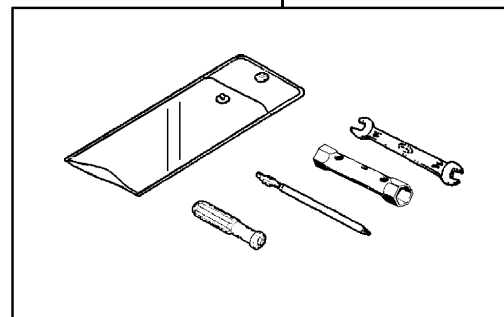
77200



94050-06080-

94050-06080-

89010

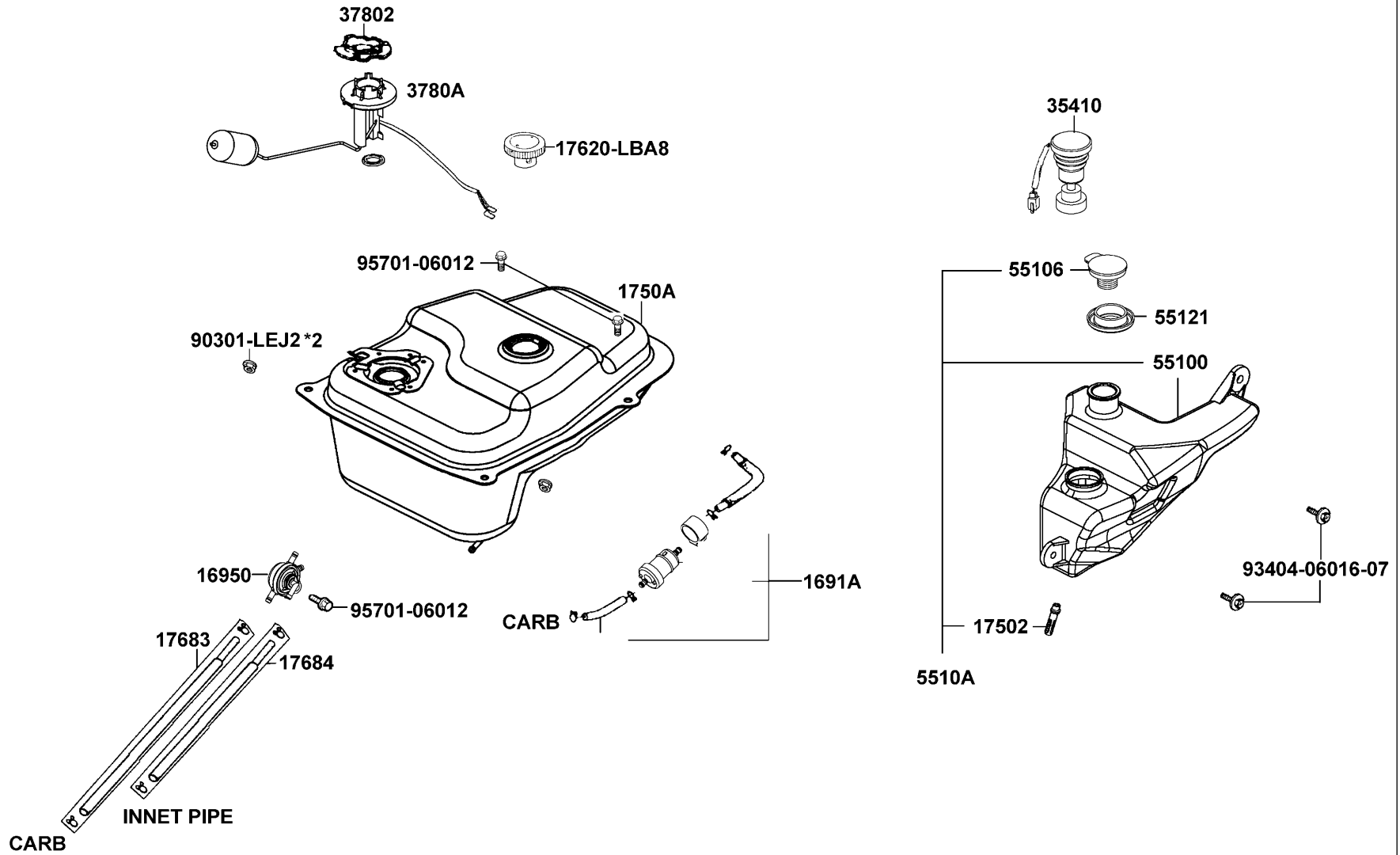


89020

Sales mark	Ref no	Part no	Ver	Description	Reg description	Regd no	<b>F09</b>
	77200	77200-LEJ2-E10	0	SEAT ASSY	SEAT ASSY	1	
	89010	89010-GGS7-C00	3	TOOL SET	TOOL SET	1	
	89020	89020-KKC4-900	1	BAND TOOL SET	BAND TOOL SET	1	
#	94050	94050-06080	0	NUT FLANGE 6MM	NUT FLANGE 6MM	2	

F10

Fuel Tank

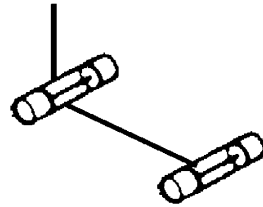


Sales mark	Ref no	Part no	Ver	Description	Reg description	Regd no	<b>F10</b>
	1691A	1691A-LEJ2-E10	0	STRAINER ASSY FUEL	STRAINER ASSY FUEL	1	
	16950	16950-LCA3-B50	0	AUTO COCK ASSY FUEL	AUTO COCK ASSY FUEL	1	
	17502	17502-1G87-001	0	OIL STRAINER	OIL STRAINER	1	
	1750A	1750A-LEJ2-E10	0	TANK COMP FUEL	TANK COMP FUEL	1	
	17620	17620-LBA8-C10	0	CAP FUEL FILLER	CAP FUEL FILLER	1	
	17683	17683-LHB3-E10	0	TUBE ASSY FUEL	TUBE ASSY FUEL	1	
	17684	17684-LHB3-E10	0	TUBE ASSY VACUM	TUBE ASSY VACUM	1	
	35410	35410-LHB3-E10	0	SW COMP OIL LEVEL	SW COMP OIL LEVEL	1	
	37802	37802-GGA7-701	2	RET FUEL UNIT	RET FUEL UNIT	1	
	3780A	3780A-LEJ2-E10	0	FUEL UNIT ASSY	FUEL UNIT ASSY	1	
	55100	55100-LHB3-E10	0	TANK OIL	TANK OIL	1	
	55106	55106-KEB7-900	2	CAP ASSY OIL	CAP ASSY OIL	1	
	5510A	5510A-LHB3-E10	0	TANK ASSY OIL	TANK ASSY OIL	1	
	55121	55121-LCD1-E00	2	RUBBER OIL GUIDE	RUBBER OIL GUIDE	1	
	90301	90301-LEJ2-E10	1	NUT FLANGE 6mm	NUT FLANGE 6mm	2	
	93404	93404-06016-07	0	BOLT WASHER 6*16 (K)	BOLT WASHER 6*16 (K)	2	
#	95701	95701-06012-08	0	BOLT FLANGE 6*12	BOLT FLANGE 6*12	3	

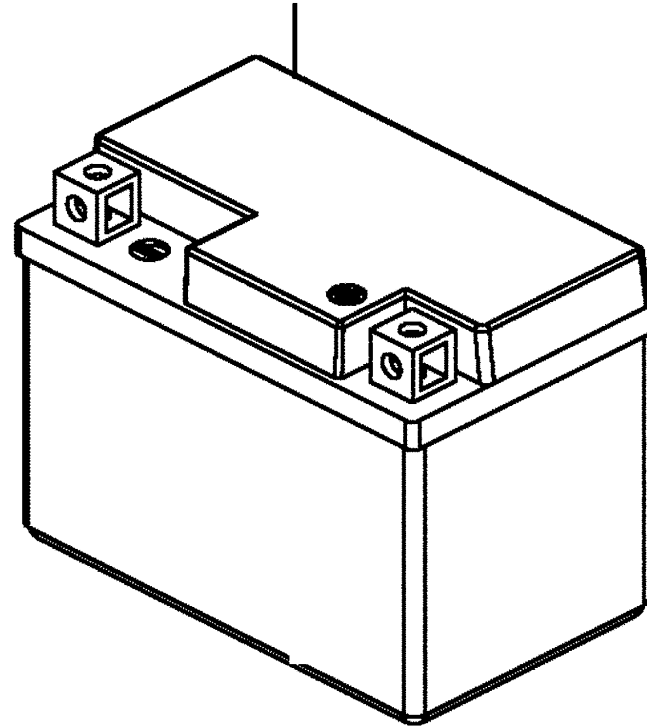
F11

Battery

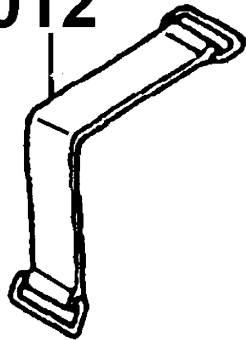
98200-10700



31500



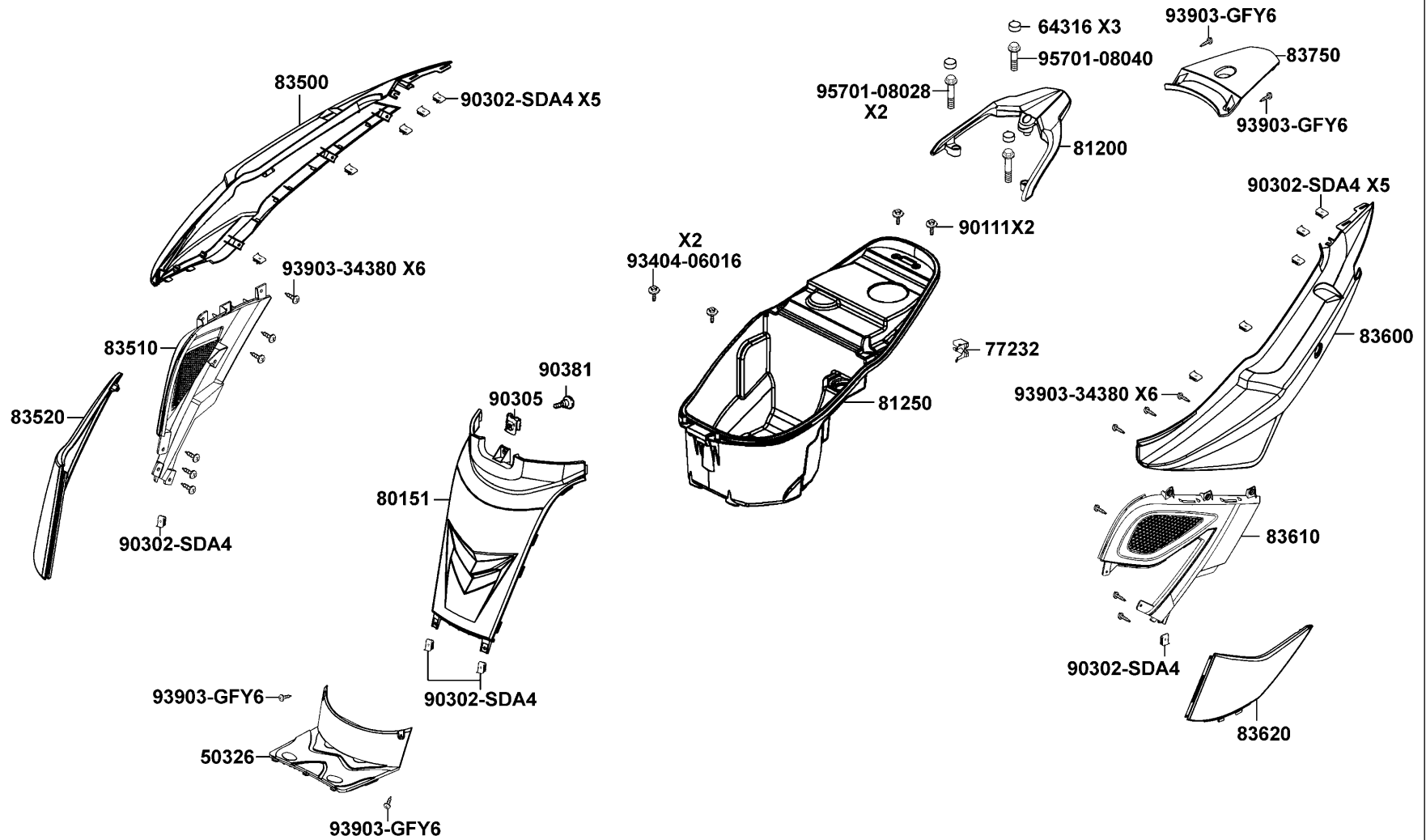
95012



Sales mark	Ref no	Part no	Ver	Description	Reg description	Regd no	<b>F11</b>
	31500	31500-GFY6-94A	4	BATTERY YTX7A-BS	BATTERY YTX7A-BS	1	
	95012	95012-LEJ2-E10	0	BAND BATTERY	BAND BATTERY	1	
	98200	98200-10700	0	FUSE A7	FUSE A7	2	

F12

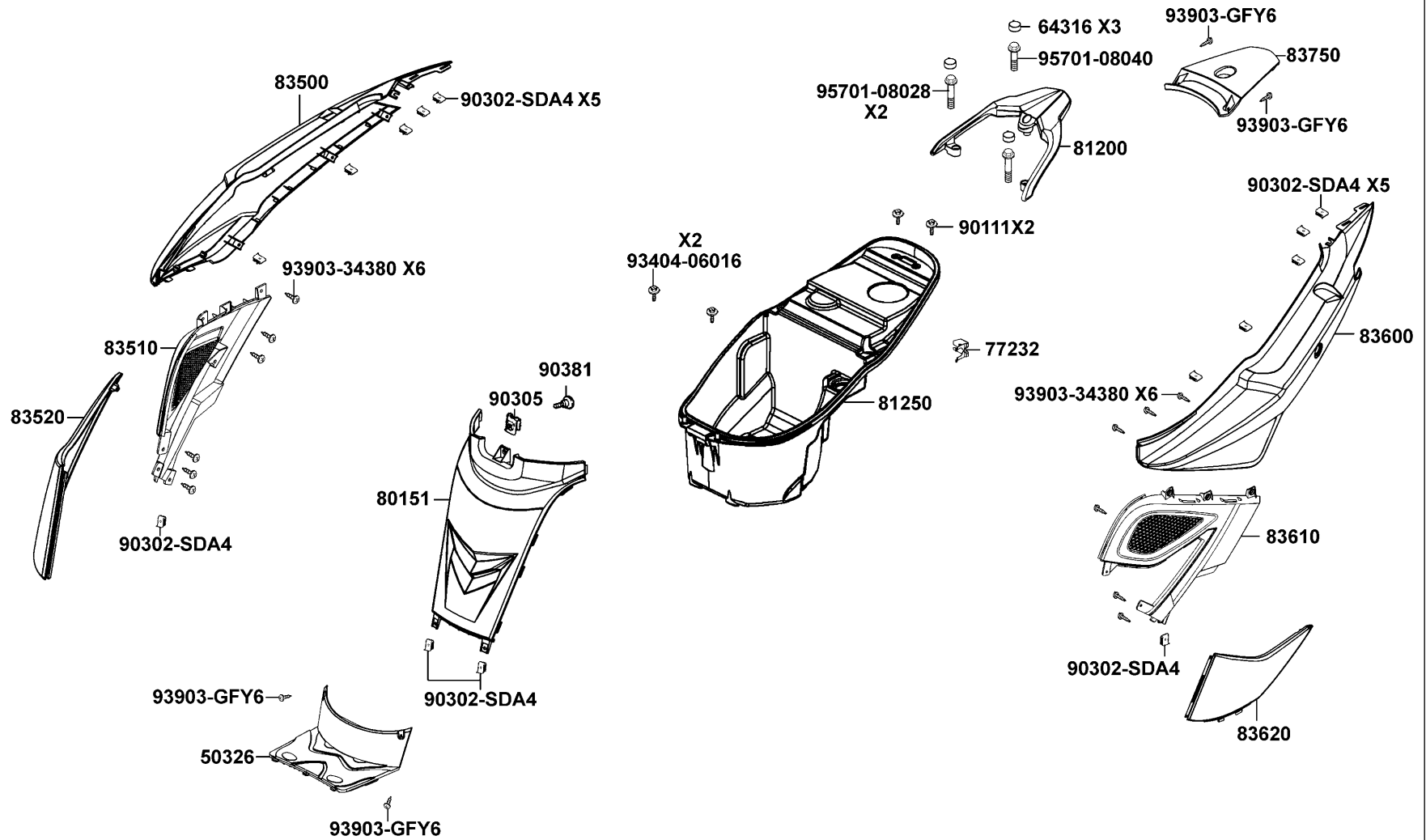
Body Cover Luggage Box



Sales mark	Ref no	Part no	Ver	Description	Reg description	Regd no	F12
	50326	50326-LEJ2-E10	0	COVER BATTERY	COVER BATTERY	1	
**	64316	64316-LCB9-C10	0	PLUG FLOOR	PLUG FLOOR	3	
	77232	77232-KCAC-901	2	SET SPG SEAT LOCK	SET SPG SEAT LOCK	1	
	80151	80151-LEJ2-E10	0	COVER CENTER	COVER CENTER	1	
**	81200	81200-LEJ2-E10	0	CARRIER RR	CARRIER RR	1	
	81250	81250-LHB3-E10	0	LUGGAGE BOX	LUGGAGE BOX	1	
**	83500	83500-LEJ2-E10	0	COVER R BODY	COVER R BODY	1	
	83510	83510-LEJ2-E10	0	COVER R SIDE A	COVER R SIDE A	1	
**	83520	83520-LEJ2-E10	0	COVER R SIDE B	COVER R SIDE B	1	
**	83600	83600-LEJ2-E10	0	COVER L BODY	COVER L BODY	1	
	83610	83610-LEJ2-E10	0	COVER L SIDE A	COVER L SIDE A	1	
**	83620	83620-LEJ2-E10	0	COVER L SIDE B	COVER L SIDE B	1	
**	83750	83750-LEJ2-E10	0	COVER RR CENTER	COVER RR CENTER	1	
	90111	90111-1G87-00A	1	BOLT FLANGE 6MM	BOLT FLANGE 6MM	2	
#	90302	90302-SDA4-004	1	NUT SPRING 4MM	NUT SPRING 4MM	14	
	90305	90305-GHK8-001	1	NUT CLIP 6MM	NUT CLIP 6MM	1	
	90381	90381-GEZ5-001	1	SCREW SPECIAL 6*17	SCREW SPECIAL 6*17	1	
	93903-34380	93903-34380	0	SCREW TAPPING 4*12	SCREW TAPPING 4*12	12	
	93903-GFY6	93903-GFY6-900	1	SCREW TAPPING 4*14	SCREW TAPPING 4*14	4	
	95701-08028	95701-08028-08	0	BOLT FLANGE 8*28 (C)	BOLT FLANGE 8*28 (C)	2	

F12

# Body Cover Luggage Box

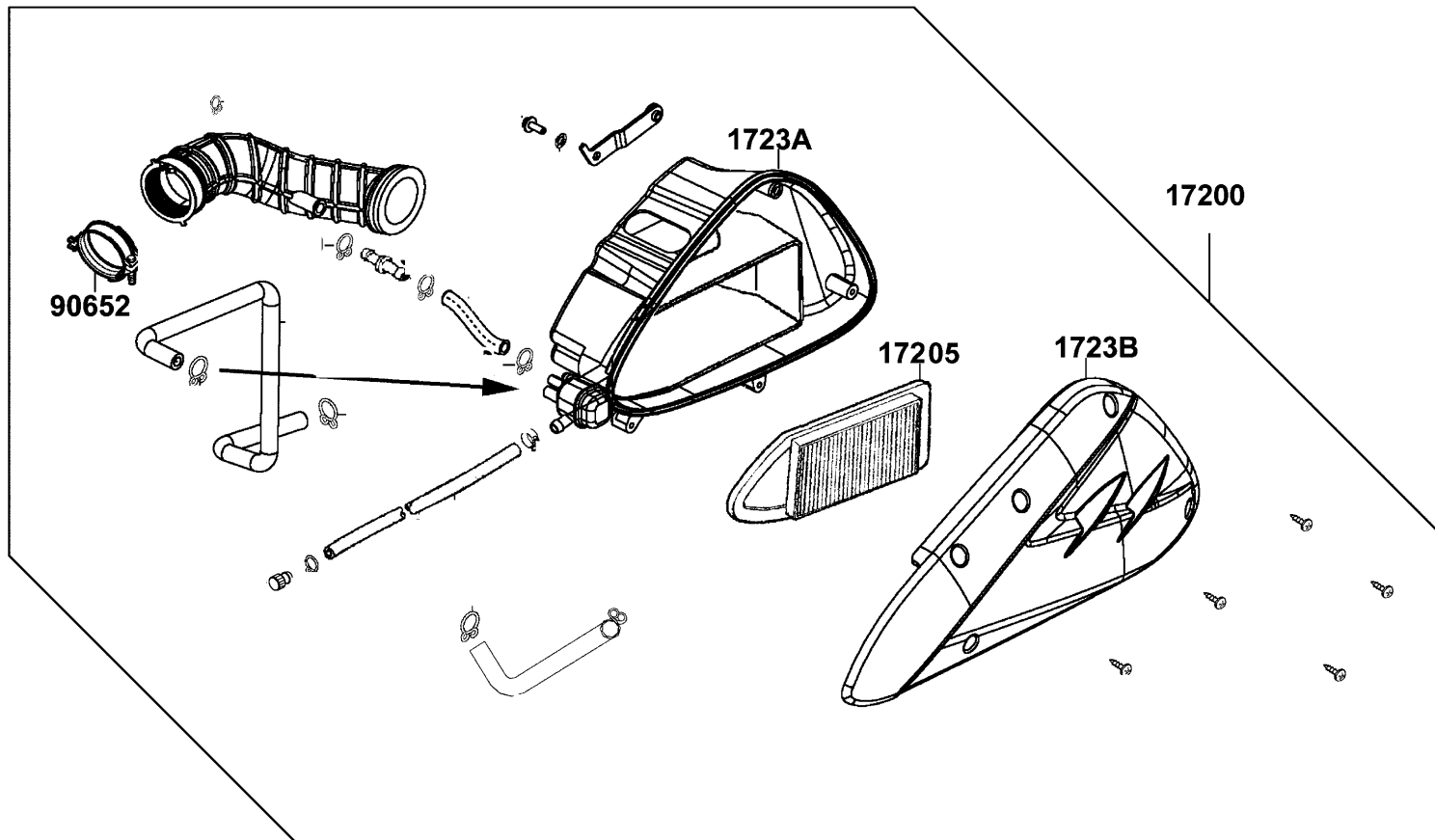


Sales mark	Ref no	Part no	Ver	Description	Reg description	Regd no	<b>F12</b>
------------	--------	---------	-----	-------------	-----------------	---------	------------

	95701-08040	95701-08040-08	0	BOLT FLANGE 8*40	BOLT FLANGE 8*40	1	
--	-------------	----------------	---	------------------	------------------	---	--

F13

Air Cleaner

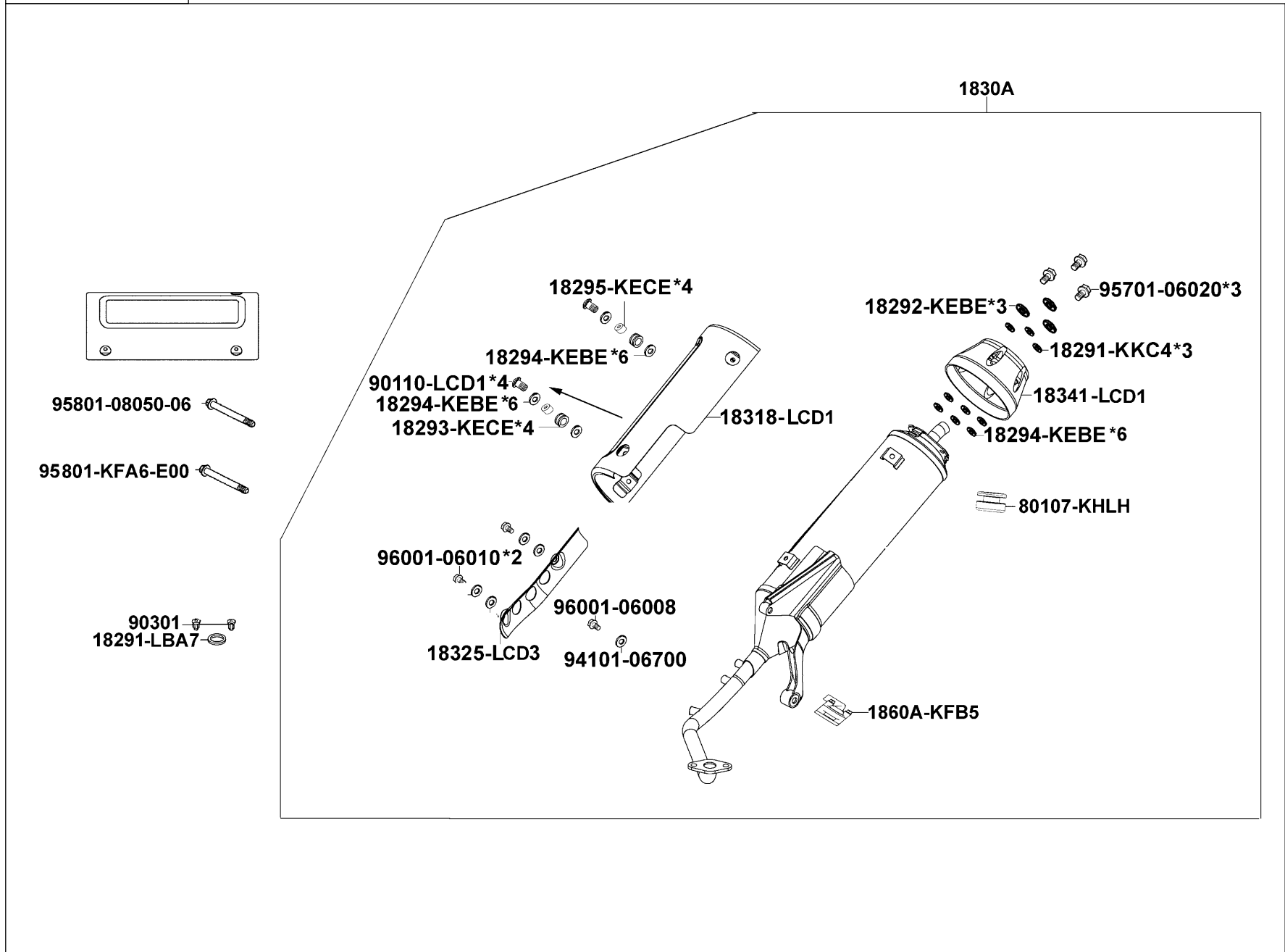


95701-06040-08  
95701-06040-08

Sales mark	Ref no	Part no	Ver	Description	Reg description	Regd no	<b>F13</b>
17200		17200-LCD1-E00	1	AIR/C ASSY	AIR/C ASSY	1	
17205		17205-KFA6-900	0	ELEMENT AIR/C	ELEMENT AIR/C	1	
1723A		1723A-LCD1-E00	1	CASE ASSY AIR/C	CASE ASSY AIR/C	1	
1723B		1723B-LCD1-E00	1	COVER COMPAIR/C	COVER COMPAIR/C	1	
90652		90652-KTCT-900	1	BAND AIR/C CONN	BAND AIR/C CONN	1	
95701		95701-06040-08	0	BOLT FLANGE 6*40	BOLT FLANGE 6*40	2	

F14

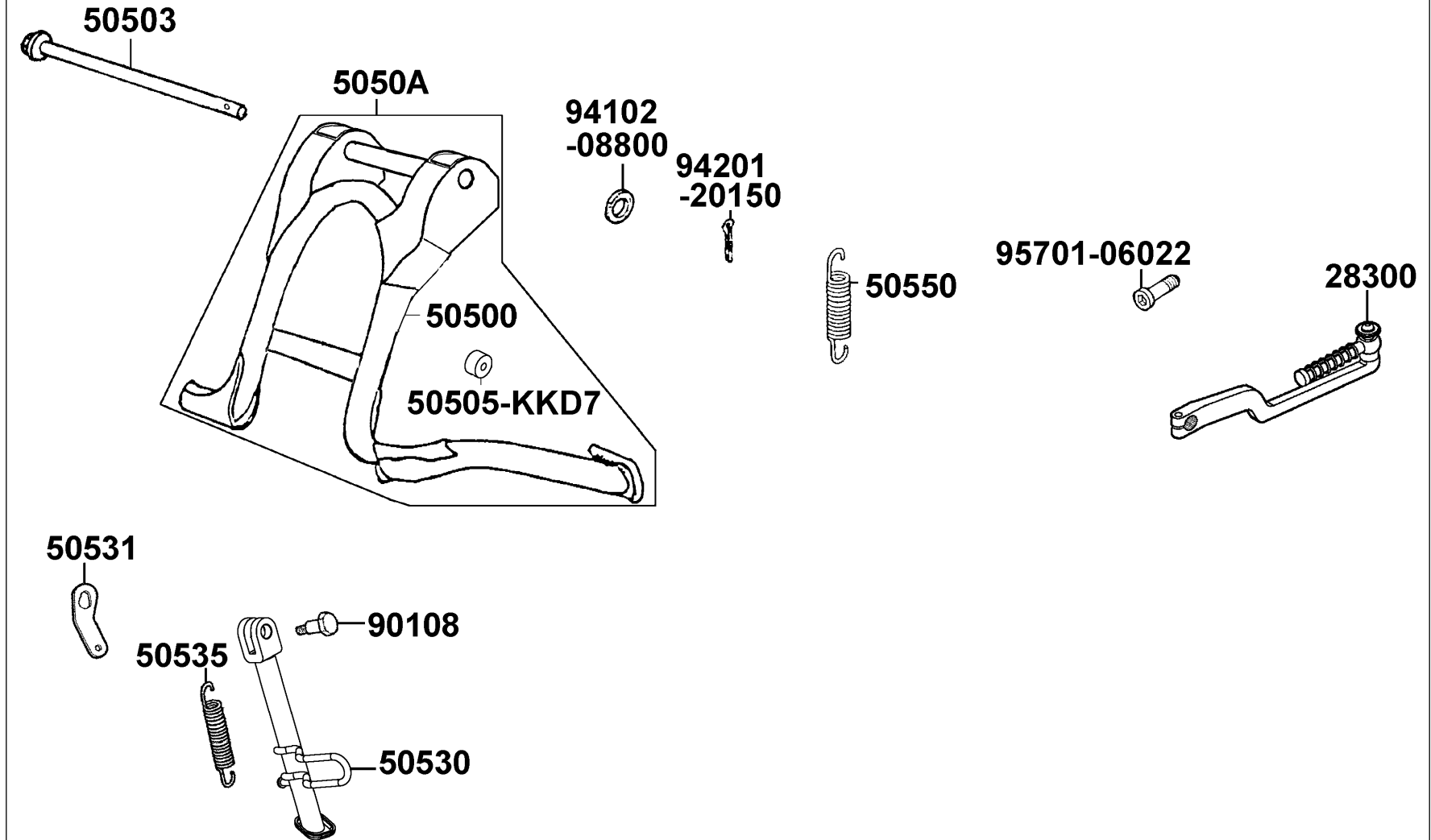
Exhaust Muffler



Sales mark	Ref no	Part no	Ver	Description	Reg description	Regd no	F14
	18291	18291-KKC4-900	0	COLLAR	COLLAR	3	
	18291	18291-LBA7-900	2	GASKET EXH PIPE	GASKET EXH PIPE	1	
	18292	18292-KEBE-9000	0	PACKING PROTECTOR	PACKING PROTECTOR	3	
	18293	18293-KECE-9000	0	RUBBER A PROTR	RUBBER A PROTR	4	
	18294	18294-KEBE-900	0	PACKING PROTECTOR	PACKING PROTECTOR	18	
	18295	18295-KECE-900	0	COLLAR 6MM	COLLAR 6MM	1	
	1830A	1830A-LHB3-E10	1	"MUFFLER ASSY., EXHAUST"	"MUFFLER ASSY., EXHAUST"	1	
	18318	18318-LCD1-E000	5	PROTECTOR MUFF	PROTECTOR MUFF	1	
**	18325	18325-LCD3-E00	3	PROTECTOR EXH PIPE	PROTECTOR EXH PIPE	0	
	18341	18341-LCD1-E000	3	PROTECTOR	PROTECTOR	1	
	1860A	1860A-KFB5-EZ0	2	REED VALVE ASSY	REED VALVE ASSY	1	
	80107	80107-KHLH-900	0	RUBBER A RR FENDER	RUBBER A RR FENDER	1	
	90110-LCD1	90110-LCD1-E00	2	SCREW SPECIAL 6*25	SCREW SPECIAL 6*25	3	
	90301	90301-GFY6-901	2	NUT (HEX) CAP 8MM	NUT (HEX) CAP 8MM	2	
	94101-06700	94101-06700	0	WASHER PLAIN 6MM	WASHER PLAIN 6MM	0	
	95701	95701-06020-07	0	BOLT FLANGE 6*20 (C)	BOLT FLANGE 6*20 (C)	4	
	95801-08050	95801-08050-06	1	BOLT FLANGE 8*50	BOLT FLANGE 8*50	1	
	95801-KFA6	95801-KFA6-E00	1	BOLT FLANGE 8*35	BOLT FLANGE 8*35	1	
	96001-06008	96001-06008-07	0	BOLT FLANGE SH 6*8	BOLT FLANGE SH 6*8	1	
	96001-06010	96001-06010-08	0	BOLT FLANGE SH 6*10	BOLT FLANGE SH 6*10	0	

F15

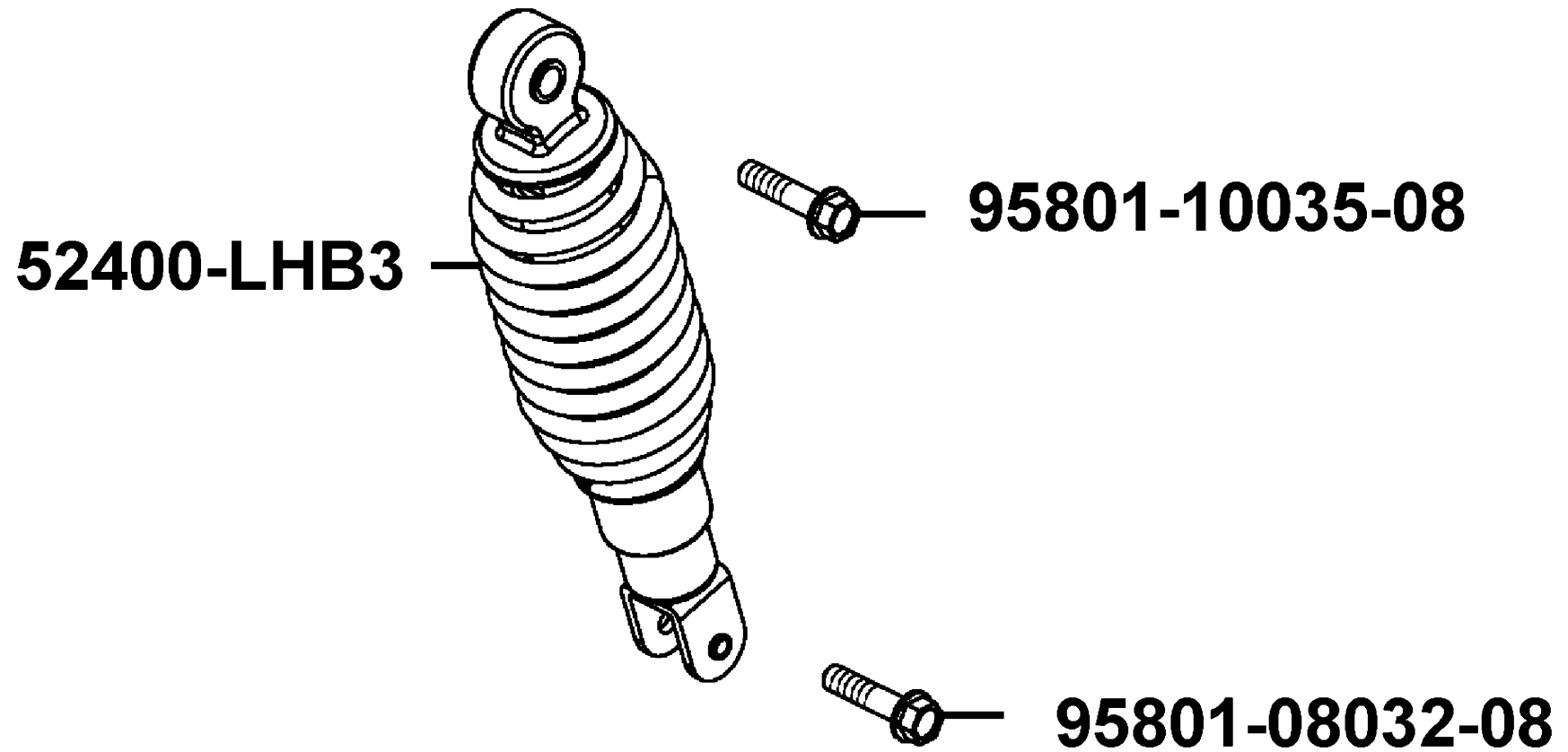
Stand Kick Starter Arm



Sales mark	Ref no	Part no	Ver	Description	Reg description	Regd no	F15
**	28300	28300-KNBN-901	3	ARM ASSY KICK STARTER	ARM ASSY KICK STARTER	1	
	50500	50500-LHB3-E10	0	STAND COMP MAIN	STAND COMP MAIN	1	
	50503	50503-KEB7-900	1	SHAFT MAIN STAND	SHAFT MAIN STAND	1	
	50505	50505-KKD7-900	1	STOPPER RUBBER	STOPPER RUBBER	1	
	5050A	5050A-LHB3-E10	0	"STAND ASSY, MAIN"	"STAND ASSY, MAIN"	1	
	50530	50530-LEJ2-E10	0	BAR SIDE STAND	BAR SIDE STAND	1	
	50531	50531-KEB7-E00	1	PLATE SPRING STOPPER	PLATE SPRING STOPPER	1	
	50535	50535-KEB7-W10	3	SPRING COMP SIDE STAND	SPRING COMP SIDE STAND	1	
	50550	50550-KEB7-E00	1	SPG ASSY MAIN STAND	SPG ASSY MAIN STAND	1	
	90108	90108-KFA6-E00	1	SCREW SIDE STAND	SCREW SIDE STAND	1	
	94102	94102-08800	0	WASHER PLAIN 8MM	WASHER PLAIN 8MM	1	
	94201	94201-20150	0	PIN SPLIT 2*15	PIN SPLIT 2*15	1	
	95701	95701-06022-07	0	BOLT FLANGE 6*22 (K)	BOLT FLANGE 6*22 (K)	1	

F16

Rear Cushion

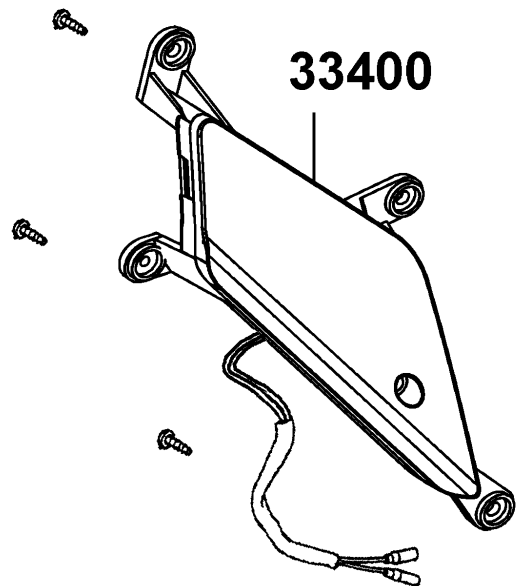


Sales mark	Ref no	Part no	Ver	Description	Reg description	Regd no	<b>F16</b>
	52400	52400-LHB3-E10	0	CUSHION ASSY REAR	CUSHION ASSY REAR	1	
	95801-08032	95801-08032-08	0	BOLT FLANGE 8*32(C)	BOLT FLANGE 8*32(C)	1	
	95801-10035	95801-10035-08	0	BOLT FLANGE 10*35	BOLT FLANGE 10*35	1	

F17

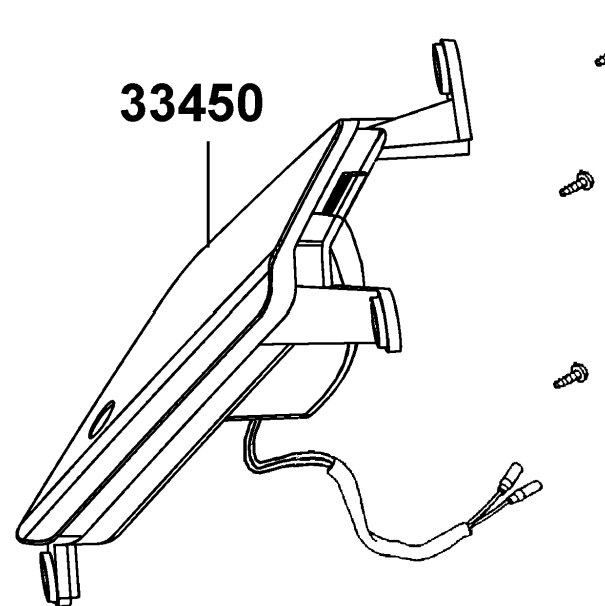
Front Winker

93903-34380 X3



33400

93903-34380 X3

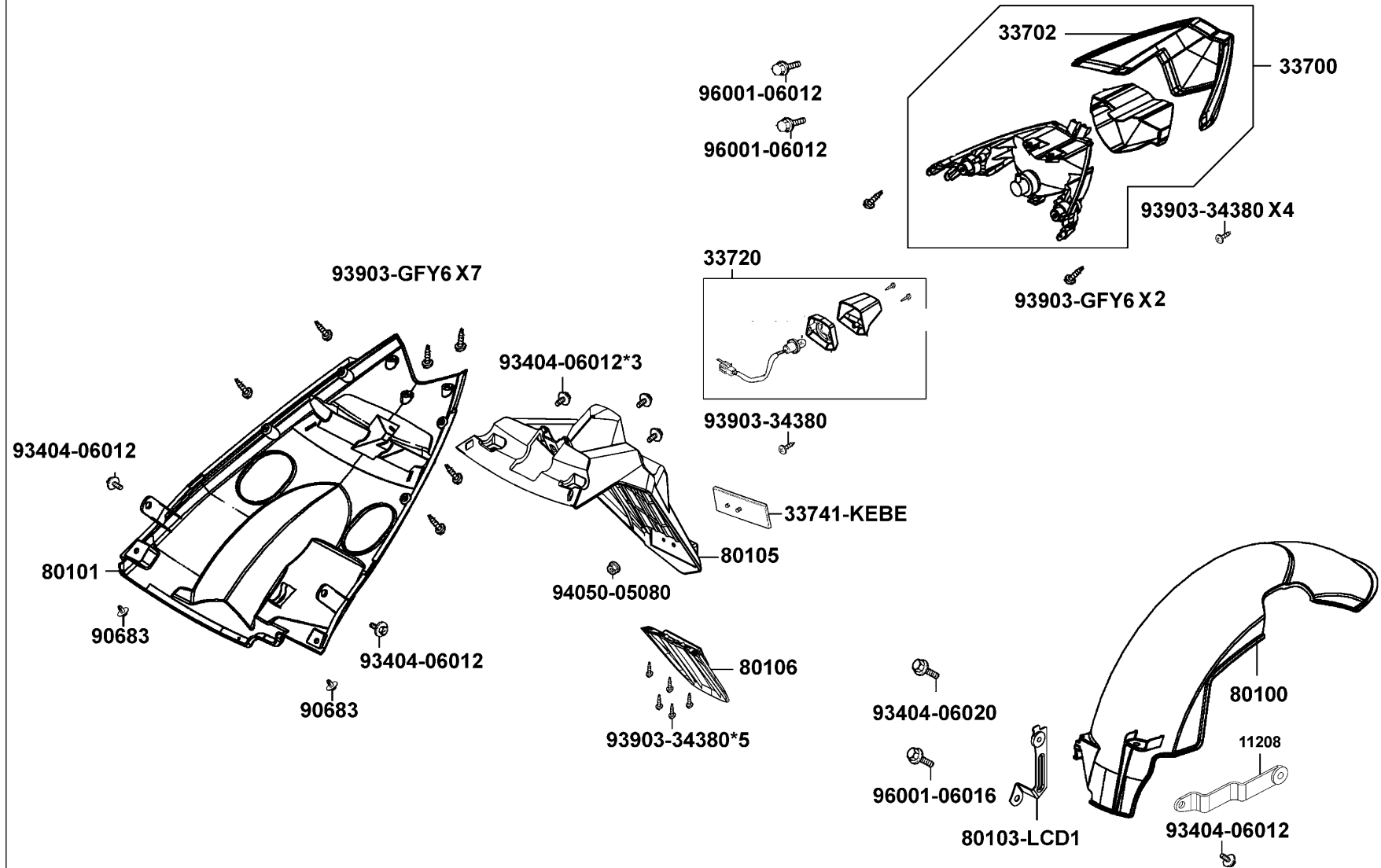


33450

Sales mark	Ref no	Part no	Ver	Description	Reg description	Regd no	<b>F17</b>
	33400	33400-LEJ2-E10	0	WINKER ASSY RH FR	WINKER ASSY RH FR	1	
	33450	33450-LEJ2-E10	0	WINKER ASSY LH FR	WINKER ASSY LH FR	1	
	93903	93903-34380	0	SCREW TAPPING 4*12	SCREW TAPPING 4*12	6	

F18

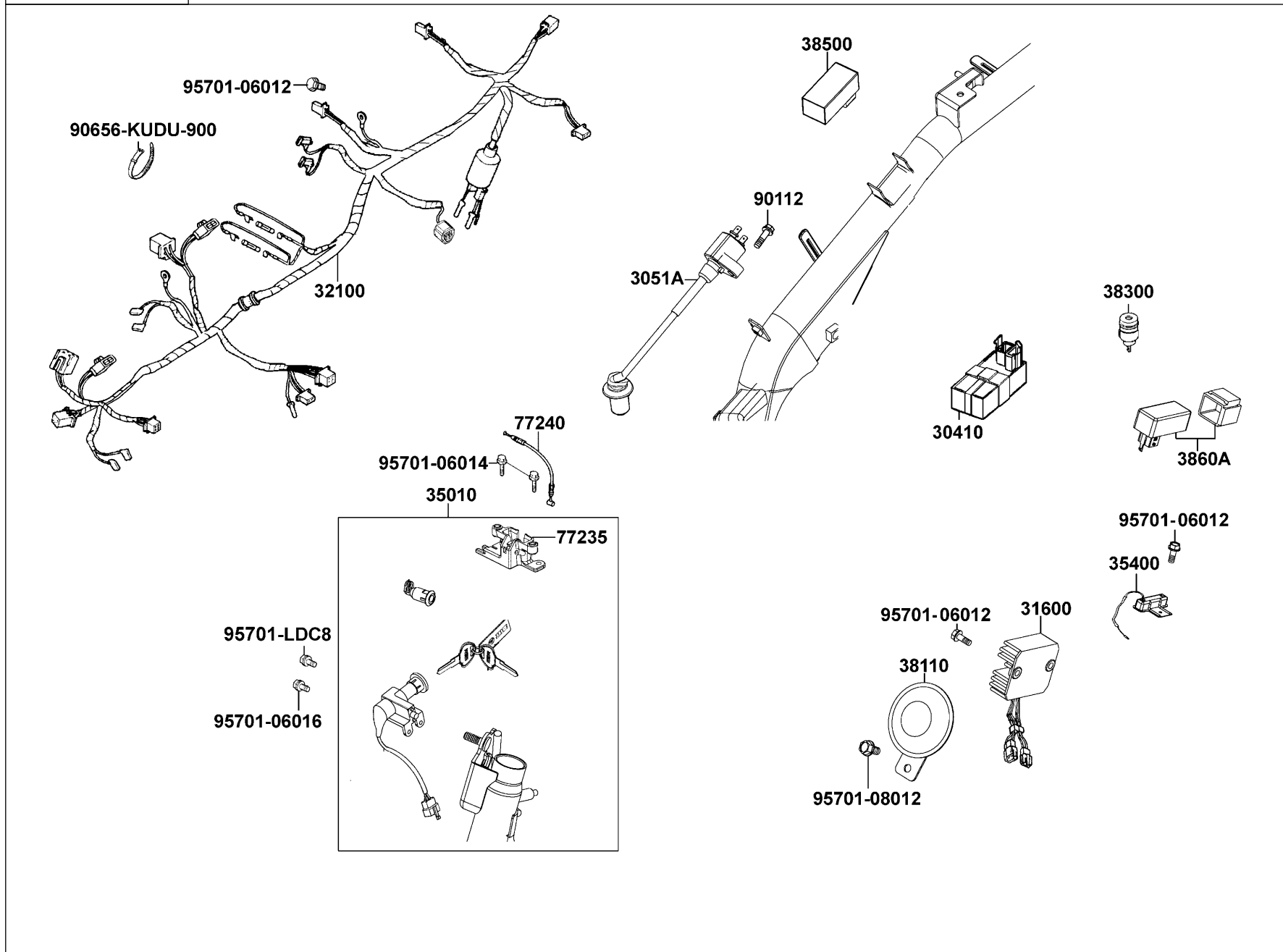
Tail Light



Sales mark	Ref no	Part no	Ver	Description	Reg description	Regd no	F18
	11208	11208-LHB3-E10	0	"STAY B, RR FENDER"	"STAY B, RR FENDER"	1	
	33700	33700-LEJ2-E10	0	LIGHT ASSY RR COMB	LIGHT ASSY RR COMB	1	
	33702	33702-LEJ2-E10	0	OUTER LENS RR COMB	OUTER LENS RR COMB	1	
	33720	33720-LEJ2-E10	0	LIGHT ASSY LICENSE	LIGHT ASSY LICENSE	1	
	33741	33741-KEBE-900	0	REFLEX REFLECTOR	REFLEX REFLECTOR	1	
	80100	80100-LHB3-E10	0	FENDER RR TIRE	FENDER RR TIRE	1	
	80101	80101-LEJ2-E10	0	FENDER RR INNER	FENDER RR INNER	1	
	80103	80103-LCD1-E00	1	SATY B RR TIRE FENDER	SATY B RR TIRE FENDER	1	
	80105	80105-LEJ2-E10	0	FENDER REAR	FENDER REAR	1	
	80106	80106-LEJ2-E10	1	REAR FENDER B	REAR FENDER B	1	
	90683	90683-GAR1-004	4	CLIP BODY COVER	CLIP BODY COVER	2	
	93404-06012	93404-06012-07	0	BOLT WASH 6*12	BOLT WASH 6*12	6	
	93404-06020	93404-06020-07	0	BOLT WASHER 6*20 (K)	BOLT WASHER 6*20 (K)	1	
	93903-34380	93903-34380	0	SCREW TAPPING 4*12	SCREW TAPPING 4*12	10	
	93903-GFY6	93903-GFY6-900	1	SCREW TAPPING 4*14	SCREW TAPPING 4*14	9	
#	94050	94050-05080	0	NUT FLANGE 5MM	NUT FLANGE 5MM	1	
#	96001-06012	96001-06012-08	0	BOLT FLANGE 6*12	BOLT FLANGE 6*12	2	
	96001-06016	96001-06016-08	0	BOLT FLANGE SH 6*16	BOLT FLANGE SH 6*16	1	

F19

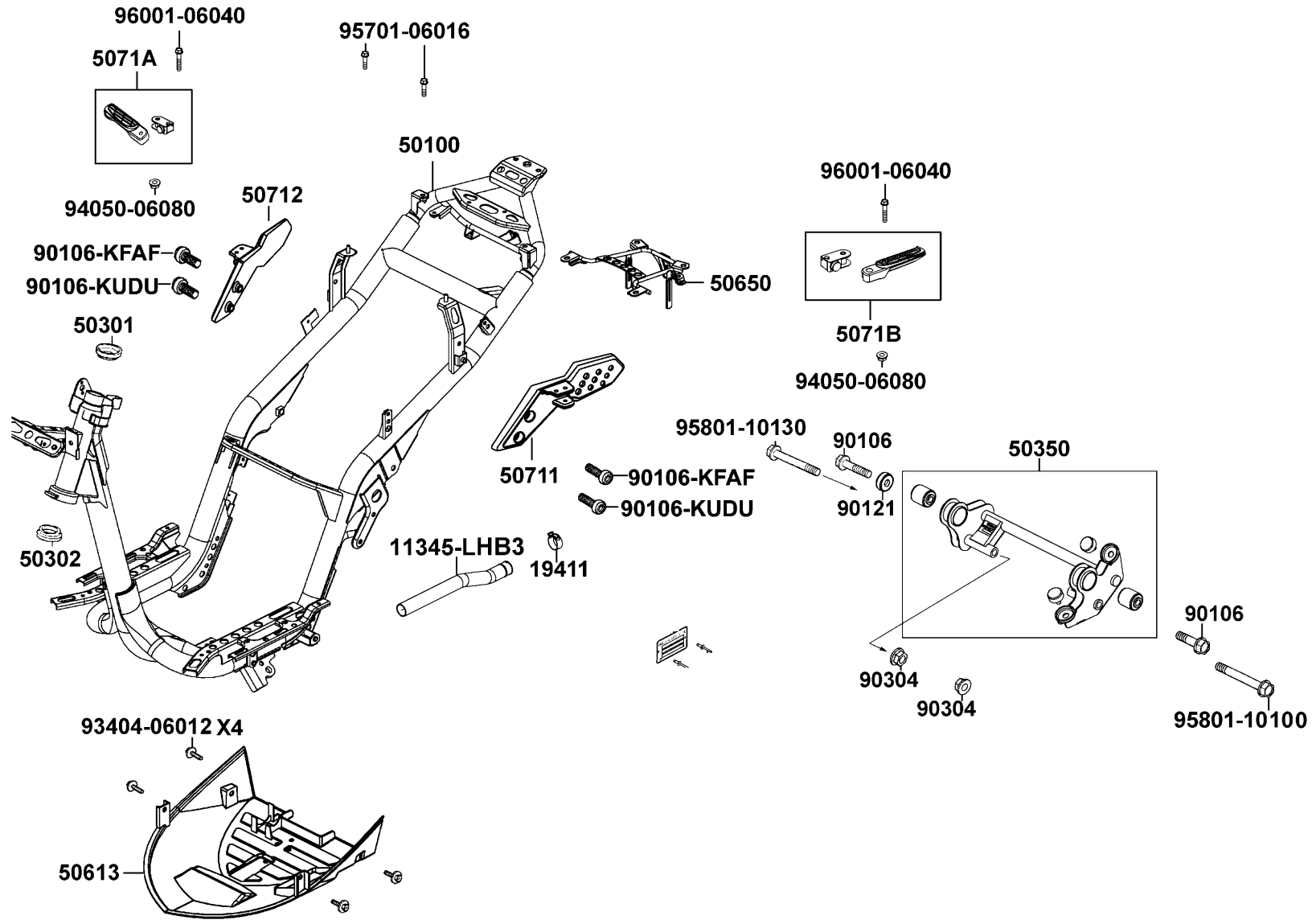
Wire Harness



Sales mark	Ref no	Part no	Ver	Description	Reg description	Regd no	<b>F19</b>
	30410	30410-LHB3-E10	0	UNIT COMP CDI	UNIT COMP CDI	1	
	3051A	3051A-KELE-901	4	COIL ASSY IGN	COIL ASSY IGN	1	
	31600	31600-LCD3-E0B	3	REG REC COMP	REG REC COMP	1	
	32100	32100-LHB3-E10	2	HARNESS WIRE	HARNESS WIRE	1	
	35010	35010-LEJ2-E10	0	KEY SET	KEY SET	1	
	35400	35400-LHB3-E10	0	RESISTOR COMP	RESISTOR COMP	1	
	38110	38110-KGC4-B50	1	HORN COMP	HORN COMP	1	
	38300	38300-KECE-900	2	RELAY ASSY WINKER	RELAY ASSY WINKER	1	
	38500	38500-KKDK-900	4	RELAY ASSY START	RELAY ASSY START	1	
	3860A	3860A-LEJ2-E10	1	CONTROL ASS'Y LIGHTING	CONTROL ASS'Y LIGHTING	1	
	77235	77235-KGC4-E0B	2	SEAT CATCH	SEAT CATCH	1	
	77240	77240-LEJ2-E10	5	CABLE SEAT LOCK	CABLE SEAT LOCK	1	
	90112	90112-KRDR-900	0	BOLT FLANGE 5*22	BOLT FLANGE 5*22	1	
# **	90656	90656-KUDU-900	0	BAND HARNESS WIRE	BAND HARNESS WIRE	1	
#	95701-06012	95701-06012-08	0	BOLT FLANGE 6*12	BOLT FLANGE 6*12	3	
	95701-06014	95701-06014-08	0	BOLT FLANGE 6*14	BOLT FLANGE 6*14	2	
	95701-06016	95701-06016-08	0	BOLT FLANGE 6*16	BOLT FLANGE 6*16	1	
#	95701-08012	95701-08012-08	0	BOLT FLANGE 8*12	BOLT FLANGE 8*12	1	
	95701-LDC8	95701-LDC8-E10	0	BOLT TORQUE 6x16	BOLT TORQUE 6x16	1	

F20

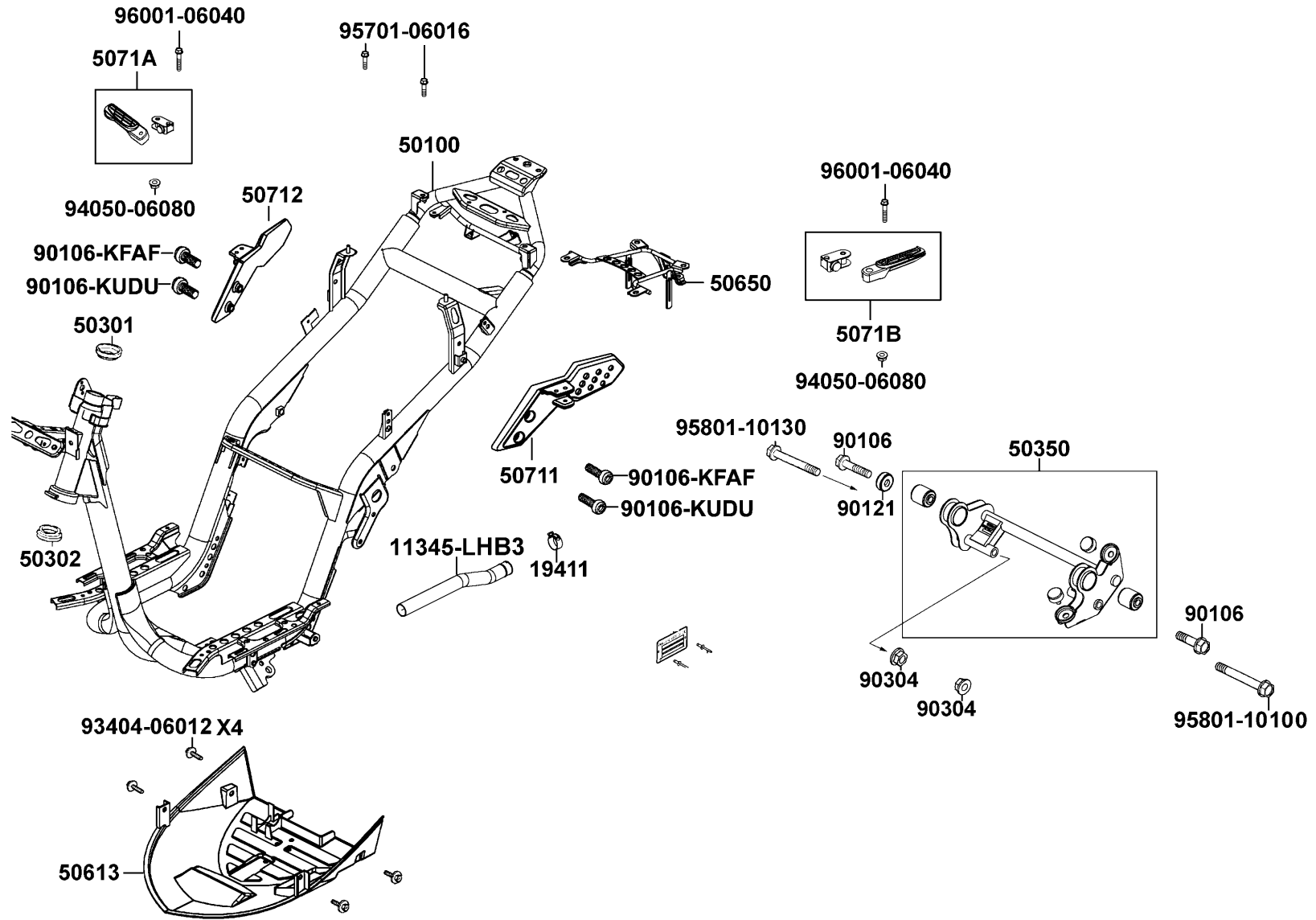
Frame Body



Sales mark	Ref no	Part no	Ver	Description	Reg description	Regd no	F20
	11345	11345-LHB3-E10	0	"DUCT, L COVER"	"DUCT, L COVER"	1	
	19411	19411-KNBN-900	1	CLIP HOSE	CLIP HOSE	1	
	50100	50100-LHB3-E10	0	BODY COMP FRAME	BODY COMP FRAME	1	
	50301	50301-KGN7-671	2	RACE UP STRG BALL	RACE UP STRG BALL	1	
	50302	50302-2H68-011	2	RACE STRG BOT BALL	RACE STRG BOT BALL	1	
	50350	50350-LHB3-E10	2	ENG HANGER ASSY	ENG HANGER ASSY	1	
	50613	50613-LEJ2-E10	0	COVER UNDER	COVER UNDER	1	
	50650	50650-LEJ2-E10	0	STAY RR FENDER	STAY RR FENDER	0	
	50711	50711-LEJ2-E10	2	"STEP R,RR STEP"	"STEP R,RR STEP"	1	
	50712	50712-LEJ2-E10	3	"STEP L,RR STEP"	"STEP L,RR STEP"	1	
	5071A	5071A-LEJ2-E10	0	BAR STEP R ASSY	BAR STEP R ASSY	1	
	5071B	5071B-LEJ2-E10	0	BAR STEP L ASSY	BAR STEP L ASSY	1	
	90106-GFY6	90106-GFY6-901	0	BOLT FLANGE 10*55	BOLT FLANGE 10*55	2	
	90106-KFAF	90106-KFAF-900	2	BOLT SPECIAL	BOLT SPECIAL	2	
	90106-KUDU	90106-KUDU-900	1	BOLT WASH 8*26	BOLT WASH 8*26	2	
	90121	90121-GFY6-901	1	COLLAR DISTANCE	COLLAR DISTANCE	1	
#	90304	90304-GHE8-004	0	NUT U 10MM	NUT U 10MM	2	
	93404	93404-06012-07	0	BOLT WASH 6*12	BOLT WASH 6*12	4	
#	94050	94050-06080	0	NUT FLANGE 6MM	NUT FLANGE 6MM	2	
	95701	95701-06016-08	0	BOLT FLANGE 6*16	BOLT FLANGE 6*16	2	

F20

Frame Body



Sales mark	Ref no	Part no	Ver	Description	Reg description	Regd no	<b>F20</b>
	95801-10100	95801-10100-08	0	BOLT FLANGE 10*100	BOLT FLANGE 10*100	1	
	95801-10130	95801-10130-08	0	BOLT FLANGE 10*130	BOLT FLANGE 10*130	1	
	96001	96001-06040-07	0	BOLT FLANGE SH 6*40 (K)	BOLT FLANGE SH 6*40 (K)	2	

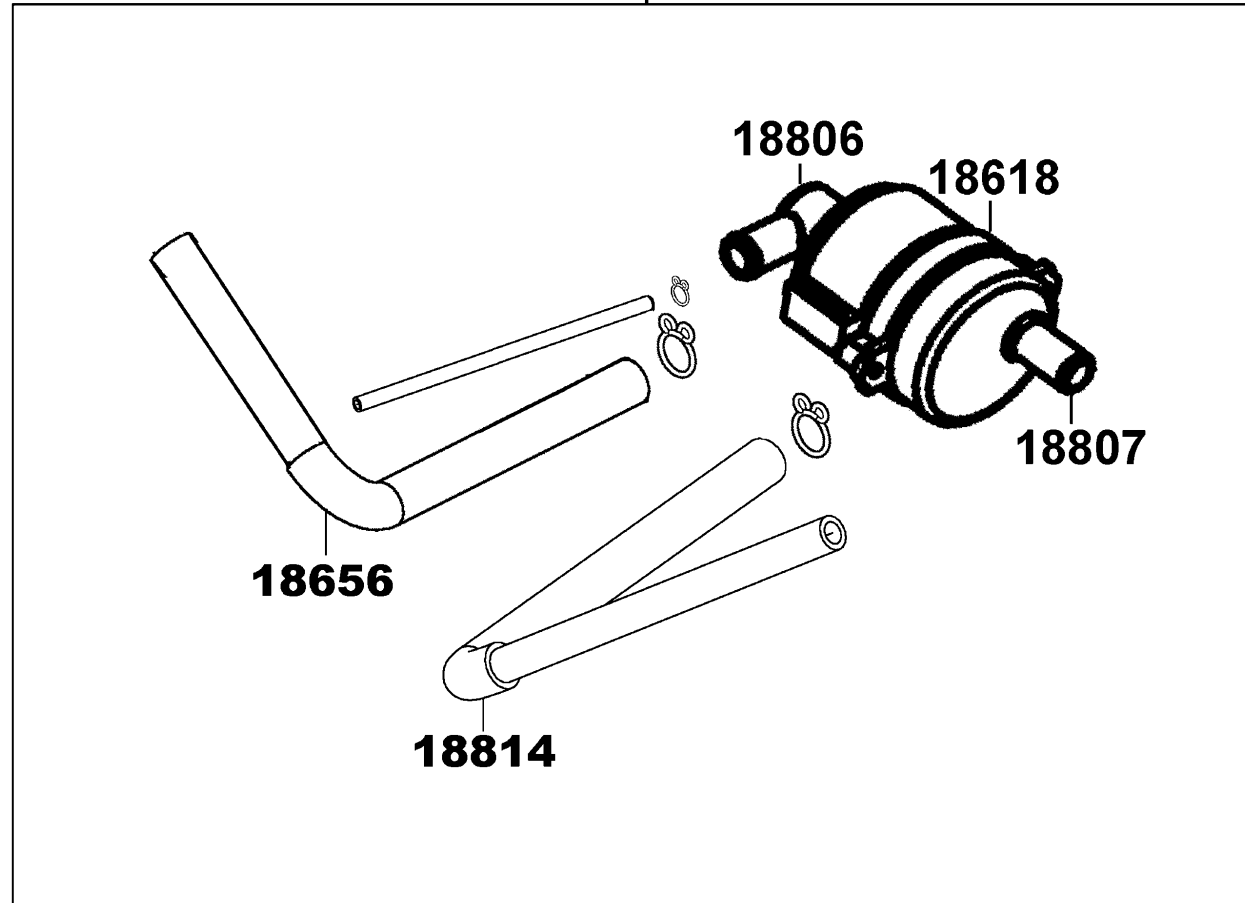
F21

Air Cleaner Two

95002



18800



Sales mark	Ref no	Part no	Ver	Description	Reg description	Regd no	<b>F21</b>
	18618	18618-KBE2-900	0	RUBBER AI CLEANER MOUNT	RUBBER AI CLEANER MOUNT	1	
	18656	18656-LHB3-E10	1	"TUBE,AI/C TO REED VALVE"	"TUBE,AI/C TO REED VALVE"	1	
	18800	18800-LHB3-E10	1	AI CLEANER ASSY	AI CLEANER ASSY	1	
	18806	18806-KBE2-900	1	CASE AI CLEANER	CASE AI CLEANER	1	
	18807	18807-KBE2-900	3	COVER AI CLEANER	COVER AI CLEANER	1	
	18814	18814-LHB3-E10	0	"DUCT,AI CLEANER"	"DUCT,AI CLEANER"	1	
	95002	95002-KKD6-E05	0	CLAMP D18 TUBE	CLAMP D18 TUBE	1	

F22

# Emblem Stripe

■ Be sure to wear a safety helmet when riding.  
 ■ Do not exceed the speed and ride by law when riding.  
 ■ The exhaust muffler temperature is very high after riding, be sure to park the motorcycle in a place not easily touched by people.  
 ■ For riding safety and good performance, do not modify the factory-installed motorcycle.

■ Make sure to perform the periodic maintenance and periodic inspection.  
 ■ Provide inspection items.

■ Please read the User's manual carefully to secure driving safety.

■ Make performance tires, bicycle motor oil, lights, horn, and instrument panel.

KYMCO MOTOR CO., LTD. KMB-E00

87560



86102-LHB3



87140

**CAUTION**

1. Check the oil level and refill the oil when the engine is cold.  
 2. Do not touch the hot engine parts.  
 3. Do not touch the hot exhaust pipe.  
 4. Do not touch the hot muffler.  
 5. Do not touch the hot spark plug.  
 6. Do not touch the hot air filter.  
 7. Do not touch the hot air intake.  
 8. Do not touch the hot air outlet.  
 9. Do not touch the hot air duct.  
 10. Do not touch the hot air hose.  
 11. Do not touch the hot air pipe.  
 12. Do not touch the hot air valve.  
 13. Do not touch the hot air cap.  
 14. Do not touch the hot air cover.  
 15. Do not touch the hot air shield.  
 16. Do not touch the hot air guard.  
 17. Do not touch the hot air plate.  
 18. Do not touch the hot air ring.  
 19. Do not touch the hot air gasket.  
 20. Do not touch the hot air seal.  
 21. Do not touch the hot air O-ring.  
 22. Do not touch the hot air grommet.  
 23. Do not touch the hot air bush.  
 24. Do not touch the hot air sleeve.  
 25. Do not touch the hot air collar.  
 26. Do not touch the hot air band.  
 27. Do not touch the hot air strap.  
 28. Do not touch the hot air tie.  
 29. Do not touch the hot air clip.  
 30. Do not touch the hot air fastener.

87505



86201



86102-LEJ2

**CAUTIONS**

Before starting the engine, the side stand shall be kicked up to secure safety.

87541-GAR1

**CAUTIONS**

Never put any article between the rear side cover and the engine to avoid interference of riding.

87542



86282

86283



86221

86231

**ENGINE OIL**

Make sure to use KYMCO-recommended SIGMA 4-stroke engine oil.

- Full Capacity 0.85ℓ
- Exchange Capacity 0.70ℓ

After refilling, check the oil level with dipstick.

KBC-E00

87541-KGBG



86284

86286



87556



86285

86287

TRADE NAME: KYMCO

VEHICLE CATEGORY: A

1. KYMCO LCD1 181  
 2. KEA8  
 3. KYMCO KEB7 #18  
 4. KYMCO KEB7  
 5. KYMCO KEB7  
 6. KYMCO KEA6  
 7.  
 8. KYMCO LHB3 181  
 9. KEA8 #18.5  
 10. KEB7 #18.5  
 11. LHB3  
 12.

87224

Sales mark	Ref no	Part no	Ver	Description	Reg description	Regd no	F22
**	86102-LEJ2	86102-LEJ2-E00	2	STRIPE K-LOGO 22MM	STRIPE K-LOGO 22MM	1	
**	86102-LHB3	86102-LHB3-E00	2	MARK KYMCO	MARK KYMCO	2	
**	86201	86201-LHB3-E00	0	STRIPE BODY COVER	STRIPE BODY COVER	2	
**	86221	86221-LHB3-E00	0	STRIPE R BODY COVER	STRIPE R BODY COVER	1	
**	86231	86231-LHB3-E00	0	STRIPE L BODY COVER	STRIPE L BODY COVER	1	
**	86282	86282-LHB3-E00	0	STRIPE R FR COVER	STRIPE R FR COVER	1	
**	86283	86283-LHB3-E00	0	STRIPE L FR MOLD	STRIPE L FR MOLD	1	
**	86284	86284-LHB3-E00	0	STRIPE B R SIDE MOLD	STRIPE B R SIDE MOLD	1	
**	86285	86285-LHB3-E00	0	STRIPE C L SIDE MOLD	STRIPE C L SIDE MOLD	1	
**	86286	86286-LHB3-E00	0	STRIPE B L SIDE MOLD	STRIPE B L SIDE MOLD	1	
**	86287	86287-LHB3-E00	0	STRIPE C L SIDE MOLD	STRIPE C L SIDE MOLD	1	
**	87140	87140-LHB3-E00	0	STRIPE MARK 50-2T	STRIPE MARK 50-2T	2	
	87224	87224-LHB3-EZ0	0	CAUTION ANTI TAMPERING	CAUTION ANTI TAMPERING	1	
	87505	87505-LEJ2-E01	1	LABEL TIRE	LABEL TIRE	1	
**	87541-GAR1	87541-GAR1-E01	1	MARK SIDE STAND	MARK SIDE STAND	1	
**	87542	87542-GAR1-E01	2	MARK MAINT CAUTION	MARK MAINT CAUTION	1	
**	87556	87556-LHB3-E00	0	STRIPE GRAB RR	STRIPE GRAB RR	2	

## PART NO. INDEX

PART NO.	VERSION	PAGE	PART NO.	VERSION	PAGE	PART NO.	VERSION	PAGE	
<b>11000</b>			13101-GLW0-901	2	E03	17112-KEB7-900	1	E01	
			13111-1F66-001	2	E03	17200-LCD1-E00	1	F13	
			13115-1F56-001	0	E03	17205-KFA6-900	0	F13	
	11100-KEB7-900	9	E01			1723A-LCD1-E00	1	F13	
	11102-1G87-0040	1	E01	<b>14000</b>		1723B-LCD1-E00	1	F13	
	11108-KEB7-900	0	E07			17502-1G87-001	0	F10	
	11200-KFA6-900	2	E01	14100-KEB7-900	0	E01	1750A-LEJ2-E10	0	F10
	11205-GHAH-004	0	E04			17620-LBA8-C10	0	F10	
	11205-KED5-900	0	E01	<b>15000</b>		17683-LHB3-E10	0	F10	
	11208-LHB3-E10	0	F18			17684-LHB3-E10	0	F10	
11341-KFA6-900	0	E04	15100-KEB7-E00	0	E06	17910-LHB3-E10	0	F03	
11345-LHB3-E10	0	F20	1510A-LCD1-E00	1	E06				
11395-KFA6-900	0	E04	15110-KEB7-900	0	E06	<b>18000</b>			
11396-KFA6-900	0	E04	1551A-LCD1-E00	0	E06				
<b>12000</b>			<b>16000</b>			18291-KKC4-900	3	F14	
12101-KEB7-901	2	E02	1610K-KFA6-E05	1	E09	18291-LBA7-900	2	F14	
12191-KEB7-900	0	E02	1621A-GKAK-901	0	E01	18292-KEBE-9000	0	F14	
12201-KEB7-900	1	E02	1691A-LEJ2-E10	0	F10	18293-KECE-9000	0	F14	
12251-KEB7-900	0	E02	16950-LCA3-B50	0	F10	18294-KEBE-900	0	F14	
<b>13000</b>			<b>17000</b>			18295-KECE-900	0	F14	
1300A-GKAK-920	0	E03	17100-KEB7-901	1	E01	1830A-LHB3-E10	1	F14	
13011-GLW0-90A	4	E03	17111-KEB7-900	0	E01	18318-LCD1-E000	5	F14	
						18325-LCD3-E00	0	F14	
						18341-LCD1-E000	3	F14	
						1860A-KFB5-EZ0	2	F14	
						18618-KBE2-900	0	F21	

## PART NO. INDEX

PART NO.	VERSION	PAGE	PART NO.	VERSION	PAGE	PART NO.	VERSION	PAGE
18656-LHB3-E10	1	F21	22131-GHAH-781	0	E05	28255-GFS6-001	0	E05
18800-LHB3-E10	1	F21	22132-GLW0-001	2	E05	28281-GBN2-60A	1	E05
18806-KBE2-900	1	F21	22300-KXCX-900	2	E05	28300-KNBN-901	3	F15
18807-KBE2-900	3	F21						
18814-LHB3-E10	0	F21	<b>23000</b>			<b>30000</b>		
<b>19000</b>			23010-KEB7-220	0	E05	30410-LHB3-E10	0	F19
			2301A-KEB7-220	0	E05	3051A-KELE-901	4	F19
19411-KNBN-900	1	F20	23100-KEB7-900	0	E05			
19510-GBW2-901	2	E07	23200-GAR1-220	1	E05	<b>31000</b>		
19600-KEB7-900	0	E07	23220-GKAK-220	1	E05			
1962A-KEB7-E00	1	E07	23225-GAR1-751	0	E05	31100-LHB3-E10	0	E07
			23233-GHE8-001	2	E05	31110-KEB7-90A	2	E07
<b>21000</b>			23237-GAR1-220	0	E05	31120-LHB3-E10	1	E07
			23238-GGS7-011	0	E05	31200-LHB3-E10	0	E06
21200-KFA6-900	0	E08	23411-KFA6-900	0	E08	31209-GKAK-901	3	E06
21395-KFA6-900	0	E08	23420-KFA6-900	0	E08	31500-GFY6-94A	4	F11
			23431-LHB3-E10	0	E08	31600-LCD3-E0B	2	F19
<b>22000</b>			23432-KFA6-900	0	E08			
			<b>28000</b>			<b>32000</b>		
22100-GAR1-751	0	E05				32100-LHB3-E10	2	F19
22102-KEB7-900	0	E05				32101-GFY6-901	1	F04
22103-KEB7-900	0	E05	28211-KEB7-900	1	E05			
22105-KEB7-E00	1	E05	2823A-GKAK-900	0	E05			
22110-KFA1-220	0	E05	28250-KCCC-900	2	E05			
22121-GLW0-901	2	E05	28253-GBN2-60A	0	E05			

## PART NO. INDEX

PART NO.	VERSION	PAGE	PART NO.	VERSION	PAGE	PART NO.	VERSION	PAGE
<b>33000</b>			3520A-LEJ2-E10	0	F03	<b>43000</b>		
33100-LHB3-E10	0	F01	35340-KKJ9-010	5	F03	4312A-KUDU-900	4	F08
33102-LHB3-E10	0	F01	35400-LHB3-E10	0	F19	43141-LCD3-E00	2	F08
33400-LEJ2-E10	0	F17	35410-LHB3-E10	0	F10	4314A-LCD3-E00	2	F08
33450-LEJ2-E10	0	F17	<b>37000</b>			43410-LCD3-E00	2	F08
33700-LEJ2-E10	0	F18	37200-LHB3-E1A	0	F02	43450-LHB3-E10	0	F03
33702-LEJ2-E10	0	F18	37201-LHB3-E1A	0	F02	43452-GKAK-901	0	F03
33720-LEJ2-E10	0	F18	37224-LHB3-E10	1	F02	43472-KHG8-001	1	F03
33731-LDC8-M30	0	F06	37802-GGA7-701	0	F10	43472-LEJ3-E10	0	F08
33741-KEBE-900	0	F18	3780A-LEJ2-E10	0	F10	<b>44000</b>		
<b>34000</b>			<b>38000</b>			44301-KXCX-900	4	F07
34901-LDC8-E10	0	F01	38110-KGC4-B50	1	F19	44311-0F46-001	0	F07
34903-LDC8-E10	0	F01	38300-KECE-900	2	F19	44600-LEJ3-E10	0	F07
<b>35000</b>			38500-KKDK-900	3	F19	44601-LEJ3-E10	0	F07
35010-LEJ2-E10	0	F19	3860A-LEJ2-E10	1	F19	44620-KFLF-930	1	F07
35151-LGB5-E10	1	F03	<b>42000</b>			44680-4L10-001	0	F07
35152-KGBG-900	2	F03	42600-LEJ3-E10	0	F08	44710-LEJ3-E10	0	F07
3515A-LGB5-E10	3	F03	42601-LEJ2-E10	0	F08	44800-KFA6-900	0	F07
35201-LGB5-E10	1	F03	42710-LEJ3-E10	0	F08	44830-LCD3-E00	4	F02
35202-KGBG-900	3	F03						

## PART NO. INDEX

PART NO.	VERSION	PAGE	PART NO.	VERSION	PAGE	PART NO.	VERSION	PAGE	
<b>45000</b>			50535-KEB7-W10	3	F15	51520-LEJ2-E10	0	F06	
			50550-KEB7-E00	1	F15	<b>52000</b>			
			50613-LEJ2-E10	0	F20				
			50650-LEJ2-E10	0	F20				
	45105-LEJ2-E10	0	F04	50711-LEJ2-E10	2	F20	52400-LHB3-E10	0	F16
	45106-LEJ2-E10	0	F04	50712-LEJ2-E10	3	F20	<b>53000</b>		
	45121-LEJ2-E10	0	F07	5071A-LEJ2-E10	0	F20			
	45126-LEJ2-E10	3	F04	5071B-LEJ2-E10	0	F20			
	45200-LEJ2-E1B	0	F04				53100-LEJ2-E10	3	F03
45500-LDC8-E10	1	F04	<b>51000</b>			53102-KEC8-900	0	F03	
4550B-LEJ2-E10	0	F04		51400-LEJ2-E10	0	F06	53105-LBB5-E00	2	F03
45517-KFAF-910	0	F04		51400-LEJ2-E10	1	F06	53140-LEJ2-E10	0	F03
<b>50000</b>			51400-LEJ2-E10	2	F06	53166-LEJ2-E10	0	F03	
	50100-LHB3-E10	0	F20	51401-LEJ2-E10	0	F06	53175-LDC8-E10	1	F04
	50301-KGN7-671	2	F20	51410-LEJ2-E10	0	F06	53178-LCD1-E00	3	F03
	50302-2H68-011	2	F20	51412-LEJ2-E10	0	F06	5317B-LCD1-E00	2	F03
	50306-1F96-001	0	F06	51420-LEJ2-E10	0	F06	53200-LEJ2-E10	0	F06
	50326-LEJ2-E10	0	F12	51422-LEJ2-E10	0	F06	53205-LEJ2-E10	0	F03
	50350-LHB3-E10	2	F20	51427-LEJ2-E10	0	F06	53205-LEJ2-E10	4	F03
	50500-LHB3-E10	0	F15	51428-LEJ2-E10	0	F06	53205-LEJ2-E10	5	F03
	50503-KEB7-900	1	F15	51429-LEJ2-E10	0	F06	53206-LEJ2-E10	0	F03
	50505-KKD7-900	1	F15	51437-LEJ2-E10	0	F06	53211-GFY6-940	1	F06
5050A-LHB3-E10	0	F15	51500-LEJ2-E10	0	F06	53212-2L50-011	1	F06	
50530-LEJ2-E10	0	F15	51500-LEJ2-E10	1	F06	53214-2L50-001	2	F06	
50531-KEB7-E00	1	F15	51500-LEJ2-E10	2	F06	53215-2L50-001	1	F06	

## PART NO. INDEX

PART NO.	VERSION	PAGE	PART NO.	VERSION	PAGE	PART NO.	VERSION	PAGE	
<b>55000</b>			64303-LEJ2-E10	0	F05	80105-LEJ2-E10	0	F18	
			64305-LEJ2-E10	0	F05	80106-LEJ2-E10	1	F18	
			64306-LEJ2-E10	0	F05	80107-KHLH-900	0	F14	
	55100-LHB3-E10	0	F10	64307-LEJ2-E10	0	F05	80151-LEJ2-E10	0	F12
	55106-KEB7-900	2	F10	64308-LEJ2-E10	0	F05			
5510A-LHB3-E10	0	F10	64309-LEJ2-E10	0	F05	<b>81000</b>			
55121-LCD1-E00	2	F10	64310-LEJ2-E10	0	F05				
55200-LCD1-E00	1	E06	64313-LEJ2-E10	0	F05	81131-LEJ2-E10	0	F05	
<b>61000</b>			64316-LCB9-C10	0	F05	81132-LCB9-C10	0	F05	
			64316-LCB9-C10	0	F12	81132-LEJ2-E10	0	F05	
			64323-LEJ2-E10	0	F05	81133-KGBG-9000	0	F05	
	61100-LEJ2-E10	0	F06	64400-LEJ2-E10	0	F05	81134-KGBG-9000	2	F05
	61110-LDC8-E90	0	F06				81200-LEJ2-E10	0	F12
61112-LDC8-E90	0	F06	<b>77000</b>			81250-LHB3-E10	0	F12	
6111A-LDC8-E90	0	F06							
<b>64000</b>			77200-LEJ2-E10	0	F09	<b>83000</b>			
			77232-KCAC-901	2	F12				
			77235-KGC4-E0B	2	F19	83500-LEJ2-E10	0	F12	
	64206-MLJ0-001	1	F06	77240-LEJ2-E10	5	F19	83510-LEJ2-E10	0	F12
	64210-LEJ2-E10	0	F03				83520-LEJ2-E10	0	F12
64214-LEJ2-E10	0	F03	<b>80000</b>			83550-KEC8-900	2	F03	
64215-LEJ2-E10	0	F03				83551-KEC8-900	0	F03	
64224-LEJ2-E10	0	F03	80100-LHB3-E10	0	F18	83600-LEJ2-E10	0	F12	
64225-LEJ2-E10	0	F03	80101-LEJ2-E10	0	F18	83610-LEJ2-E10	0	F12	
64301-LEJ2-E10	1	F05	80102-LCD1-E00	1	E01	83620-LEJ2-E10	0	F12	
64302-LEJ2-E10	0	F05	80103-LCD1-E00	1	F18	83750-LEJ2-E10	0	F12	

## PART NO. INDEX

PART NO.	VERSION	PAGE	PART NO.	VERSION	PAGE	PART NO.	VERSION	PAGE
<b>86000</b>			<b>88000</b>			90111-1G87-00A	1	F12
86102-LEJ2-E00	2	F22	88110-LEB5-C10	1	F03	90112-KRDR-900	0	F19
86102-LHB3-E00	0	F22	88120-LEB5-C10	1	F03	90116-LEJ2-E10	0	F06
86102-LHB3-E00	2	F22				90120-GAR1-J00	0	E01
86201-LHB3-E00	0	F22	<b>89000</b>			90121-GFY6-901	1	F20
86221-LHB3-E00	0	F22				90131-GLW0-911	0	F04
86231-LHB3-E00	0	F22	89010-GGS7-C00	3	F09	90145-9A61-011	1	F04
86282-LHB3-E00	0	F22	89020-KKC4-900	1	F09	90301-GFY6-901	1	F14
86283-LHB3-E00	0	F22				90301-LEJ2-E10	1	F10
86284-LHB3-E00	0	F22	<b>90000</b>			90302-GFY6-901	1	F03
86285-LHB3-E00	0	F22				90302-GFY6-901	1	F06
86286-LHB3-E00	0	F22	90001-GKAK-901	0	E02	90302-SDA4-004	1	F05
86287-LHB3-E00	0	F22	9000A-KTDT-900	0	E04	90302-SDA4-004	1	F12
			90105-KCR3-001	1	F07	90304-GHE8-004	4	F03
<b>87000</b>			90106-GEN5-901	1	F03	90304-GHE8-004	4	F20
87140-LHB3-E00	0	F22	90106-GFY6-901	0	F20	90305-GHK8-001	1	F03
87224-LHB3-EZ0	0	F22	90106-KFAF-900	2	F20	90305-GHK8-001	1	F06
87505-LEJ2-E01	1	F22	90106-KFC2-900	0	F03	90305-GHK8-001	1	F12
87541-GAR1-E01	1	F22	90106-KUDU-900	1	F20	90305-KNBN-90B	0	F08
87541-KGBG-E00	0	F22	90108-KFA6-E00	1	F15	90306-KLF0-004	4	F07
87542-GAR1-E01	2	F22	90110-GLW0-001	0	F05	90381-GEZ5-001	1	F12
87556-LHB3-E00	0	F22	90110-KEB7-900	1	F06	90412-3K29-001	0	E05
87560-KNBN-E00	1	F22	90110-LCD1-E00	2	F14	90426-KNBN-901	0	E05
			90111-1G87-001	0	F05	90429-KNBN-901	0	E08
						90451-GBN2-601	0	E05
						90474-3C33-001	1	E01

## PART NO. INDEX

PART NO.	VERSION	PAGE	PART NO.	VERSION	PAGE	PART NO.	VERSION	PAGE
90501-KNBN-901	0	F08	91251-LEJ2-E10	0	F06	93903-34380	0	F03
90544-LEJ2-E10	0	F06	91252-0L30-00A	0	F07	93903-34380	0	F05
90545-3L00-001	2	F04	91254-LEJ2-E10	0	F06	93903-34380	0	F12
90652-KTCT-900	1	F13	91255-GLE0-004	0	E08	93903-34380	0	F17
90656-GFY6-911	1	F03	91258-4L10-00A	1	F07	93903-34380	0	F18
90656-KUDU-900	0	F19	91301-KEA5-742	0	E05	93903-35220	0	F02
90668-LEJ2-E10	0	F06	91302-PKA9-004	0	E05	93903-35220	0	F03
90683-GAR1-004	4	F05	91352-KHG8-83A	0	F08	93903-GFY6-900	2	F05
90683-GAR1-004	4	F18				93903-GFY6-900	2	F12
			<b>92000</b>			93903-GFY6-900	2	F18
<b>91000</b>						<b>94000</b>		
			92700-06028-1B	0	E02			
91001-GLW0-90A	6	E01						
91004-KBN2-90A	0	E01	<b>93000</b>			94001-12280-0S	0	E05
91004-KBN2-90A	0	E08				94050-05080	0	F06
91004-KNBN-92A	0	E01	93404-06012-07	0	F05	94050-05080	0	F18
91006-KNBN-901	5	E01	93404-06012-07	0	F18	94050-06080	0	F09
91009-GLE0-004	1	E08	93404-06012-07	0	F20	94050-06080	0	F20
91014-LLJ3-E00	1	F06	93404-06016-07	0	F10	94050-10080	0	E05
91015-LLJ3-E00	1	F06	93404-06020-07	0	F05	94050-10080	0	E07
91102-GLW0-009	0	E03	93404-06020-07	0	F18	94101-06700	0	F14
91201-KNBN-92A	0	E01	93404-06022-07	0	F06	94102-08800	0	F15
91202-KNBN-92A	0	E01	93500-05012-0H	0	E06	94201-20150	0	F15
91202-KNBN-92A	0	E05	93500-05025	0	F03	94301-10200	0	E01
91204-KNBN-90A	1	E01	93700-05018-0H	0	F02	94510-20000	0	E08
91211-GHK8-014	0	E05	93903-34380	0	F01	94511-14000	0	E05

## PART NO. INDEX

PART NO.	VERSION	PAGE	PART NO.	VERSION	PAGE	PART NO.	VERSION	PAGE
94608-LEJ2-E10	0	F06	95801-08032-08	0	F16	<b>98000</b>  98076-5871G-00 98200-10700		
<b>95000</b>			95801-08040-08	0	F06			
			95801-08050-06	1	F14			
		95801-10035-08	0	F16				
95002-KKD6-E05	0	F21	95801-10100-08	0	F20			
95012-LEJ2-E10	0	F11	95801-10130-08	0	F20			
95701-06012-08	0	F03	95801-KFA6-E00	1	F14			
95701-06012-08	0	F06						
95701-06012-08	0	F10	<b>96000</b>					
95701-06012-08	0	F19						
95701-06014-08	0	F19	96001-06008-07	1	F14			
95701-06016-08	0	F19	96001-06010-08	0	F14			
95701-06016-08	0	F20	96001-06012-08	0	E07			
95701-06020-07	0	F14	96001-06012-08	0	F18			
95701-06020-08	0	F03	96001-06016-08	0	E07			
95701-06022-07	0	F15	96001-06016-08	0	F18			
95701-06025-08	0	E07	96001-06022-08	0	E07			
95701-06032-08	0	F08	96001-06022-08	0	F04			
95701-06035-08	0	E01	96001-06025-08	0	E01			
95701-06040-08	0	E01	96001-06025-08	0	E06			
95701-06040-08	0	F13	96001-06032-08	0	E06			
95701-08012-08	0	E01	96001-06040-07	0	F20			
95701-08012-08	0	F19	96001-06045-08	0	E01			
95701-08028-08	0	F12	96001-06055-08	0	E01			
95701-08040-08	3	F12	96100-62033-00	0	E01			
95701-LDC8-E10	0	F19	96120-63010-10	0	F07			