

PARTS CATALOGUE



ATV

LAA0CD(GM)

MXU 500(4*4/IRS)



Date : 2009/02/12

ABOUT THIS PARTS LIST

- This parts list is compiled all service parts for model LAA0CD(GM).
- Any difference between color chart and motorcycle will be revised according to motorcycle.
- The sales mark:
 1. marking "***" must add color code in the end before ordering parts.
- When modification or additions to this parts list are made a revised edition at an appropriate time.

CONTENTS

● ABOUT THIS PARTS LIST	1
● COLOR CHART OF LAA0CD(GM)	3
● CONTENTS-ENGINE GROUP	9
● CONTENTS-FRAME GROUP	10
● ENGINE PARTS LIST	14
● FRAME PARTS LIST	62
● PART NO. INDEX	150

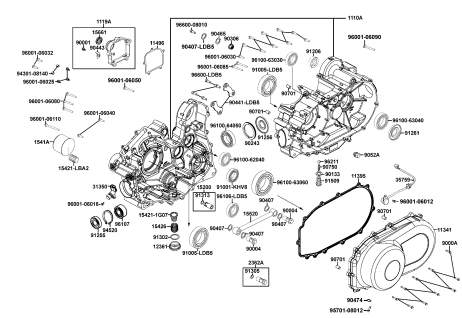
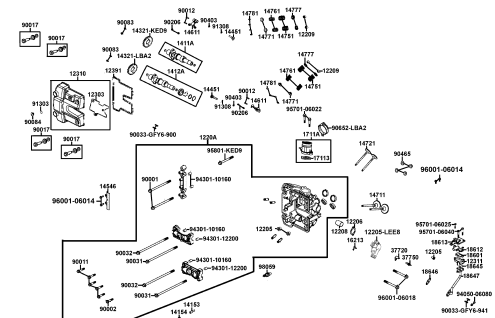
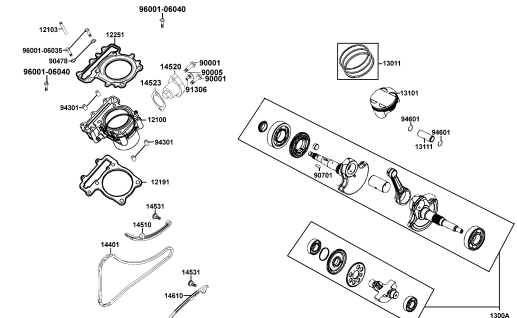
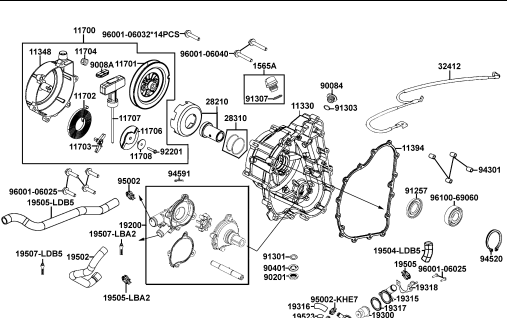
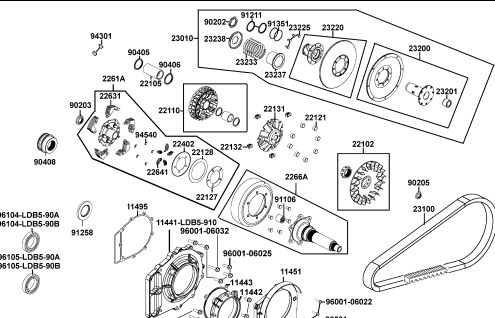
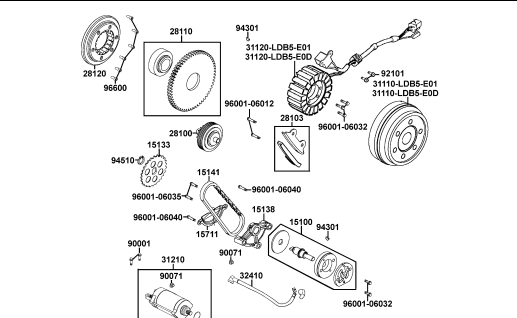
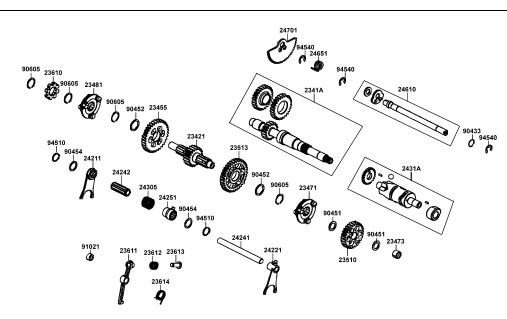
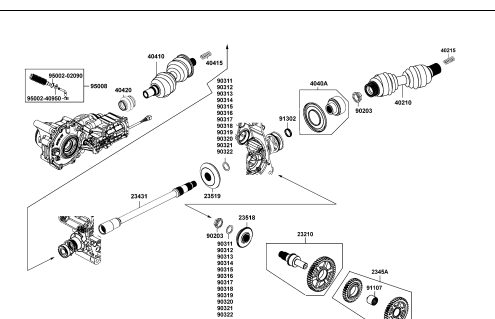
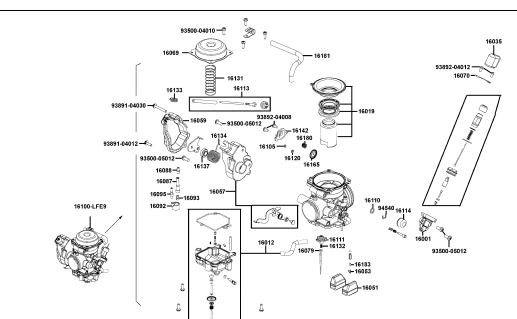
NO	MODEL			LAA0CD(GM) COLOR CHART			
	PHOTO NO			NO. 1	NO. 2	NO. 3	NO. 4
	BASIC COLOR			Deep Blue	Red	Deep Green	White
	CODE			Deep Blue	Red	Deep Green	White
	PARTS NAME	PARTS NO.	VERSION	PB246SA	RR338SA	GG345SA	NH195SA
1	COVER TANK	17700-LDB5-E00	2	CHR	E4R	GWR	HGR
2	COVER HANDLE	53205-LDB5-E00	3				
3	FENDER FRONT	60100-LDB5-E00	5				
4	LID ASSY TOOL BOX	6010C-LDB5-E00	3				
5	FENDER REAR	80100-LDB5-E00	5				
6	RIM COMP RR WHEEL	42705-LFE9-E00	2	MAS			
7	RIM COMP FR WHEEL	44705-LFE9-E00	1				
8	REAR CARRIER	77330-LDB5-E00	4				
9	FRONT CARRIER	77430-LDB5-E00	2				
10	PIPE COMP FR BUMPER	85100-LFE9-E00	1				
11	CUSHION ASSY FR	51400-LFE9-E00	2	MBS		MAS	
12	CUSHION ASSY RR	52400-LFE9-E00	3				
13	A-ARM ASSY FR UPPER	53400-LFE9-E00	1				
14	A-ARM ASSY FR LOWER	53450-LFE9-E00	1				
15	A-ARM ASSY FR UPPER	53500-LFE9-E00	1				
16	A-ARM ASSY FR LOWER	53550-LFE9-E00	1				
17	CONTROL ARM ASSY	54400-LFE9-E00	0				
18	CONTROL ARM ASSY	54450-LFE9-E00	2				
19	CONTROL ARM ASSY	54500-LFE9-E00	0				
20	CONTROL ARM ASSY	54550-LFE9-E00	2				
21	"COVER, WIRE STAY"	16059-LDB5-E00	3	N1R			
22	GUIDE COVER CHANGE	60120-LDB5-E00	3				
23	PROTECTOR R	60130-LFE9-E00	0				
24	PROTECTOR L	60140-LFE9-E00	0				
25	MUDGUARD FRONT	60200-LDB5-E00	2				
DATE OF STARTING-SALES							
DATE OF END-SALES							

NO	MODEL			LAA0CD(GM) COLOR CHART			
	PHOTO NO			NO. 5	NO. 6	NO. 7	
	BASIC COLOR			Grayish	Black	Yellow Ochre	
	CODE			Grayish	Black	Yellow Ochre	
	PARTS NAME	PARTS NO.	VERSION	NH251SA	NH001SA	YR160SA	
1	COVER TANK	17700-LDB5-E00	2	HYR	N1R	YSR	
2	COVER HANDLE	53205-LDB5-E00	3				
3	FENDER FRONT	60100-LDB5-E00	5				
4	LID ASSY TOOL BOX	6010C-LDB5-E00	3				
5	FENDER REAR	80100-LDB5-E00	5				
6	RIM COMP RR WHEEL	42705-LFE9-E00	2	MAS			
7	RIM COMP FR WHEEL	44705-LFE9-E00	1				
8	REAR CARRIER	77330-LDB5-E00	4				
9	FRONT CARRIER	77430-LDB5-E00	2				
10	PIPE COMP FR BUMPER	85100-LFE9-E00	1				
11	CUSHION ASSY FR	51400-LFE9-E00	2				
12	CUSHION ASSY RR	52400-LFE9-E00	3				
13	A-ARM ASSY FR UPPER	53400-LFE9-E00	1				
14	A-ARM ASSY FR LOWER	53450-LFE9-E00	1				
15	A-ARM ASSY FR UPPER	53500-LFE9-E00	1				
16	A-ARM ASSY FR LOWER	53550-LFE9-E00	1				
17	CONTROL ARM ASSY	54400-LFE9-E00	0				
18	CONTROL ARM ASSY	54450-LFE9-E00	2				
19	CONTROL ARM ASSY	54500-LFE9-E00	0				
20	CONTROL ARM ASSY	54550-LFE9-E00	2				
21	"COVER, WIRE STAY"	16059-LDB5-E00	3	N1R			
22	GUIDE COVER CHANGE	60120-LDB5-E00	3				
23	PROTECTOR R	60130-LFE9-E00	0				
24	PROTECTOR L	60140-LFE9-E00	0				
25	MUDGUARD FRONT	60200-LDB5-E00	2				
DATE OF STARTING-SALES							
DATE OF END-SALES							

NO	MODEL			LAA0CD(GM) COLOR CHART							
	PHOTO NO			NO. 1	NO. 2	NO. 3	NO. 4				
	BASIC COLOR			Deep Blue	Red	Deep Green	White				
	CODE			Deep Blue	Red	Deep Green	White				
	PARTS NAME	PARTS NO.	VERSION	PB246SA	RR338SA	GG345SA	NH195SA				
26	MUDGUARD R FR SIDE	61200-LDB5-E00	3	N1R							
27	MUDGUARD L FR SIDE	61300-LDB5-E00	3								
28	PLATE SKID	64300-LFE9-E00	3								
29	BUMPER FRONT	64302-LDB5-E00	3								
30	COVER ASSY FRONT	6430A-LDB5-E00	1								
31	GUARD R BOOT	64330-LFE9-E00	0								
32	GUARD L BOOT	64340-LFE9-E00	0								
33	COVER ASSY CARRIER	7734A-LDB5-E00	2								
34	MUDGUARD R FLOOR	80121-LDB5-E00	5								
35	MUDGUARD L FLOOR	80122-LDB5-E00	5								
36	MUDGUARD REAR	80200-LDB5-E00	2								
37	MUDGUARD R RR SIDE	81200-LDB5-E00	2								
38	MUDGUARD L RR SIDE	81300-LDB5-E00	2								
39	COVER R SIDE	83500-LDB5-E00	2								
40	COVER L SIDE	83600-LDB5-E00	2								
41	COVER FUEL COCK	16951-LDB5-E00	2					N1R			
42	GUARD FUEL TANK	17550-LDB5-E00	1								
43	COVER COMP HEAD	12310-LDB5-E00	1					N8A			
44	COVER LEFT	11341-LDB5-E00	5					NEA			
45	COVER STARTING	11348-LDB5-E00	2								
46	CALIPER ASSY RR BRK	43200-LFE9-E00	3	NJA							
47	CALIPER ASSY FR BRK-	45100-LFE9-E00	2								
48	CALIPER ASSY FR BRK-	45200-LFE9-E00	2								
49	SEAT ASSY	77200-LFE9-E00	0	T01							
50	EMB K-LOGO '28.5mm-	86102-LDB5-900	3								
DATE OF STARTING-SALES											
DATE OF END-SALES											

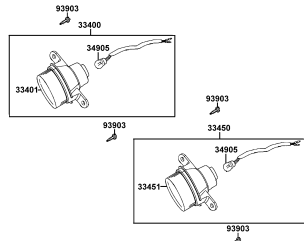
NO	MODEL			LAA0CD(GM) COLOR CHART							
	PHOTO NO			NO. 5	NO. 6	NO. 7					
	BASIC COLOR			Grayish	Black	Yellow Ochre					
	CODE			Grayish	Black	Yellow Ochre					
	PARTS NAME	PARTS NO.	VERSION	NH251SA	NH001SA	YR160SA					
26	MUDGUARD R FR SIDE	61200-LDB5-E00	3	N1R							
27	MUDGUARD L FR SIDE	61300-LDB5-E00	3								
28	PLATE SKID	64300-LFE9-E00	3								
29	BUMPER FRONT	64302-LDB5-E00	3								
30	COVER ASSY FRONT	6430A-LDB5-E00	1								
31	GUARD R BOOT	64330-LFE9-E00	0								
32	GUARD L BOOT	64340-LFE9-E00	0								
33	COVER ASSY CARRIER	7734A-LDB5-E00	2								
34	MUDGUARD R FLOOR	80121-LDB5-E00	5								
35	MUDGUARD L FLOOR	80122-LDB5-E00	5								
36	MUDGUARD REAR	80200-LDB5-E00	2								
37	MUDGUARD R RR SIDE	81200-LDB5-E00	2								
38	MUDGUARD L RR SIDE	81300-LDB5-E00	2								
39	COVER R SIDE	83500-LDB5-E00	2								
40	COVER L SIDE	83600-LDB5-E00	2								
41	COVER FUEL COCK	16951-LDB5-E00	2								
42	GUARD FUEL TANK	17550-LDB5-E00	1								
43	COVER COMP HEAD	12310-LDB5-E00	1					N8A			
44	COVER LEFT	11341-LDB5-E00	5					NEA			
45	COVER STARTING	11348-LDB5-E00	2								
46	CALIPER ASSY RR BRK	43200-LFE9-E00	3	NJA							
47	CALIPER ASSY FR BRK-	45100-LFE9-E00	2								
48	CALIPER ASSY FR BRK-	45200-LFE9-E00	2								
49	SEAT ASSY	77200-LFE9-E00	0	T01							
50	EMB K-LOGO '28.5mm-	86102-LDB5-900	3								
DATE OF STARTING-SALES											
DATE OF END-SALES											

CONTENTS - ENGINE GROUP

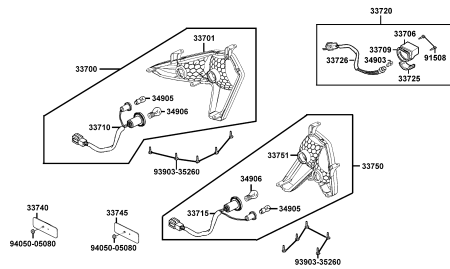
<p>E01 Crank Case</p> 	<p>E02 Cylinder Head Cover Cylinder</p> 	<p>E03 Cylinder Piston Crankshaft</p> 
<p>E04 Right Crankcase Cover Water</p> 	<p>E05 Drive Pulley</p> 	<p>E06 Starting Motor Generator</p> 
<p>E07 Clutch Assy Primary</p> 	<p>E08 Shaft Reduction</p> 	<p>E09 Carburetor</p> 

CONTENTS - FRAME GROUP

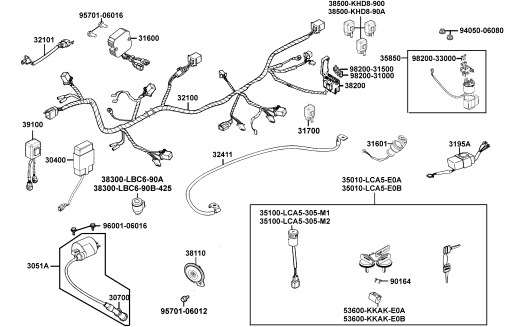
F19 Winker



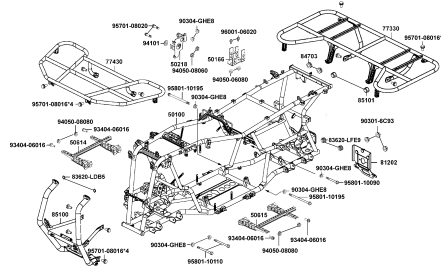
F20 Light Tail



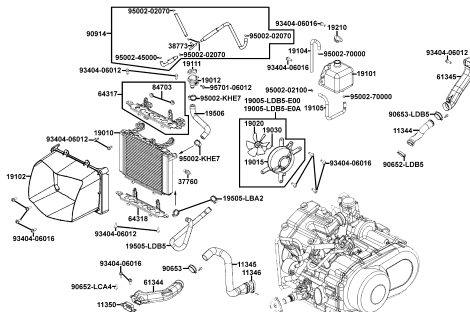
F21 Harness Wire



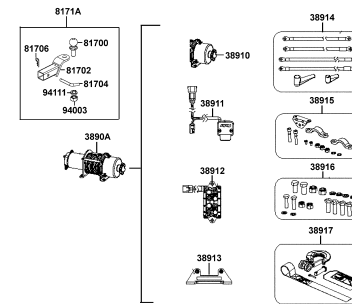
F22 Frame Body



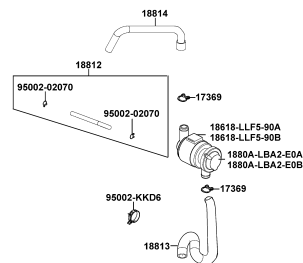
F23 Radiator



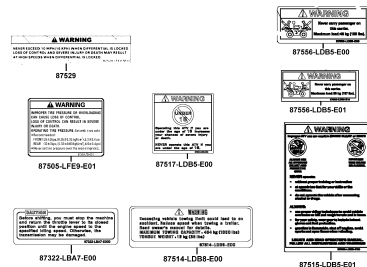
F24 Winch Comp



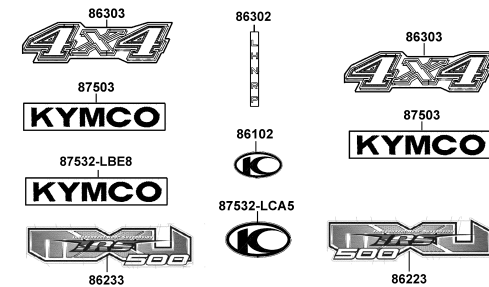
F25 Aicv



F26 Caution Label

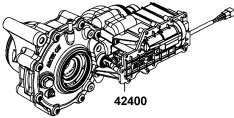


F27 EmblemStripe

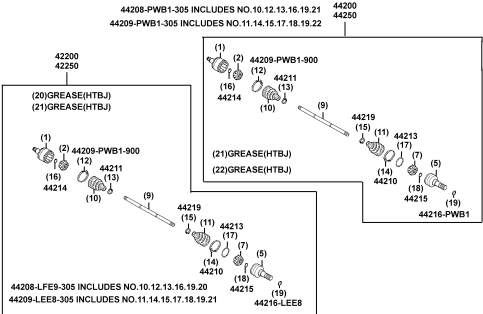


CONTENTS - FRAME GROUP

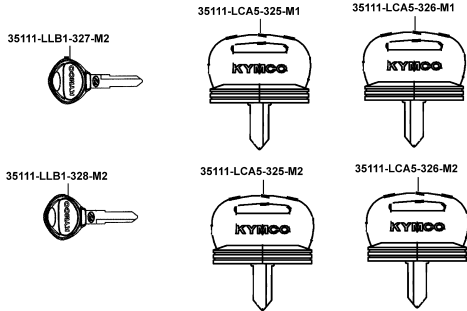
F28 Separated Parts Of Fr Final



F29 Separated Parts Of CVJ

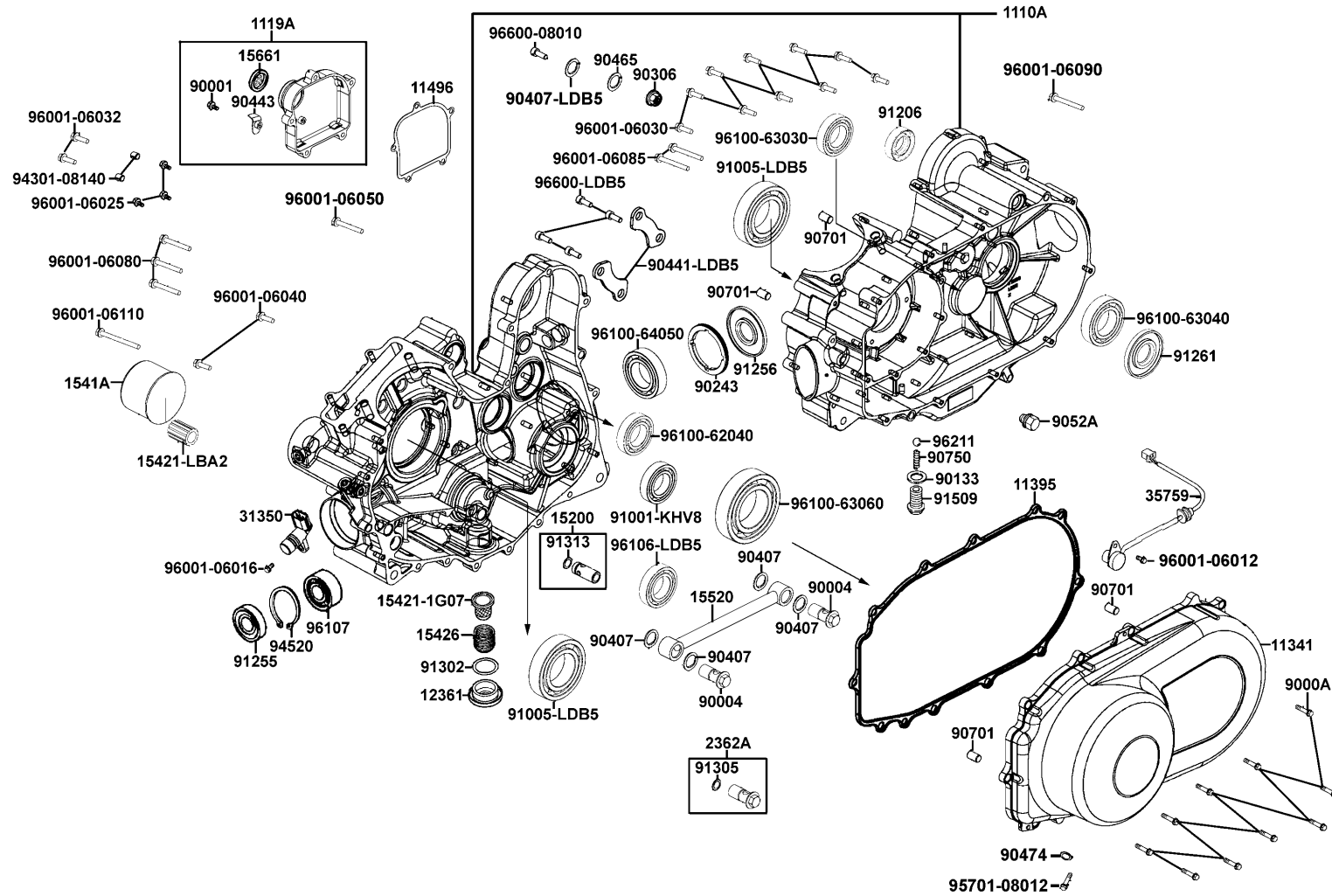


F30 Key Comp



E01

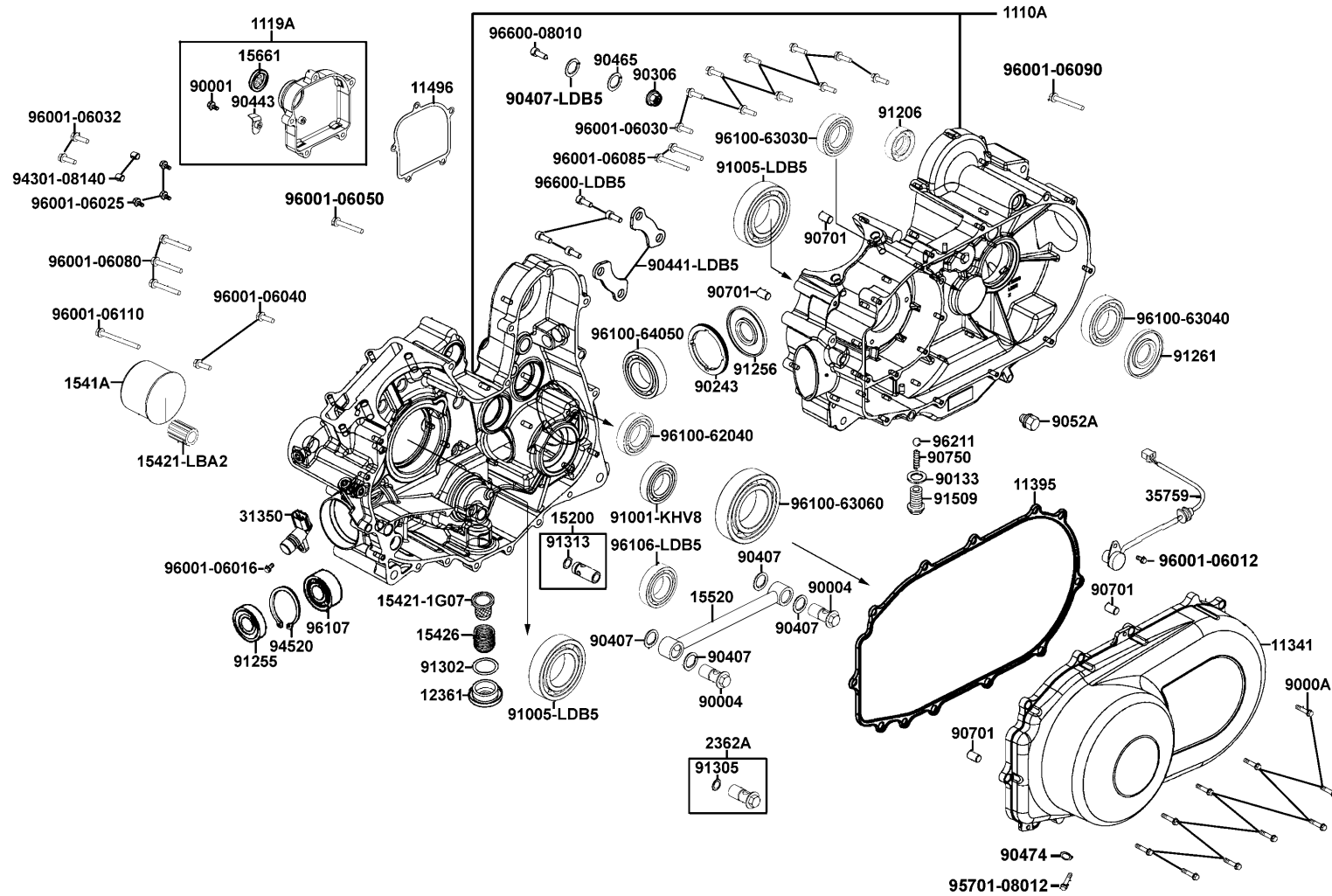
Crank Case



Sales mark	Ref no	Part no	Ver	Description	Reg description	Regd no	E01
	1110A	1110A-LDB5-E00	0	CASE ASSY R/L	CASE ASSY R/L	1	
	1119A	1119A-LDB5-E00	4	CAP ASSY R CASE	CAP ASSY R CASE	1	
**	11341	11341-LDB5-E00	5	COVER LEFT	COVER LEFT	1	
	11395	11395-LDB5-E00	1	GASKET L COVER	GASKET L COVER	1	
	11496	11496-LDB5-E00	3	GASKET R CASE CAP	GASKET R CASE CAP	1	
	12361	12361-GFY6-901	1	HOLE CAP TAPPET ADJUSTING	HOLE CAP TAPPET ADJUSTING	1	
	15200	15200-KED9-900	7	OIL RELIEF VALVE ASSY	OIL RELIEF VALVE ASSY	1	
	1541A	1541A-LBA2-E00	2	ELEMENT COMP OIL FILTER	ELEMENT COMP OIL FILTER	1	
	15421-1G07	15421-1G07-001	1	SCREEN OIL FILTER	SCREEN OIL FILTER	1	
	15421-LBA2	15421-LBA2-E00	2	BOLT OIL FILTER	BOLT OIL FILTER	1	
	15426	15426-GAE1-921	0	SPG OIL FILTER SCREEN	SPG OIL FILTER SCREEN	1	
	15520	15520-LDB5-E00	1	PIPE COMP OIL	PIPE COMP OIL	1	
	15661	15661-LBA7-900	1	FINDER OIL LEVEL	FINDER OIL LEVEL	1	
	2362A	2362A-LDB5-E00	1	BOLT ASSY PARK	BOLT ASSY PARK	1	
	31350	31350-LDB5-E0A	1	SENSOR SPEED	SENSOR SPEED	1	
	35759	35759-LDB5-E00	3	SW ASSY GEAR CHANGE	SW ASSY GEAR CHANGE	1	
	90001	90001-GFY6-901	1	SOCKET BOLT 6*10	SOCKET BOLT 6*10	1	
	90004	90004-LBA2-E00	3	BOLT B OIL PASS	BOLT B OIL PASS	2	
	9000A	9000A-KTDT-900	1	BOLT ASSY SPECIAL 6*29.5	BOLT ASSY SPECIAL 6*29.5	10	
	90133	90133-LDB5-E00	1	WASHER BOLT SEAT	WASHER BOLT SEAT	1	

E01

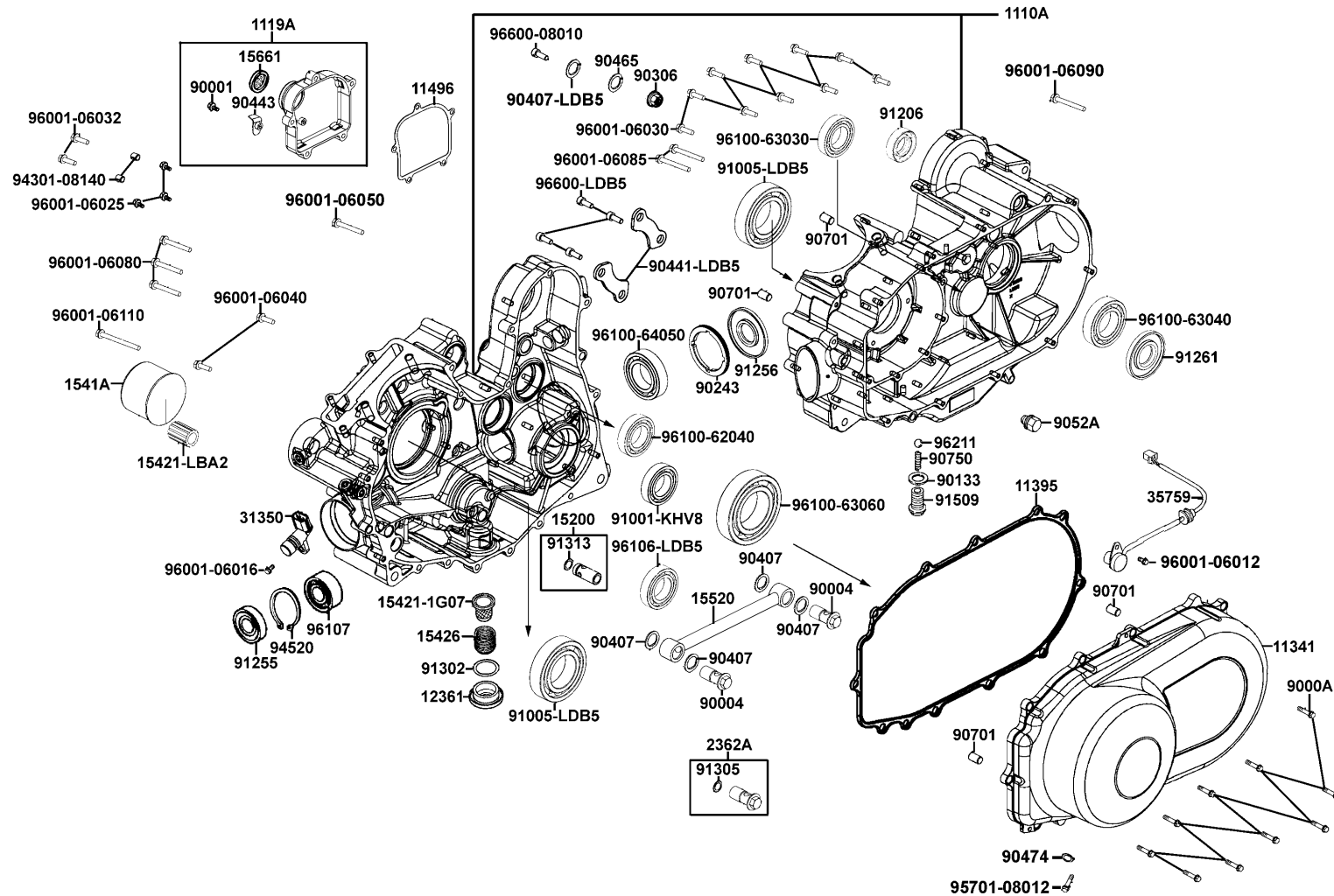
Crank Case



Sales mark	Ref no	Part no	Ver	Description	Reg description	Regd no	E01
	90243	90243-LDB5-E00	1	NUT LOCK 85MM	NUT LOCK 85MM	1	
	90306	90306-KLF0-004-SY	1	NUT FLANGE 12MM	NUT FLANGE 12MM	1	
	90407	90407-LBA2-E00	2	SEALING WASHER OIL PIPE	SEALING WASHER OIL PIPE	4	
	90407-LDB5	90407-LDB5-E00	0	WASHER THRUST 12*30*1	WASHER THRUST 12*30*1	1	
	90441-LDB5	90441-LDB5-E00	3	PLATE BRG HOLD	PLATE BRG HOLD	2	
	90443	90443-LDB5-E00	2	PLATE FINDER HOLD	PLATE FINDER HOLD	1	
	90465	90465-MDC4-001	0	WASHER 8MM	WASHER 8MM	1	
#	90474-3C33	90474-3C33-001	1	WASHER 8MM	WASHER 8MM	1	
	9052A	9052A-LDB5-E00	1	BOLT ASSY DRAIN PLUG	BOLT ASSY DRAIN PLUG	1	
	90701	90701-9E65-001	0	PIN DOWEL 10*16	PIN DOWEL 10*16	4	
	90750	90750-LDB5-E00	3	SPG STOPPER	SPG STOPPER	1	
	91001	91001-KHV8-004	0	BRG BALL RADIAL 6305	BRG BALL RADIAL 6305	1	
	91005	91005-LDB5-E00	1	BEARING BALL RADIAL 6205	BEARING BALL RADIAL 6205	2	
	91206	91206-LDB5-E00	0	OIL SEAL 14*24*7	OIL SEAL 14*24*7	1	
	91255	91255-LDB5-E00	1	OIL SEAL 35*67*7	OIL SEAL 35*67*7	1	
	91256	91256-LDB5-E00	1	OIL SEAL 35*90*7	OIL SEAL 35*90*7	1	
	91261	91261-LDB5-E00	2	OIL SEAL 30*72*8	OIL SEAL 30*72*8	1	
	91302	91302-0A01-021	0	O-RING 30.8M/M	O-RING 30.8M/M	1	
	91305	91305-GLE0-001	0	O-RING 9*1.7	O-RING 9*1.7	1	
	91313	91313-KED9-900	3	O-RING 15.5*1.5	O-RING 15.5*1.5	1	

E01

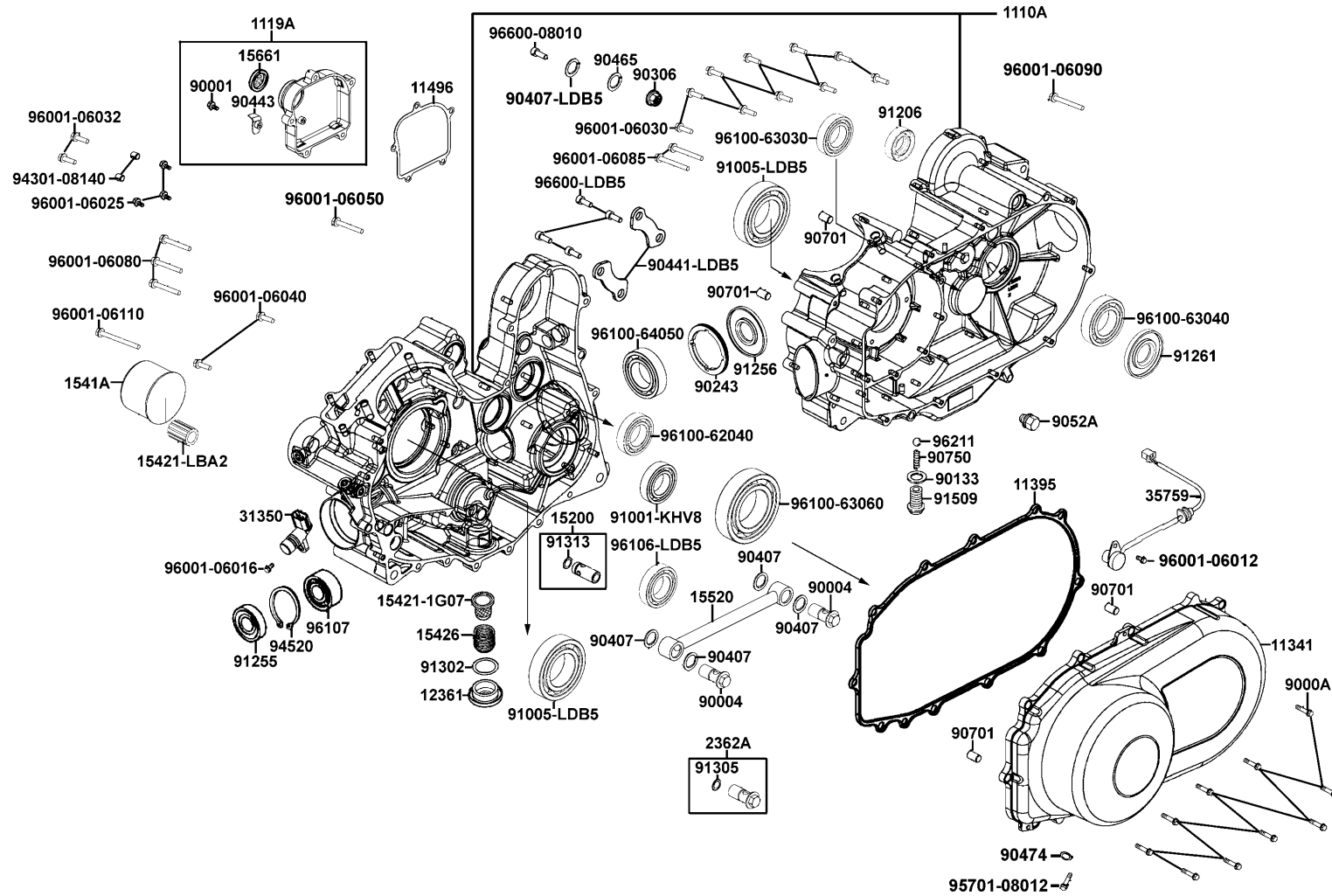
Crank Case



Sales mark	Ref no	Part no	Ver	Description	Reg description	Regd no	E01
	91509	91509-LDB5-E00	5	BOLT STOPPER	BOLT STOPPER	1	
	94301	94301-08140	0	DOWEL PIN 8*14	DOWEL PIN 8*14	2	
	94520	94520-65000	1	CIR CLIP IN 65	CIR CLIP IN 65	1	
#	95701-08012	95701-08012-08	0	BOLT FLANGE 8*12	BOLT FLANGE 8*12	1	
#	96001-06012	96001-06012-08	0	BOLT FLANGE 6*12	BOLT FLANGE 6*12	1	
	96001-06016	96001-06016-08	0	BOLT FLANGE SH 6*16	BOLT FLANGE SH 6*16	1	
#	96001-06025	96001-06025-08	0	BOLT FLANGE SH 6*25	BOLT FLANGE SH 6*25	3	
	96001-06030	96001-06030-08	0	BOLT FLANGE SH 6*30	BOLT FLANGE SH 6*30	10	
	96001-06032	96001-06032-08	0	BOLT FLANGE SH 6*32	BOLT FLANGE SH 6*32	2	
	96001-06040	96001-06040-08	0	BOLT FLANGE 6*40	BOLT FLANGE 6*40	2	
	96001-06050	96001-06050-08	0	BOLT FLANGE 6*50	BOLT FLANGE 6*50	1	
	96001-06080	96001-06080-08	0	BOLT FLANGE SH 6*80	BOLT FLANGE SH 6*80	3	
	96001-06085	96001-06085-08	0	BOLT FLANGE SH 6*85	BOLT FLANGE SH 6*85	2	
	96001-06090	96001-06090-08	0	BOLT FLANGE SH 6*90	BOLT FLANGE SH 6*90	1	
	96001-06110	96001-06110-08	0	BOLT FLANGE SH 6*110	BOLT FLANGE SH 6*110	1	
	96100-62040	96100-62040-00	0	BRG BALL RADIAL 6204	BRG BALL RADIAL 6204	1	
	96100-63030	96100-63030-00	0	BEARING BALL RADIAL 6303	BEARING BALL RADIAL 6303	1	
	96100-63040	96100-63040-00	1	BRG BALL RADIAL 6304	BRG BALL RADIAL 6304	1	
	96100-63060	96100-63060-00	0	BRG BALL RADIAL 6306	BRG BALL RADIAL 6306	1	
	96100-64050	96100-64050-00	1	BRG BALL RADIAL 6405	BRG BALL RADIAL 6405	1	

E01

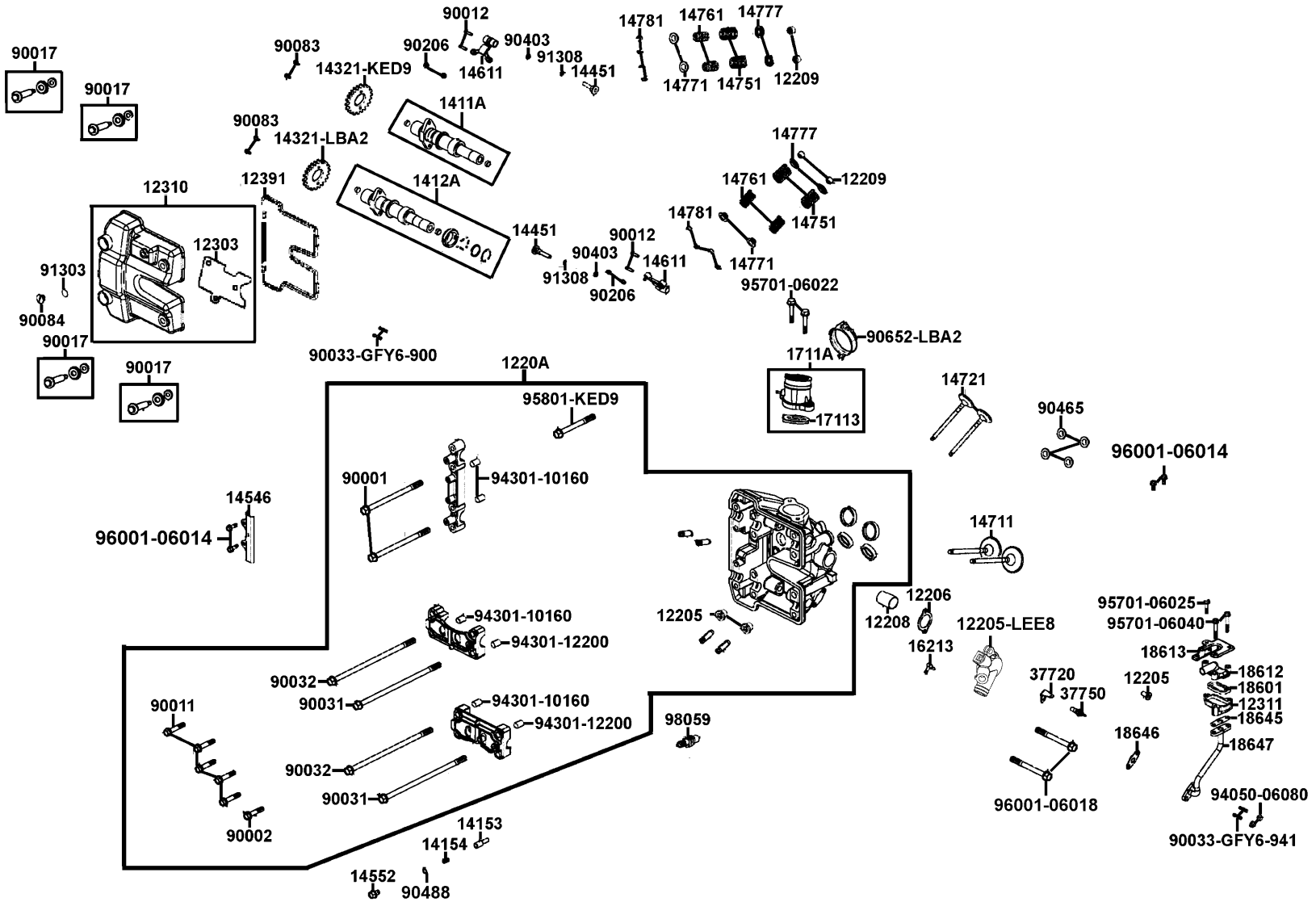
Crank Case



Sales mark	Ref no	Part no	Ver	Description	Reg description	Regd no	E01
	96106	96106-LDB5-E00	1	BEARING BALL RADIAL	BEARING BALL RADIAL	1	
	96107	96107-LDB5-E00	1	BEARING BALL RADIAL	BEARING BALL RADIAL	1	
	96211	96211-16000	2	SAE 1015	SAE 1015	1	
	96600-08010	96600-08010-10	1	SOCKET BOLT 8*10	SOCKET BOLT 8*10	1	
	96600-LDB5	96600-LDB5-E00	1	SOCKET BOLT 8*20	SOCKET BOLT 8*20	4	

E02

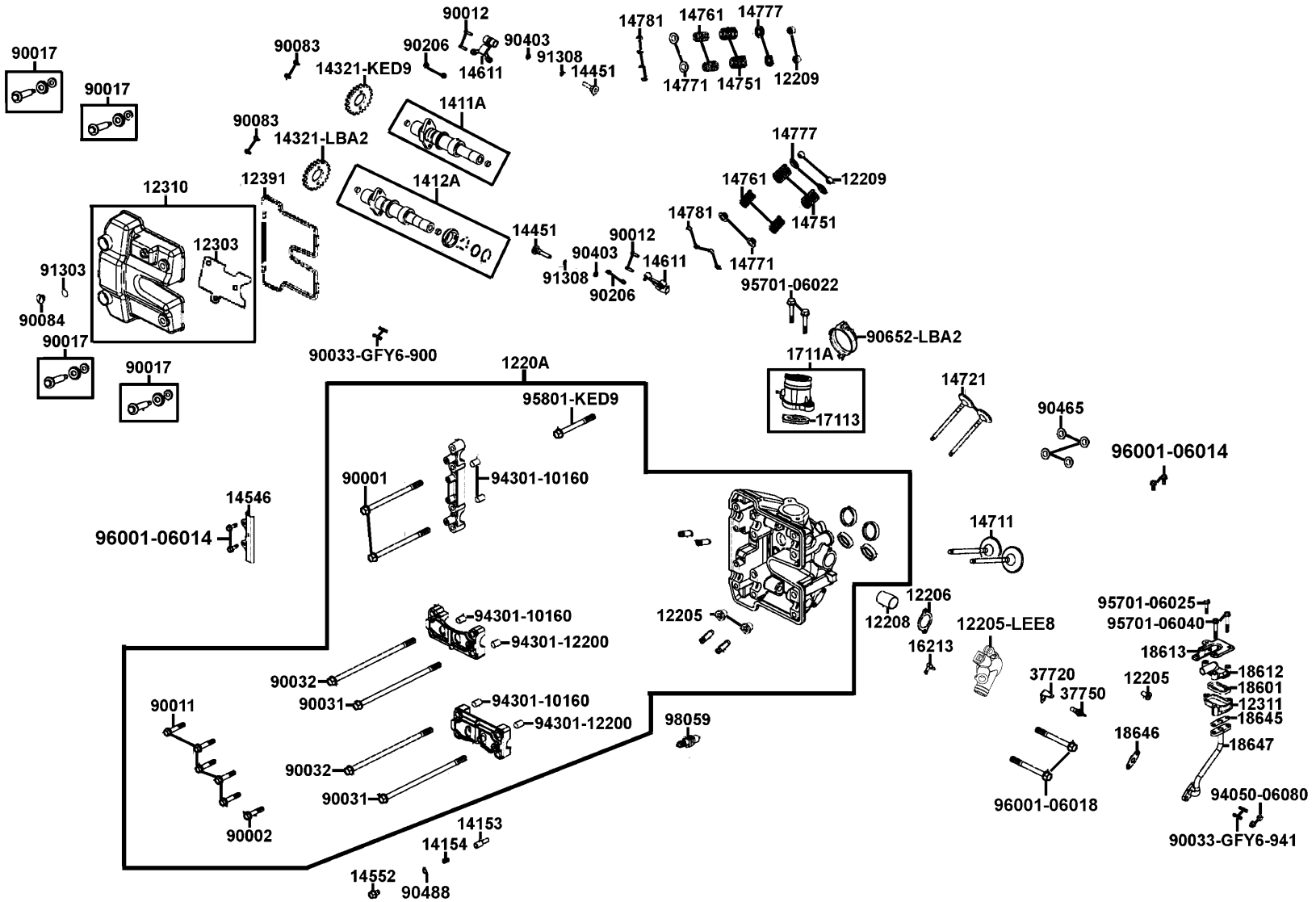
Cylinder Head Cover Cylinder Head



Sales mark	Ref no	Part no	Ver	Description	Reg description	Regd no	E02
	12205	12205-KHE8-301	1	BOLT SEALING 12MM	BOLT SEALING 12MM	3	
	12205-LEE8	12205-LEE8-E00	3	WATER COVER HEAD	WATER COVER HEAD	1	
	12206	12206-LBA2-E00	2	GASKET WATER COVER	GASKET WATER COVER	1	
	12208	12208-LBA2-E00	3	STOPPER HEAD WATER	STOPPER HEAD WATER	1	
	12209	12209-GDB4-68A	0	SEAL VALVE STEM	SEAL VALVE STEM	4	
	1220A	1220A-LDG7-900	3	HEAD ASSY CYLNDER	HEAD ASSY CYLNDER	1	
	12303	12303-LBA2-E00	3	GASKET PLATE	GASKET PLATE	1	
**	12310	12310-LDB5-E00	1	COVER COMP HEAD	COVER COMP HEAD	1	
	12311	12311-KBE2-900	4	BODY REED VALVE	BODY REED VALVE	1	
	12391	12391-LBA2-E00	1	SEAL HEAD COVER	SEAL HEAD COVER	1	
	1411A	1411A-LBA2-E00	10	CAMSHAFT INLET COMP	CAMSHAFT INLET COMP	1	
	1412A	1412A-LDG7-E00	3	CAMSHAFT EXH COMP	CAMSHAFT EXH COMP	1	
	14153	14153-LBA2-E00	3	STOPPER	STOPPER	1	
	14154	14154-LBA2-E00	1	SPRING STOPPER	SPRING STOPPER	1	
	14321-KED9	14321-KED9-900	5	SPROCKET CAMSHAFT	SPROCKET CAMSHAFT	1	
	14321-LBA2	14321-LBA2-E00	2	SPROCKET CAMSHAFT	SPROCKET CAMSHAFT	1	
	14451	14451-LBA2-E00	2	SHAFT ROCKER ARM	SHAFT ROCKER ARM	2	
	14546	14546-LBA2-E00	4	GUIDE UPPER TENSIONER	GUIDE UPPER TENSIONER	1	
	14552	14552-KGBG-900	0	STOPPER BOLT	STOPPER BOLT	1	
	14611	14611-LBA2-E00	3	ARM VALVE ROCKER	ARM VALVE ROCKER	2	

E02

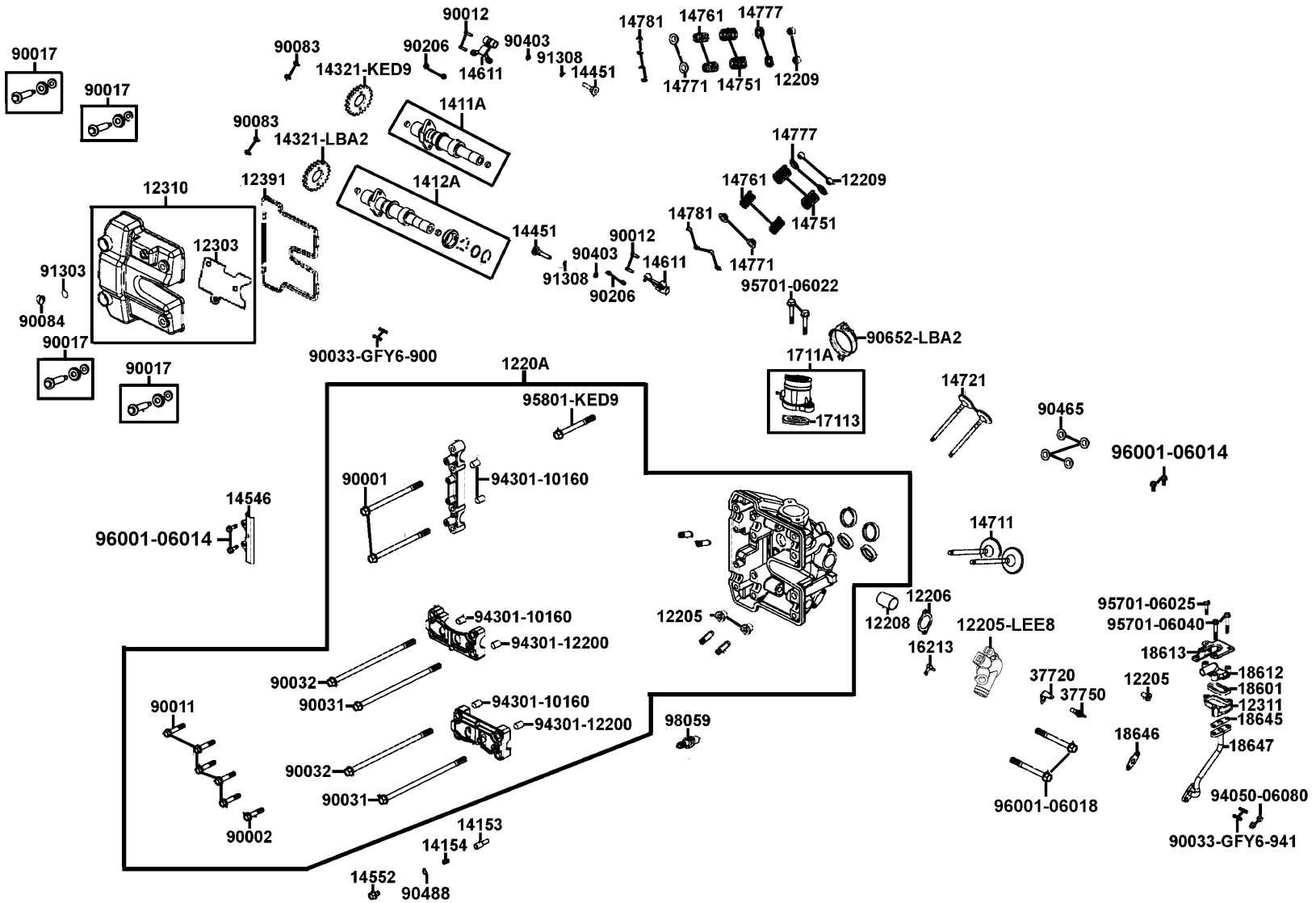
Cylinder Head Cover Cylinder Head



Sales mark	Ref no	Part no	Ver	Description	Reg description	Regd no	E02
	14711	14711-LDG7-900	1	VALVE INLET	VALVE INLET	2	
	14721	14721-LBA2-E00	1	VALVE EXHAUST	VALVE EXHAUST	2	
	14751	14751-LBA2-E00	1	SPG VALVE OUTER	SPG VALVE OUTER	4	
	14761	14761-LDG7-900	1	SPG VALVE INNER	SPG VALVE INNER	4	
	14771	14771-KED9-900	2	RETAINER VALVE SPRING	RETAINER VALVE SPRING	4	
	14777	14777-LBA2-E00	2	SEAT VALVE SPG	SEAT VALVE SPG	4	
	14781	14781-MFA6-001	0	COTTER VALVE	COTTER VALVE	8	
	16213	16213-LBA2-E00	2	JOINT BREATHER	JOINT BREATHER	1	
	17113	17113-LBA2-E00	1	O-RING INLET PIPE	O-RING INLET PIPE	1	
	1711A	1711A-LFE9-E00	1	PIPE ASSY INLET	PIPE ASSY INLET	1	
	18601	18601-KBE2-900	4	REED VALVE COMP LDV 52*27*6.0	REED VALVE COMP LDV	1	
	18612	18612-KFB5-900	1	COVER REED VALVE	COVER REED VALVE	1	
	18613	18613-LDB5-E00	2	STAY REED VALVE ASSY	STAY REED VALVE ASSY	1	
	18645	18645-LBA2-E00	1	GASKET A/I PIPE	GASKET A/I PIPE	1	
	18646	18646-GFY6-941	0	GAKT A/I PIPE	GAKT A/I PIPE	1	
	18647	18647-LBA2-E00	4	PIPE COMP AIR	PIPE COMP AIR	1	
	37720	37720-KGB5-900	0	EARTH TERMINAL THERMO	EARTH TERMINAL THERMO	1	
	37750	37750-PAC1-005	0	THERMO UNIT ASSY	THERMO UNIT ASSY	1	
	90001	90001-LBA2-E00	2	BOLT UBS 8*137	BOLT UBS 8*137	2	
	90002	90002-LBA2-E00	2	BOLT UBS 8*201	BOLT UBS 8*201	1	

E02

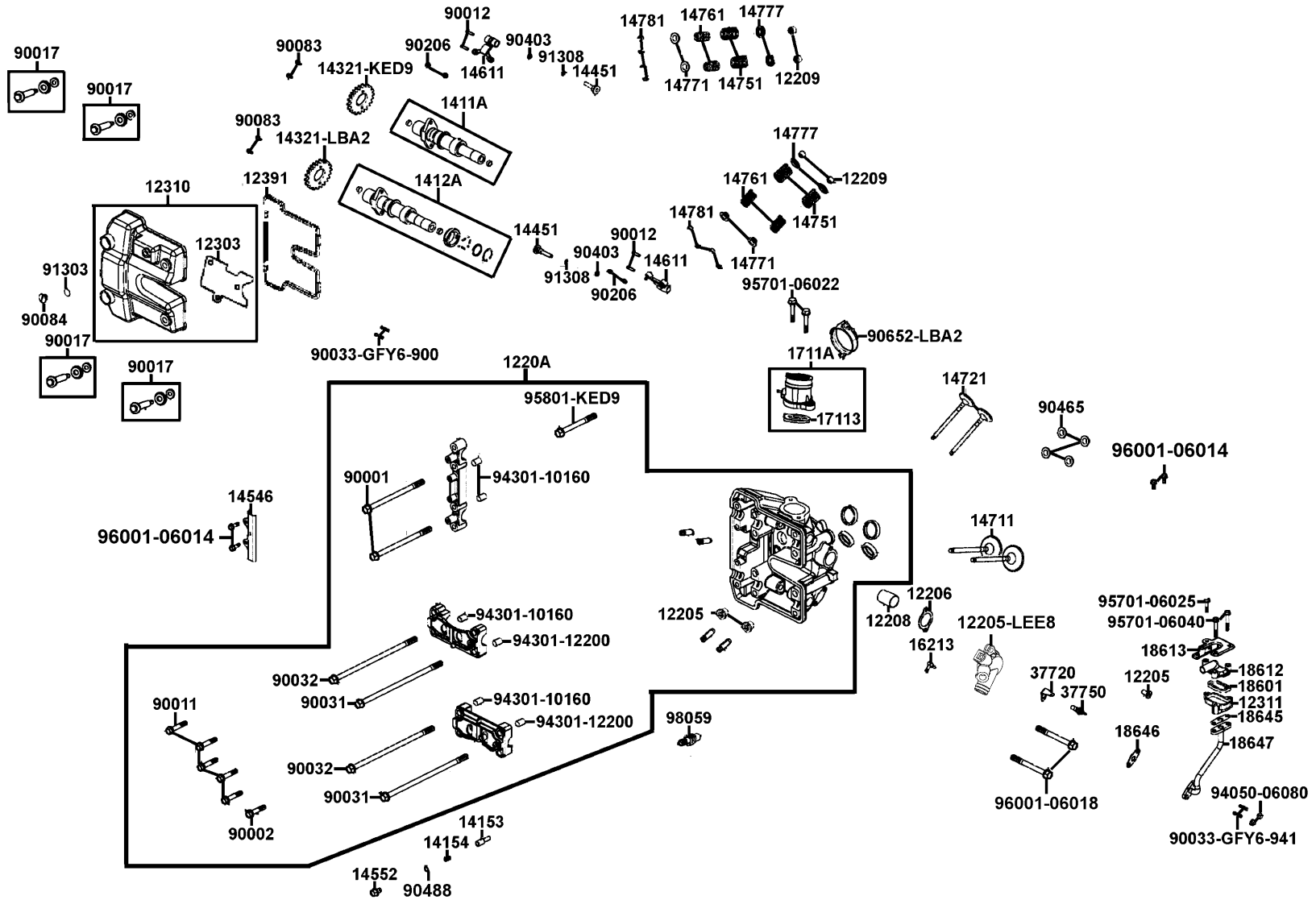
Cylinder Head Cover Cylinder Head



Sales mark	Ref no	Part no	Ver	Description	Reg description	Regd no	E02
	90011	90011-KED9-900	1	BOLT UBS 8*48	BOLT UBS 8*48	5	
	90012	90012-3C33-001	0	SCREW TAPPET ADJUSTING	SCREW TAPPET ADJUSTING	4	
	90017	90017-KED9-900	3	BOLT ASSY HEAD COVER	BOLT ASSY HEAD COVER	4	
	90031	90031-LBA2-E00	3	BOLT UBS 10*220	BOLT UBS 10*220	2	
	90032	90032-LBA2-E00	3	BOLT UBS 10*210	BOLT UBS 10*210	2	
#	90033-GFY6-900	90033-GFY6-900	0	BOLT STUD 8*32	BOLT STUD 8*32	2	
#	90033-GFY6-941	90033-GFY6-941	0	BOLT STUD 6*16	BOLT STUD 6*16	2	
	90083	90083-KED9-900	2	BOLT KNOCK 6MM	BOLT KNOCK 6MM	4	
**	90084	90084-4H28-001	0	CAP ACG	CAP ACG	1	
	90206	90206-0A01-001	1	NUT TAPPET ADJG	NUT TAPPET ADJG	4	
	90403	90403-KED9-900	2	WASHER WAVE 10MM	WASHER WAVE 10MM	2	
	90465	90465-LBA2-E00	1	WASHER 10.2 MM	WASHER 10.2 MM	4	
	90488	90488-7L00-001	0	WASHER 8MM	WASHER 8MM	1	
	90652	90652-LBA2-E00	1	C-HOPE 40-59	C-HOPE 40-59	1	
	91303	91303-3G77-001	0	O-RING 13.8*2.5	O-RING 13.8*2.5	1	
	91308	91308-KED9-900	1	O-RING 17.5*1.5	O-RING 17.5*1.5	2	
#	94050	94050-06080	0	NUT FLANGE 6MM	NUT FLANGE 6MM	2	
	94301-10160	94301-10160	0	DOWEL PIN 10*16	DOWEL PIN 10*16	4	
	94301-12200	94301-12200	1	DOWEL PIN 12*20	DOWEL PIN 12*20	2	
	95701-06022	95701-06022-08	0	BOLT FLANGE 6*22	BOLT FLANGE 6*22	2	

E02

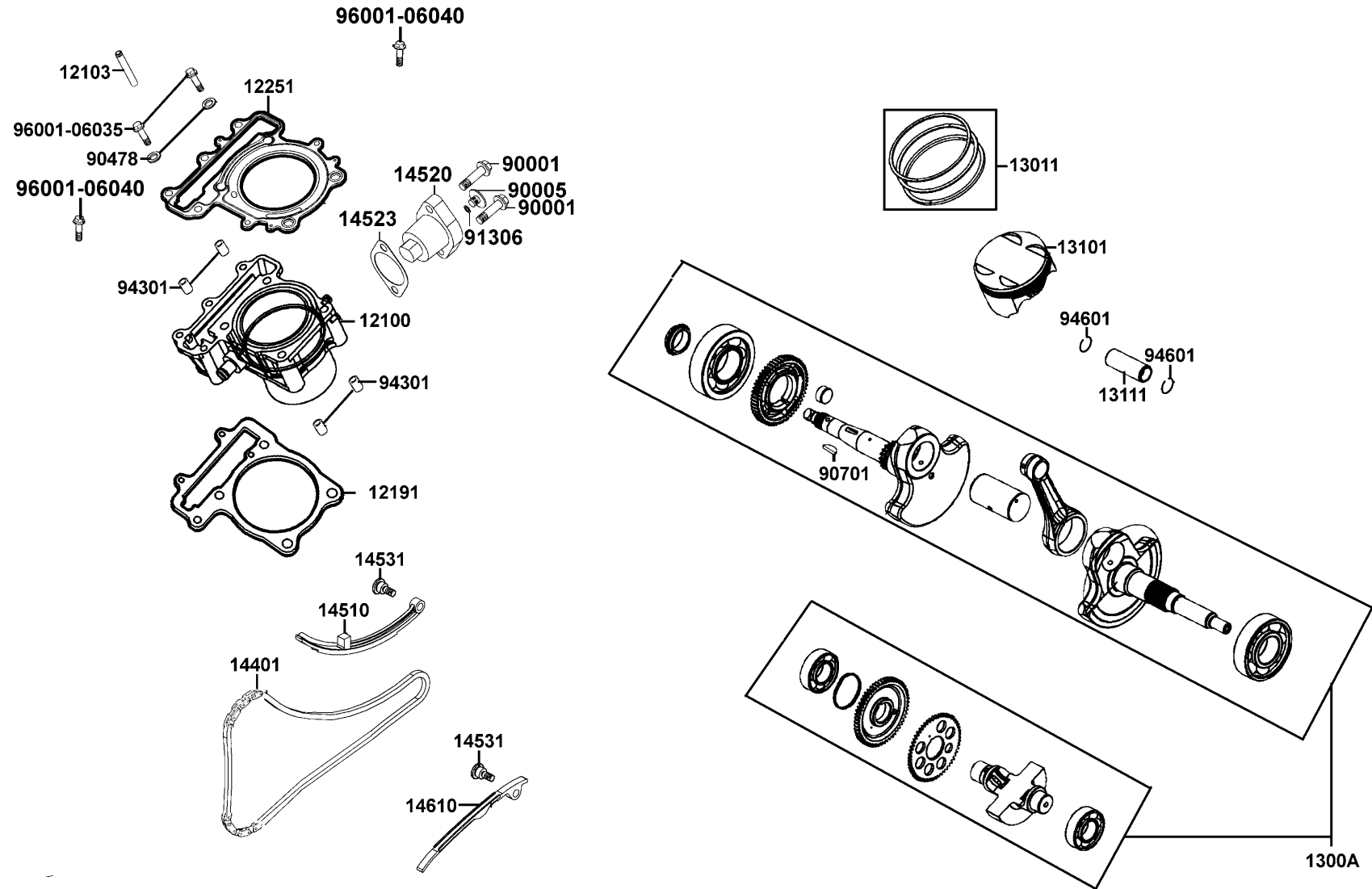
Cylinder Head Cover Cylinder Head



Sales mark	Ref no	Part no	Ver	Description	Reg description	Regd no	E02
	95701-06025	95701-06025-08	0	BOLT FLANGE 6*25	BOLT FLANGE 6*25	1	
	95701-06040	95701-06040-08	0	BOLT FLANGE 6*40	BOLT FLANGE 6*40	2	
	95801	95801-KED9-900	2	BOLT UBS 8*71	BOLT UBS 8*71	1	
	96001-06014	96001-06014-08	0	BOLT FLANGE 6*14	BOLT FLANGE 6*14	4	
#	96001-06018	96001-06018-08	0	BOLT FLANGE SH 6*18	BOLT FLANGE SH 6*18	2	
	98059	98059-57916-00	2	SPARK PLUG CR7E	SPARK PLUG CR7E	1	

E03

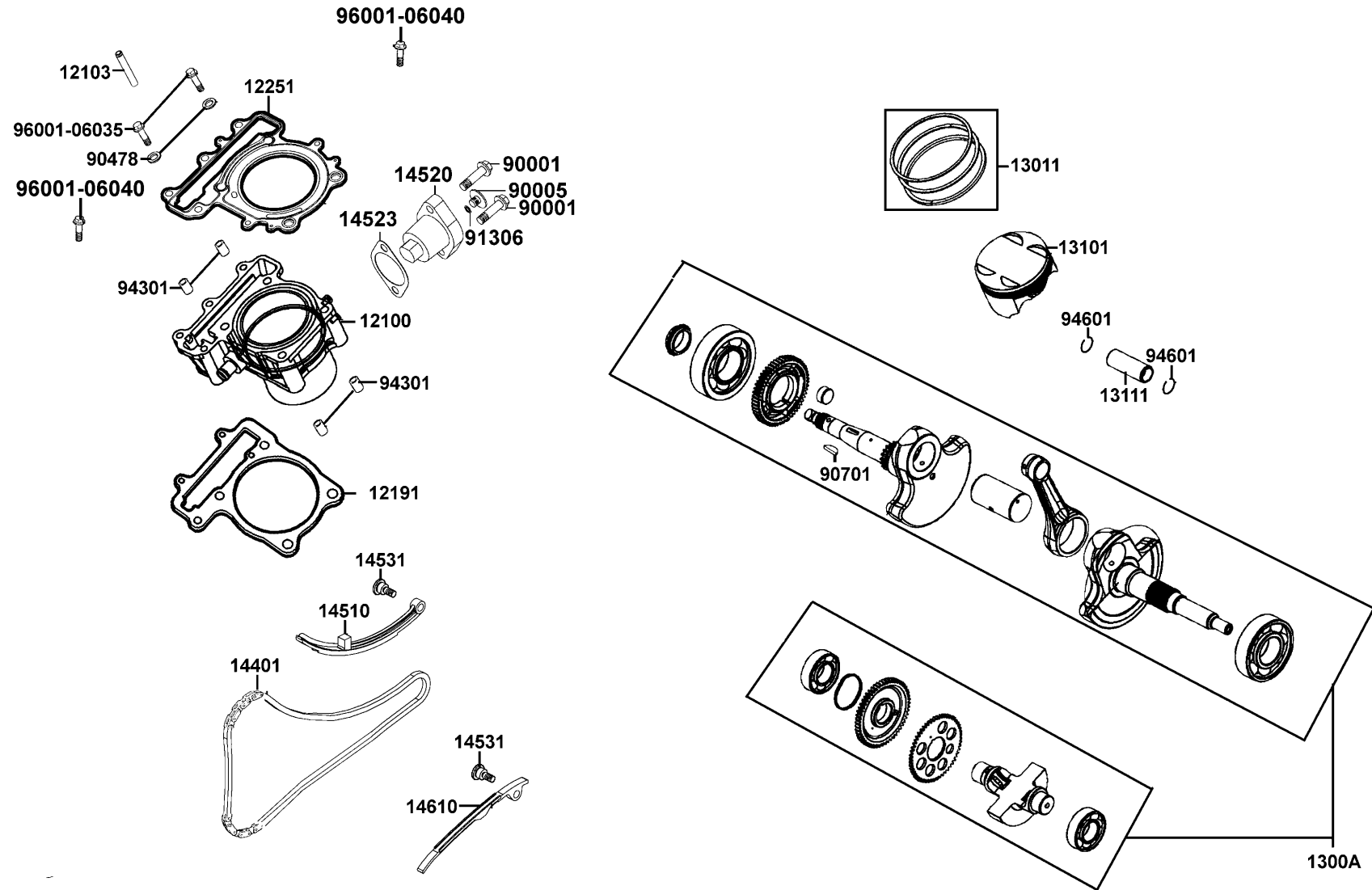
Cylinder Piston Crankshaft



Sales mark	Ref no	Part no	Ver	Description	Reg description	Regd no	E03
	12100	12100-LDB5-E00	4	CYLINDER COMP	CYLINDER COMP	1	
	12103	12103-LBA2-E00	1	STOPPER CYLN WATER	STOPPER CYLN WATER	1	
	12191	12191-LDB5-E00	2	GASKET CYLINDER	GASKET CYLINDER	1	
	12251	12251-LBA2-E00	4	GASKET CYLINDER HEAD	GASKET CYLINDER HEAD	1	
	1300A	1300A-LDB5-309	1	CRANK BLANCER COMP	CRANK BLANCER COMP	1	
	13011	13011-LBA2-E0A	1	RING SET PISTON	RING SET PISTON	1	
#	13101	13101-LDG7-E00	1	PISTON	PISTON	1	
	13111	13111-LBA2-E00	4	PIN PISTON	PIN PISTON	1	
	14401	14401-LBA2-E00	1	CHAIN CAM	CHAIN CAM	1	
	14510	14510-LDB5-E00	5	TENSIONER CAM CHAIN	TENSIONER CAM CHAIN	1	
	14520	14520-LDB5-E00	2	LIFTER ASSY TENSIONER	LIFTER ASSY TENSIONER	1	
	14523	14523-KED9-900	0	GASKET TENSIONER LIFTER @A	GASKET TENSIONER LIFTER @A	1	
	14531	14531-KED9-900	4	PIVOT TENSION GUIDE	PIVOT TENSION GUIDE	2	
	14610	14610-LBA2-E00	5	GUIDE COMP CAM CHAIN	GUIDE COMP CAM CHAIN	1	
	90001	90001-GBHB-661	0	BOLT FLANGE SH 6*22	BOLT FLANGE SH 6*22	2	
	90005	90005-KEC8-900	1	BOLT SPECIAL 6*6	BOLT SPECIAL 6*6	1	
	90478	90478-7L00-001	0	WASHER 6MM	WASHER 6MM	2	
	90701	90701-LDB5-E00	4	KEY WOODRUFF 25*17*5	KEY WOODRUFF 25*17*5	1	
	91306	91306-1E05-691	0	O-RING 1.5*9.5	O-RING 1.5*9.5	1	
	94301	94301-12200	1	DOWEL PIN 12*20	DOWEL PIN 12*20	4	

E03

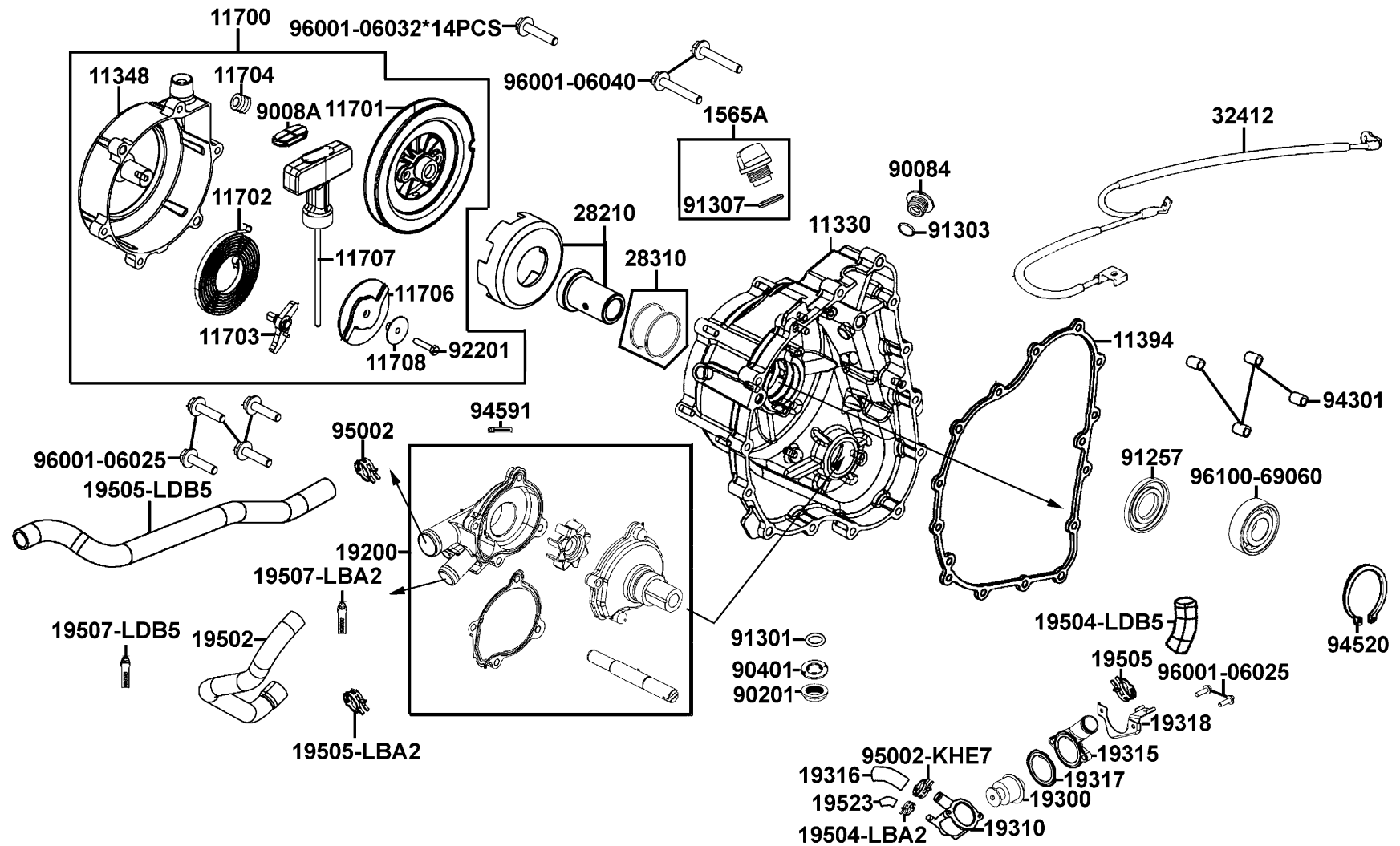
Cylinder Piston Crankshaft



Sales mark	Ref no	Part no	Ver	Description	Reg description	Regd no	E03
	94601	94601-22000	1	CLIP PISTON PIN 22MM	CLIP PISTON PIN 22MM	2	
	96001	96001-06040-08	0	BOLT FLANGE 6*40	BOLT FLANGE 6*40	2	

E04

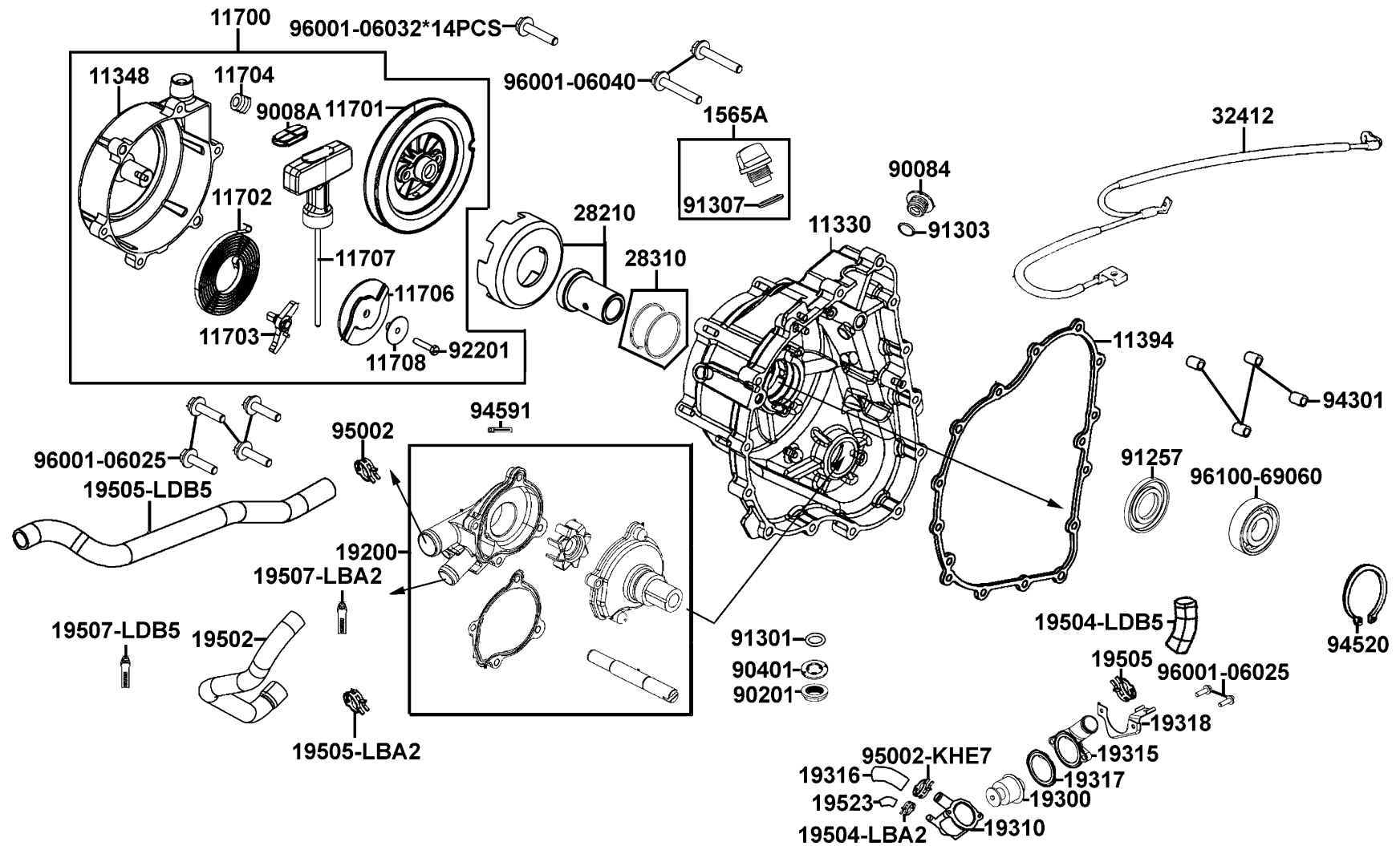
Right Crankcase Cover Water Pump



Sales mark	Ref no	Part no	Ver	Description	Reg description	Regd no	E04
	11330	11330-LEE8-E00	1	COVER ASSY R CRANK CASE	COVER ASSY R CRANK CASE	1	
**	11348	11348-LDB5-E00	2	COVER STARTING	COVER STARTING	1	
	11394	11394-LDB5-E00	2	GASKET COVER	GASKET COVER	1	
	11700	11700-LDB5-E00	2	RECOIL STARTING	RECOIL STARTING	1	
	11701	11701-LDB5-E00	1	REEL STARTING	REEL STARTING	1	
	11702	11702-LDB5-E00	2	SPIRAL SPG STARTING	SPIRAL SPG STARTING	1	
	11703	11703-LDB5-E00	2	RACHET STARTING	RACHET STARTING	1	
	11704	11704-LCA5-E00	1	SPG RACHET GUIDE	SPG RACHET GUIDE	1	
	11706	11706-LDB5-E00	1	RACHET GUIDE STARTING	RACHET GUIDE STARTING	1	
	11707	11707-LDB5-E00	1	ROPE STARTING	ROPE STARTING	1	
	11708	11708-LCA5-E00	1	COLLAR	COLLAR	1	
**	1565A	1565A-PWA1-900	1	GAUGE OIL LEVEL ASSY	GAUGE OIL LEVEL ASSY	1	
	19200	19200-LEE8-E00	2	WATER PUMP ASSY	WATER PUMP ASSY	1	
	19300	19300-LBA2-E00	1	THERMOSTAT ASSY	THERMOSTAT ASSY	1	
	19310	19310-LDB5-E00	1	CASE COMP THERMOSTAT	CASE COMP THERMOSTAT	1	
	19315	19315-LBA2-E00	2	COVER THERMOSTAT	COVER THERMOSTAT	1	
	19316	19316-LFE9-E00	0	HOSE THERMOSTAT	HOSE THERMOSTAT	1	
	19317	19317-LBA2-E00	1	RING 48.3*2	RING 48.3*2	1	
	19318	19318-LDB5-E00	2	BRKT THERMOSTAT	BRKT THERMOSTAT	1	
	19502	19502-LEE8-E00	1	HOSE B WATER	HOSE B WATER	1	

E04

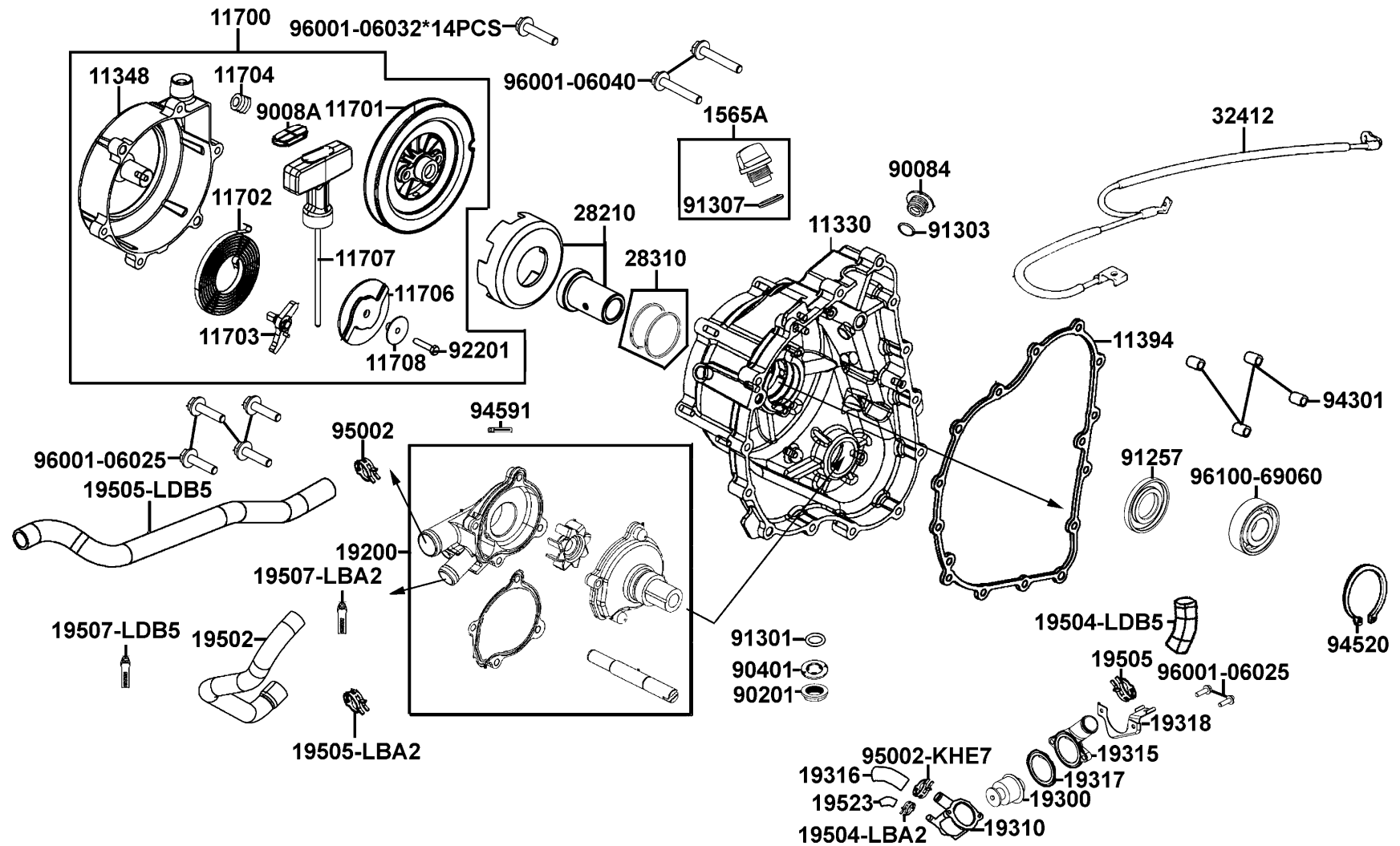
Right Crankcase Cover Water Pump



Sales mark	Ref no	Part no	Ver	Description	Reg description	Regd no	E04
	19504-LBA2	19504-LBA2-E00	3	CLAMP D 16.8	CLAMP D 16.8	1	
	19504-LDB5	19504-LDB5-E00	3	HOSE WATER D RADIATOR-ENG	HOSE WATER D RADIATOR-ENG	1	
	19505-LBA2	19505-LBA2-E00	4	CLAMP WATER HOSE	CLAMP WATER HOSE	2	
	19505-LDB5	19505-LDB5-E00	4	HOSE WATER F ENG-RADIATOR	HOSE WATER F ENG-RADIATOR	1	
	19507-LBA2	19507-LBA2-E00	0	CLAMP D 27.5	CLAMP D 27.5	1	
	19507-LDB5	19507-LDB5-E00	1	CLAMP D 28	CLAMP D 28	1	
	19523	19523-LDB5-E00	2	WATER HOSE A	WATER HOSE A	1	
	28210	28210-LDB5-E00	4	PLATE RACHET	PLATE RACHET	1	
	28310	28310-LDB5-E00	1	RING OIL PATH	RING OIL PATH	2	
	32412	32412-LDB5-E00	5	CABLE EARTH	CABLE EARTH	1	
**	90084	90084-4H28-001	0	CAP ACG	CAP ACG	1	
	9008A	9008A-LDB5-E00	1	COVER HOLDER	COVER HOLDER	1	
	90201	90201-KHR8-75A	0	NUT FLANGE 14MM	NUT FLANGE 14MM	1	
	90401	90401-KKJ9-001	0	WASHER THRUST 14*28*2	WASHER THRUST 14*28*2	1	
	91257	91257-LDB5-E00	2	OIL SEAL 30*60*7	OIL SEAL 30*60*7	1	
	91301	91301-LDB5-E00	1	O-RING 16MM	O-RING 16MM	1	
	91303	91303-3G77-001	0	O-RING 13.8*2.5	O-RING 13.8*2.5	1	
	91307	91307-0E35-001	0	O RING 18*3	O RING 18*3	1	
	92201	92201-05025-0H	0	BOLT HEX 5*25	BOLT HEX 5*25	1	
	94301	94301-08140	0	DOWEL PIN 8*14	DOWEL PIN 8*14	4	

E04

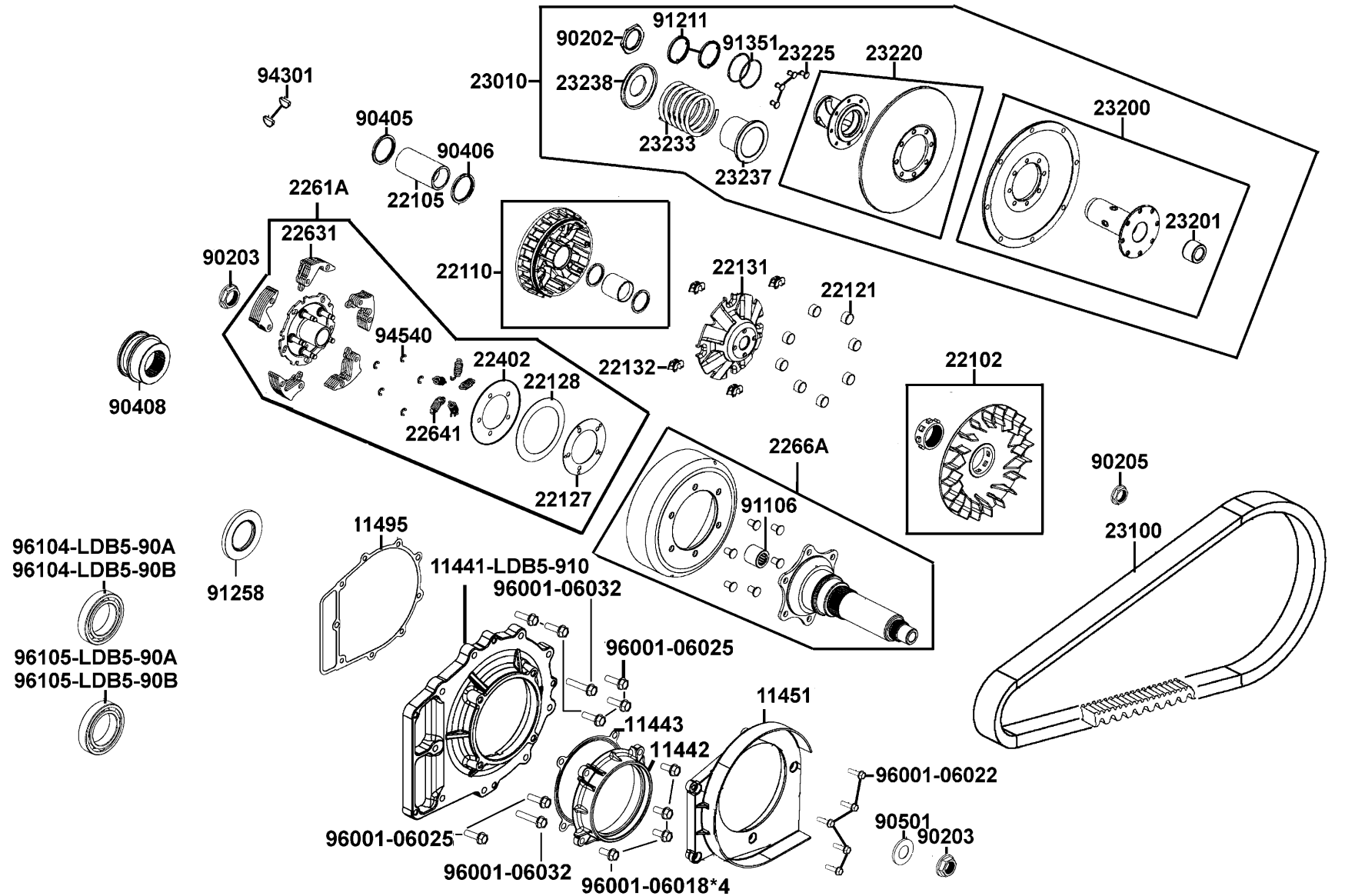
Right Crankcase Cover Water Pump



Sales mark	Ref no	Part no	Ver	Description	Reg description	Regd no	E04
	94520	94520-47000	0	CIR CLIP IN 47	CIR CLIP IN 47	1	
	94591	94591-KFBF-900	2	CLIP 2*70	CLIP 2*70	1	
	95002	95002-KHE7-900	0	CLIP WATER HOSE	CLIP WATER HOSE	2	
#	96001-06025	96001-06025-08	0	BOLT FLANGE SH 6*25	BOLT FLANGE SH 6*25	6	
	96001-06032	96001-06032-08	0	BOLT FLANGE SH 6*32	BOLT FLANGE SH 6*32	14	
	96001-06040	96001-06040-08	0	BOLT FLANGE 6*40	BOLT FLANGE 6*40	2	
	96100	96100-69060-00	1	BEARING BALL RADIAL 6906	BEARING BALL RADIAL 6906	1	

E05

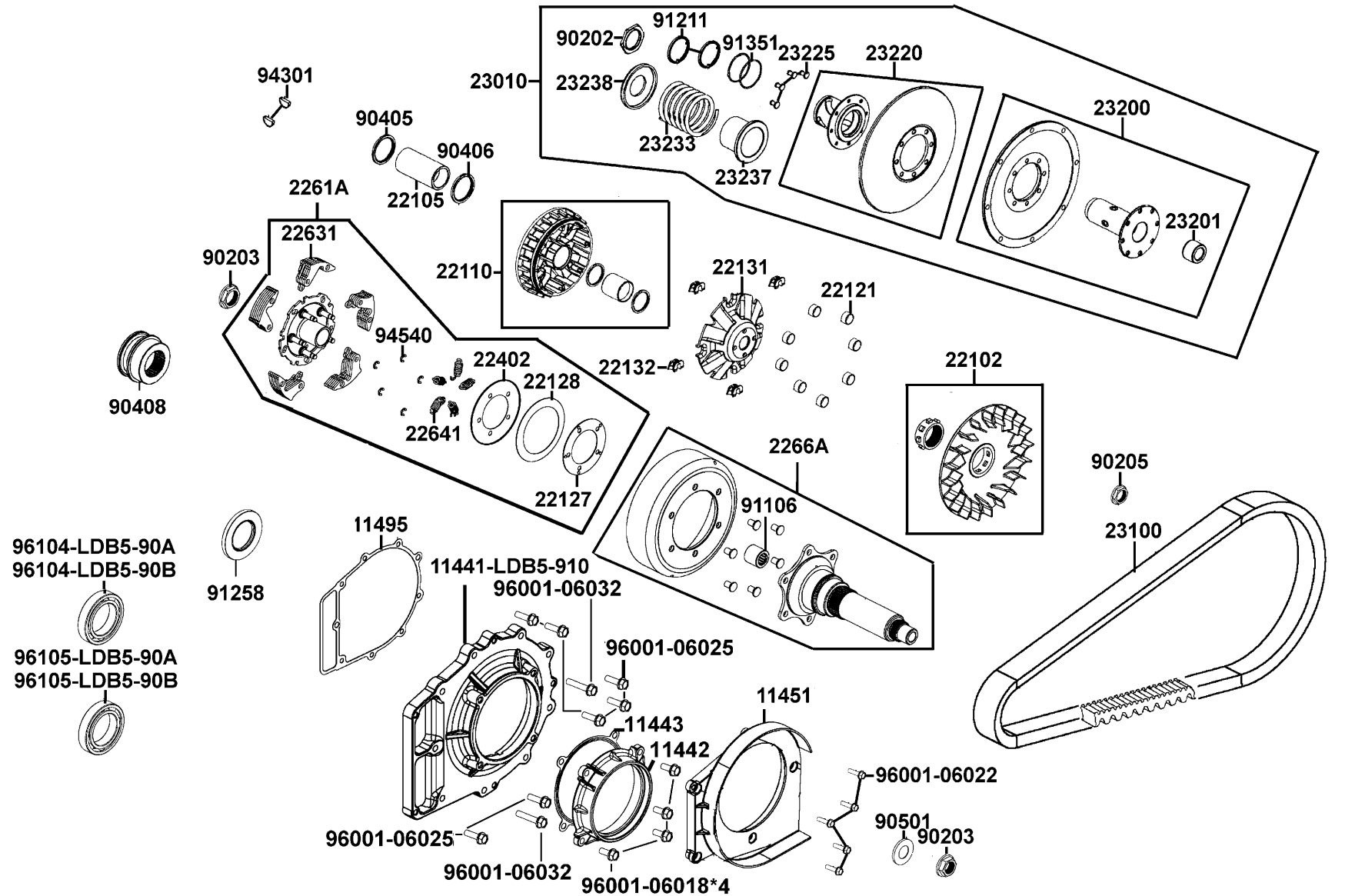
Drive Pulley



Sales mark	Ref no	Part no	Ver	Description	Reg description	Regd no	E05
	11441	11441-LDB5-910	1	COVER CLUTCH	COVER CLUTCH	1	
	11442	11442-LDB5-900	3	COVER PRIMARY SHAFT	COVER PRIMARY SHAFT	1	
	11443	11443-LDB5-900	2	GASKET PRIMARY SHAFT COVER	GASKET PRIMARY SHAFT	1	
	11451	11451-LDB5-E00	4	COVER CVT FAN	COVER CVT FAN	1	
	11495	11495-LDB5-E00	2	GASKET CLUTCH COVER	GASKET CLUTCH COVER	1	
	22102	22102-LDB5-E00	3	FACE DRIVE	FACE DRIVE	1	
	22105	22105-LDB5-E00	3	BOSS DRIVE FACE	BOSS DRIVE FACE	1	
	22110	22110-LDB5-E00	5	FACE COMP MOVABLE DRIVE	FACE COMP MOVABLE DRIVE	1	
	22121	22121-LFE9-E00	1	ROLLER COMP WEIGHT	ROLLER COMP WEIGHT	8	
	22127	22127-LDB5-E00	0	SEAT ADJUSTER SPG	SEAT ADJUSTER SPG	1	
	22128	22128-LDB5-E00	0	PLATE ADJUSTER SPG	PLATE ADJUSTER SPG	1	
	22131	22131-LDB5-E00	3	PLATE RAMP	PLATE RAMP	1	
	22132	22132-LDB5-E00	2	PLATE SLIDE	PLATE SLIDE	4	
	22402	22402-LDB5-E00	0	SPR ADJUSTER	SPR ADJUSTER	1	
	2261A	2261A-LDB5-900	2	PLATE ASSY PRIMARY DRIVE	PLATE ASSY PRIMARY DRIVE	1	
	22631	22631-LDB5-E00	0	PRIMARY CLUTCH WEIGHT	PRIMARY CLUTCH WEIGHT	5	
	22641	22641-LDB5-E00	2	PRIMARY CLUTH SPG	PRIMARY CLUTH SPG	5	
	2266A	2266A-LDB5-910	1	PRIMARY DRIVE GEAR COMP	PRIMARY DRIVE GEAR COMP	1	
	23010	23010-LFE9-E00	1	PULLEY ASSY DRIVEN	PULLEY ASSY DRIVEN	1	
	23100	23100-LDB5-E00	2	BELT DRIVE	BELT DRIVE	1	

E05

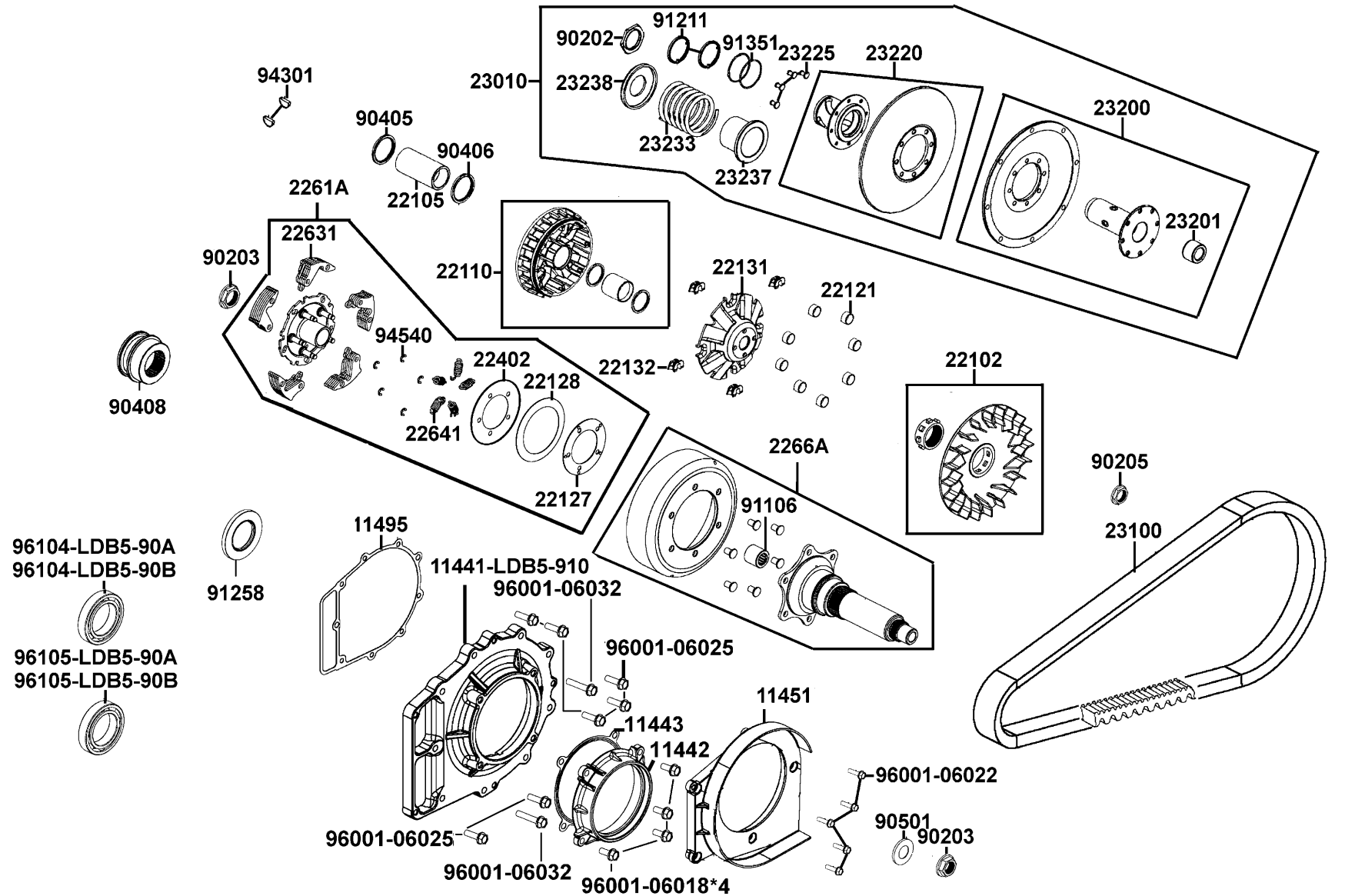
Drive Pulley



Sales mark	Ref no	Part no	Ver	Description	Reg description	Regd no	E05
	23200	23200-LDB5-E00	3	FACE ASSY DRIVEN	FACE ASSY DRIVEN	1	
	23201	23201-LDB5-E00	0	BUSH MOVABLE FACE	BUSH MOVABLE FACE	1	
	23220	23220-LDB5-E00	2	FACE COMP MOVABLE DRIVE	FACE COMP MOVABLE DRIVE	1	
	23225	23225-LDB5-E00	0	PIN ROLLER GUIDE	PIN ROLLER GUIDE	4	
	23233	23233-LFE9-E00	1	SPG DRIVEN FACE	SPG DRIVEN FACE	1	
	23237	23237-LDB5-E00	1	COLLAR SEAL	COLLAR SEAL	1	
	23238	23238-LDB5-E00	1	COLLAR SPG	COLLAR SPG	1	
	90202	90202-LDB5-E00	1	NUT SPECIAL 36MM	NUT SPECIAL 36MM	1	
	90203	90203-LDB5-E00	4	NUT FLANGE 20MM	NUT FLANGE 20MM	2	
	90205	90205-LDB5-E00	2	NUT FLANGE 16MM	NUT FLANGE 16MM	1	
	90405	90405-LDB5-E00	6	WASHER 30.2*45*5	WASHER 30.2*45*5	1	
	90406	90406-LDB5-E00	1	WASHER 25*33*4	WASHER 25*33*4	1	
	90408	90408-LDB5-900	3	COLLAR PRIMARY DRIVE SHAFT	COLLAR PRIMARY DRIVE SHAFT	1	
	90501	90501-LDB5-E00	2	WASHER THRUST 20MM	WASHER THRUST 20MM	1	
	91106	91106-LDB5-E00	1	BRG NEEDLE 14*22*20	BRG NEEDLE 14*22*20	1	
	91211	91211-LDB5-E00	1	SEAL DRIVEN FACE 40.2*47*4	SEAL DRIVEN FACE 40.2*47*4	1	
	91258	91258-LDB5-900	1	OIL SEAL 56.5*80*7	OIL SEAL 56.5*80*7	1	
	91351	91351-LDB5-E00	1	O-RING PINION CAP	O-RING PINION CAP	2	
	94301	94301-08140	0	DOWEL PIN 8*14	DOWEL PIN 8*14	2	
	94540	94540-07017	1	E RING 7MM	E RING 7MM	5	

E05

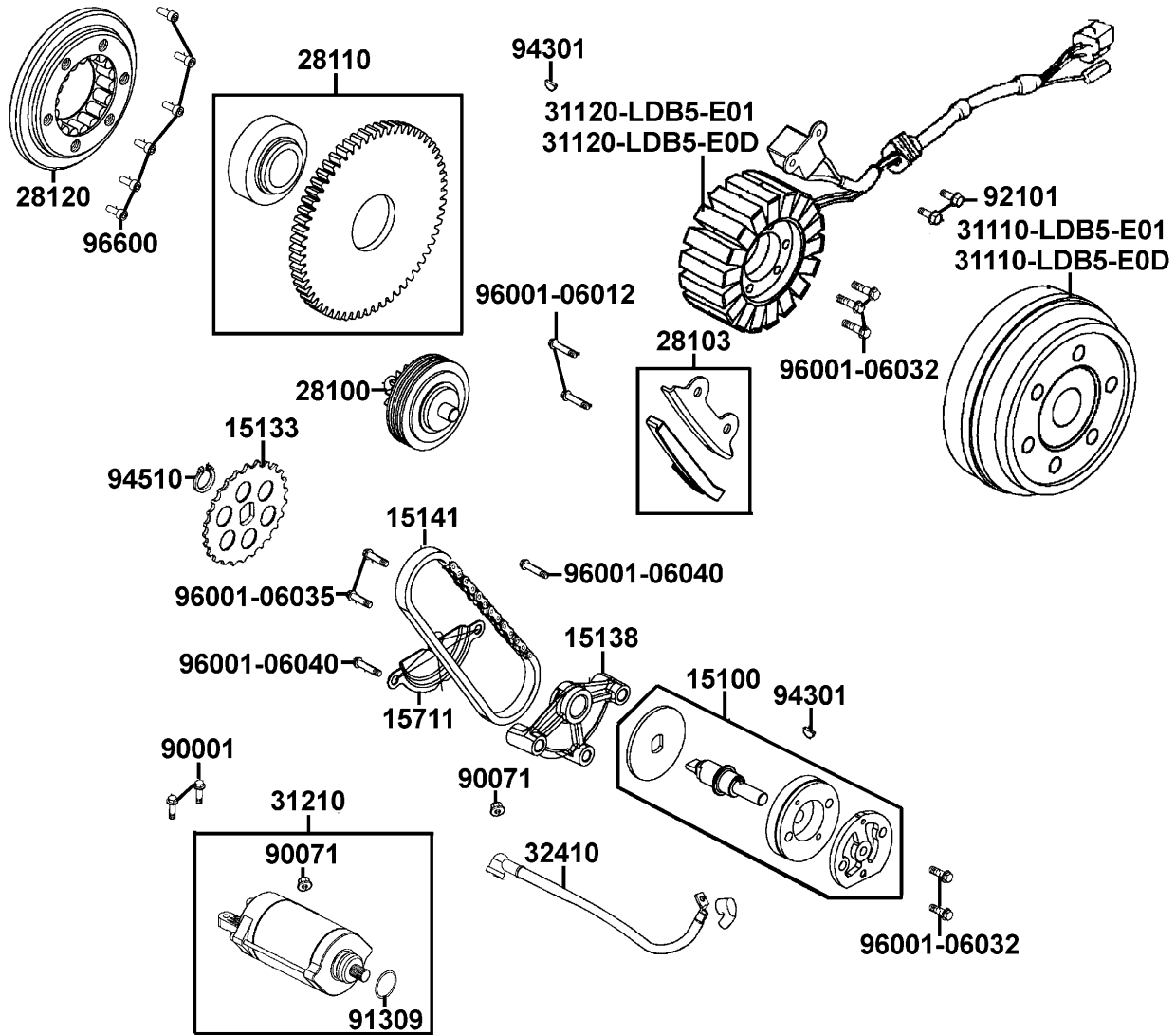
Drive Pulley



Sales mark	Ref no	Part no	Ver	Description	Reg description	Regd no	E05
#	96001-06018	96001-06018-08	0	BOLT FLANGE SH 6*18	BOLT FLANGE SH 6*18	4	
#	96001-06022	96001-06022-08	0	BOLT FLANGE SH 6*22	BOLT FLANGE SH 6*22	5	
#	96001-06025	96001-06025-08	0	BOLT FLANGE SH 6*25	BOLT FLANGE SH 6*25	7	
	96001-06032	96001-06032-08	0	BOLT FLANGE SH 6*32	BOLT FLANGE SH 6*32	2	
	96104-LDB5-90A	96104-LDB5-90A	1	BEARING BALL RADIAL 16008	BEARING BALL RADIAL 16008	1	
	96104-LDB5-90B	96104-LDB5-90B	1	BEARING BALL RADIAL 16008	BEARING BALL RADIAL 16008	1	
	96105-LDB5-90A	96105-LDB5-90A	1	BEARING BALL RADIAL 68150	BEARING BALL RADIAL 68150	1	
	96105-LDB5-90B	96105-LDB5-90B	1	BEARING BALL RADIAL 68150	BEARING BALL RADIAL 68150	1	

E06

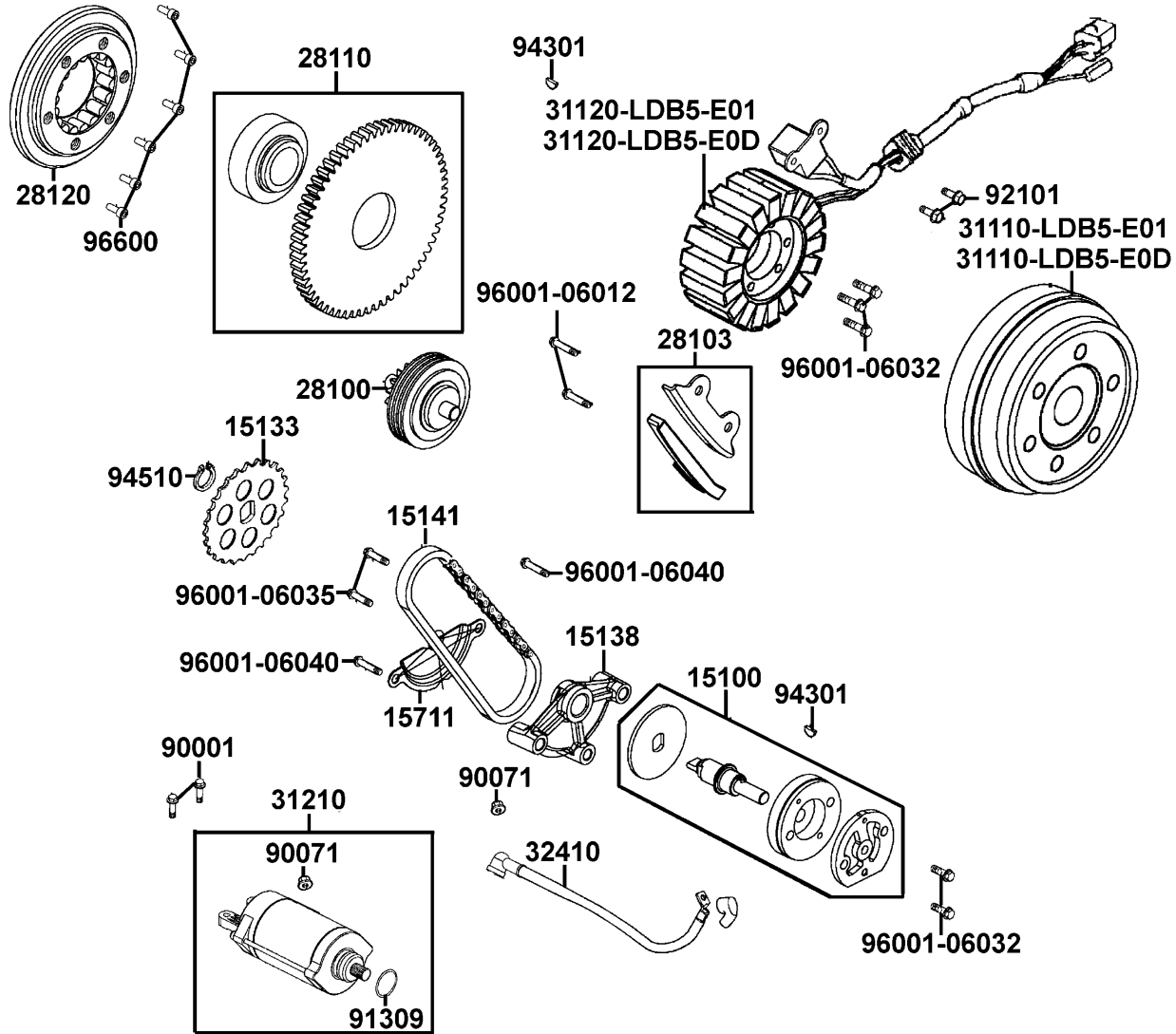
Starting Motor Generator



Sales mark	Ref no	Part no	Ver	Description	Reg description	Regd no	E06
	15100	15100-LDB5-E00	3	PUMP ASSY OIL	PUMP ASSY OIL	1	
	15133	15133-LBA2-E00	1	SPROCKET OIL PUMP DRIVE	SPROCKET OIL PUMP DRIVE	1	
	15138	15138-LDB5-E00	4	HOLDER OIL PUMP SHAFT	HOLDER OIL PUMP SHAFT	1	
	15141	15141-LDB5-E00	1	CHAIN OIL PUMP	CHAIN OIL PUMP	1	
	15711	15711-LDB5-E00	1	SEPARATER OIL	SEPARATER OIL	1	
	28100	28100-LDB5-E00	2	SHAFT COMP REDUCTION	SHAFT COMP REDUCTION	1	
	28103	28103-LDB5-E00	2	GUIDE OIL PUMP CHAIN	GUIDE OIL PUMP CHAIN	1	
	28110	28110-LDB5-E00	1	GEAR COMP STARTING CLUTCH	GEAR COMP STARTING CLUTCH	1	
	28120	28120-KKE5-E00	1	ONE WAY CLUTCH	ONE WAY CLUTCH	1	
	31110-LDB5-E01	31110-LDB5-E01	2	FLYWHEEL COMP	FLYWHEEL COMP	1	
	31110-LDB5-E0D	31110-LDB5-E0D	1	FLYWHEEL COMP	FLYWHEEL COMP	1	
	31120-LDB5-E01	31120-LDB5-E01	5	STASOR COMP	STASOR COMP	1	
	31120-LDB5-E0D	31120-LDB5-E0D	5	STASOR COMP	STASOR COMP	1	
	31210	31210-LBA2-E00	4	MOTOR UNIT STARTER	MOTOR UNIT STARTER	1	
	32410	32410-LDB5-E00	1	CABLE STARTER MOTOR	CABLE STARTER MOTOR	1	
	90001	90001-GBHB-661	0	BOLT FLANGE SH 6*22	BOLT FLANGE SH 6*22	2	
	90071	90071-MLB0-001	0	NUT WASH 6MM	NUT WASH 6MM	2	
	91309	91309-4E25-004	0	O-RING 24.4*3.1	O-RING 24.4*3.1	1	
	92101	92101-05012-0H	0	BOLT HEX 5*12	BOLT HEX 5*12	2	
	94301	94301-08140	0	DOWEL PIN 8*14	DOWEL PIN 8*14	2	

E06

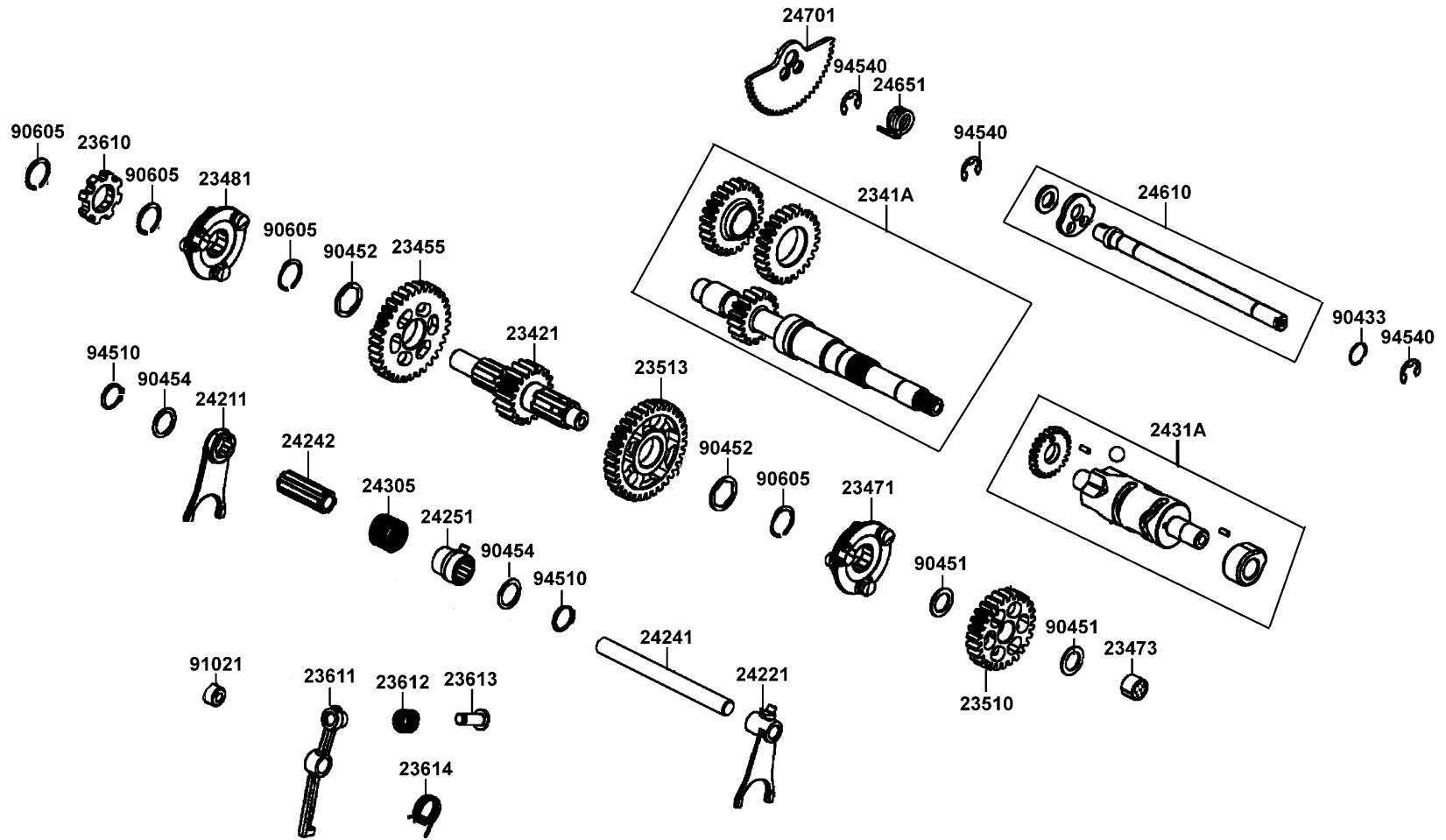
Starting Motor Generator



Sales mark	Ref no	Part no	Ver	Description	Reg description	Regd no	E06
	94510	94510-10000	0	CIR CLIP EX 10MM	CIR CLIP EX 10MM	1	
#	96001-06012	96001-06012-08	0	BOLT FLANGE 6*12	BOLT FLANGE 6*12	2	
	96001-06032	96001-06032-08	0	BOLT FLANGE SH 6*32	BOLT FLANGE SH 6*32	5	
	96001-06035	96001-06035-08	0	BOLT FLANGE 6*35	BOLT FLANGE 6*35	2	
	96001-06040	96001-06040-08	0	BOLT FLANGE 6*40	BOLT FLANGE 6*40	2	
	96600	96600-08015-10	1	SOCKET BOLT 8*15	SOCKET BOLT 8*15	6	

E07

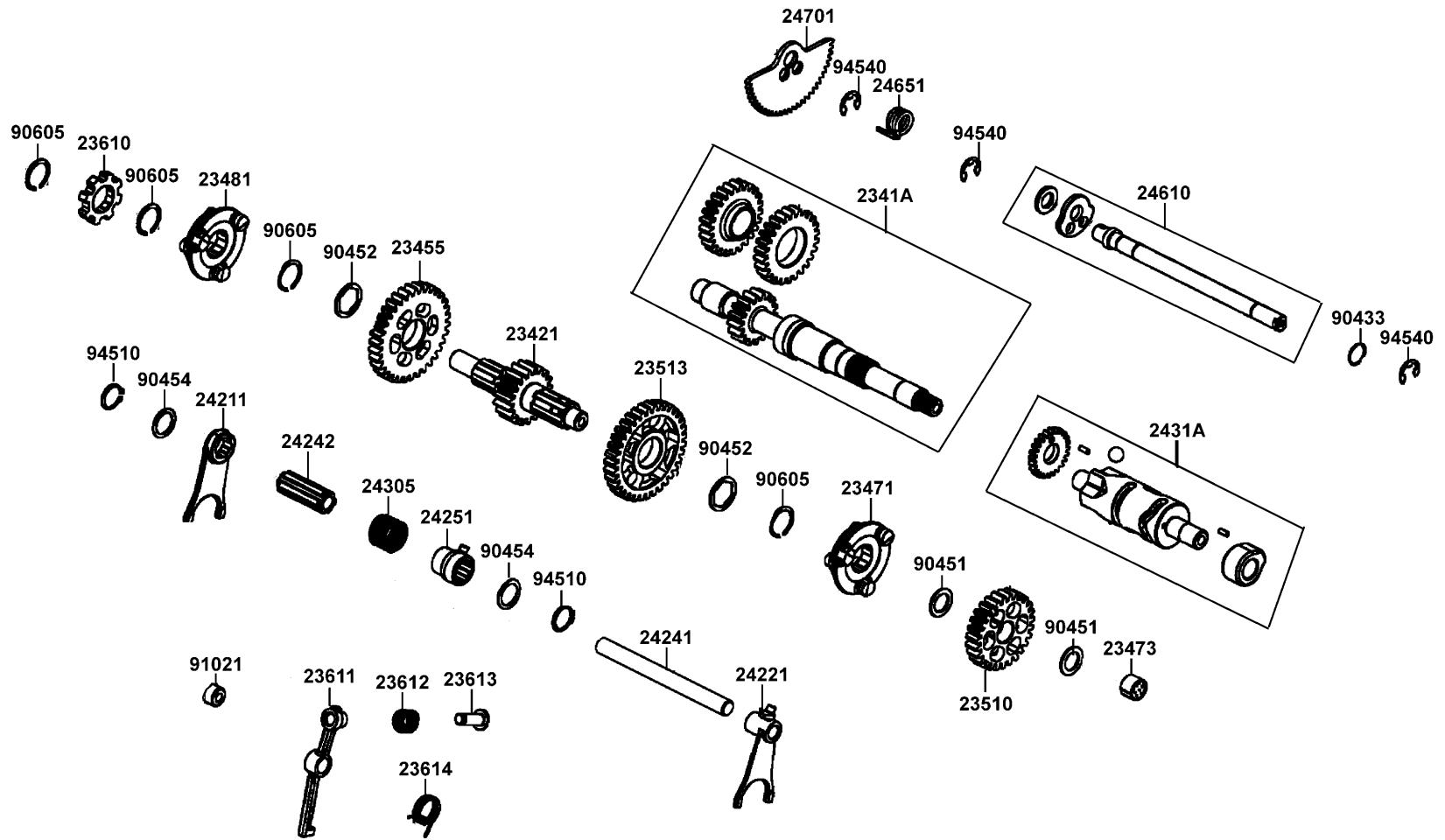
Clutch Assy Primary



Sales mark	Ref no	Part no	Ver	Description	Reg description	Regd no	E07
	2341A	2341A-LDB5-900	2	SHAFT ASSY DRIVE	SHAFT ASSY DRIVE	1	
	23421	23421-LDB5-E00	4	SHAFT COUNTER 19T	SHAFT COUNTER 19T	1	
	23455	23455-LDB5-E00	2	GEAR COMP BACKWARD 2ST	GEAR COMP BACKWARD 2ST	1	
	23471	23471-LDB5-E00	3	SHIFT FORWARD & LOWER	SHIFT FORWARD & LOWER	1	
	23473	23473-LDB5-E00	2	COLLAR 20*17*14	COLLAR 20*17*14	1	
	23481	23481-LDB5-E00	3	SHIFT BACKWARD	SHIFT BACKWARD	1	
	23510	23510-LDB5-900	2	GEAR FORWARD DRIVEN	GEAR FORWARD DRIVEN	1	
	23513	23513-LDB5-E00	2	GEAR COMP LOWER DRIVE	GEAR COMP LOWER DRIVE	1	
	23610	23610-LDB5-E00	1	STOPPER PARK	STOPPER PARK	1	
	23611	23611-LDB5-E00	8	ARM PARK	ARM PARK	1	
	23612	23612-LDB5-E00	3	SPRING A PARK	SPRING A PARK	1	
	23613	23613-LDB5-E00	7	GUIDE PARK	GUIDE PARK	1	
	23614	23614-LDB5-E00	6	SPRING B PARK	SPRING B PARK	1	
	24211	24211-LDB5-E00	4	FORK RIGHT GEAR SHIFT	FORK RIGHT GEAR SHIFT	1	
	24221	24221-LDB5-E00	2	FORK LEFT GEAR SHIFT	FORK LEFT GEAR SHIFT	1	
	24241	24241-LDB5-E00	1	SHAFT GEAR SHIFT FORK	SHAFT GEAR SHIFT FORK	1	
	24242	24242-LDB5-E00	4	COLLAR RIGHT FORK	COLLAR RIGHT FORK	1	
	24251	24251-LDB5-E00	4	GUIDE RIGHT FORK	GUIDE RIGHT FORK	1	
	24305	24305-LDB5-E00	2	SPRING RIGHT FORK	SPRING RIGHT FORK	1	
	2431A	2431A-LDB5-E00	4	DRUM ASSY GEAR SHIFT	DRUM ASSY GEAR SHIFT	1	

E07

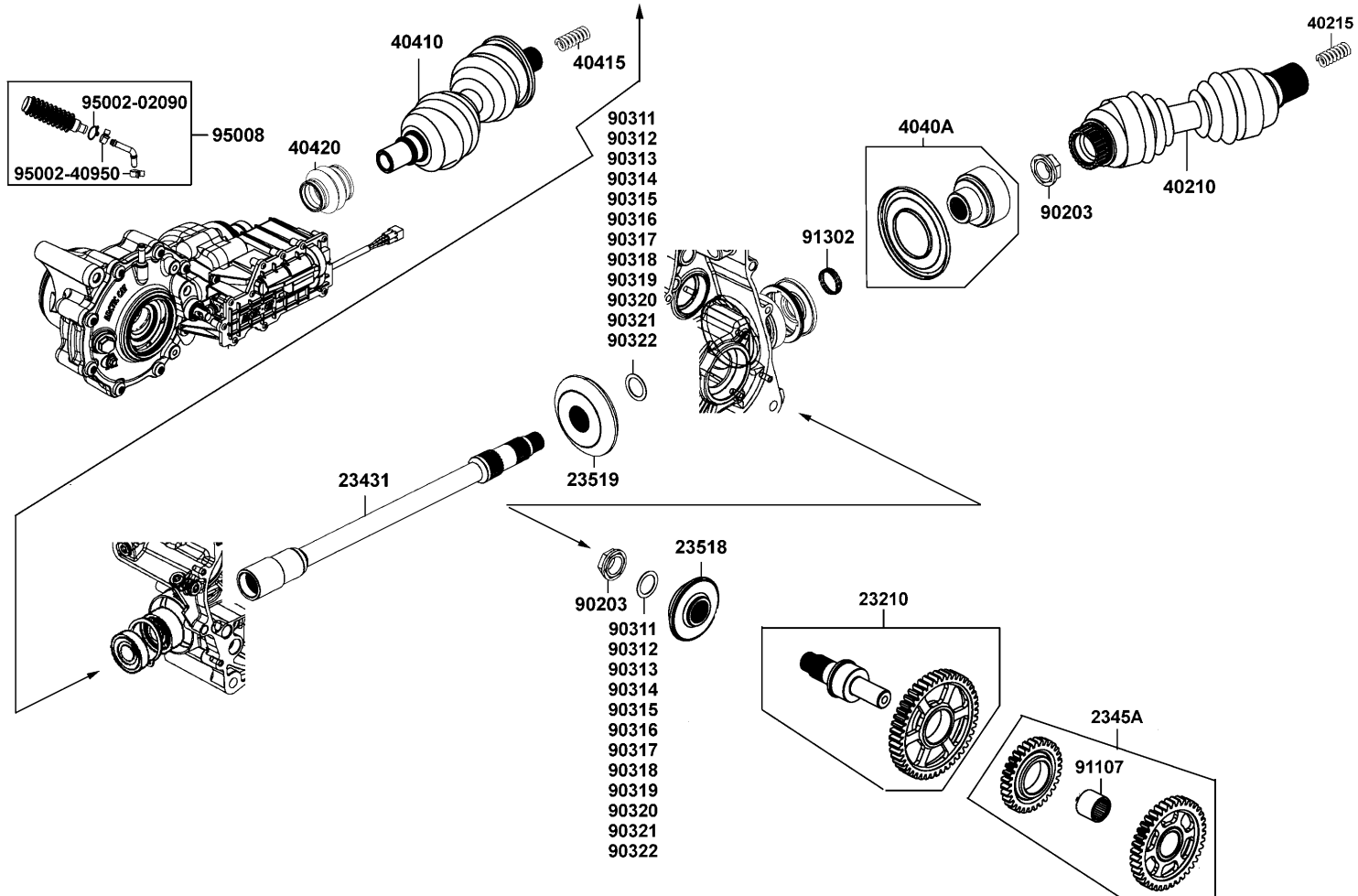
Clutch Assy Primary



Sales mark	Ref no	Part no	Ver	Description	Reg description	Regd no	E07
	24610	24610-LDB5-E00	4	SPINDLE COMP DRUM SHIFT	SPINDLE COMP DRUM SHIFT	1	
	24651	24651-LDB5-E00	4	SPRING GEAR SHIFT RETURN	SPRING GEAR SHIFT RETURN	1	
	24701	24701-LDB5-E00	2	GEAR CHANGE HNDL	GEAR CHANGE HNDL	1	
	90433	90433-KAE1-001	0	WASHER 14MM	WASHER 14MM	1	
	90451	90451-LDB5-E00	1	WASHER THRUST 17MM	WASHER THRUST 17MM	2	
	90452	90452-KED9-900	2	WASHER 25*31*1.5	WASHER 25*31*1.5	2	
	90454	90454-1G07-001	0	WASHER THRUST 20MM B	WASHER THRUST 20MM B	2	
	90605	90605-KED9-900	2	SET RING 28MM	SET RING 28MM	4	
	91021	91021-LDB5-E00	2	BEARING ONE WAY	BEARING ONE WAY	1	
	94510	94510-25000	0	CIR CLIP EXTERNAL 25	CIR CLIP EXTERNAL 25	2	
	94540	94540-12028	0	E RING 12	E RING 12	3	

E08

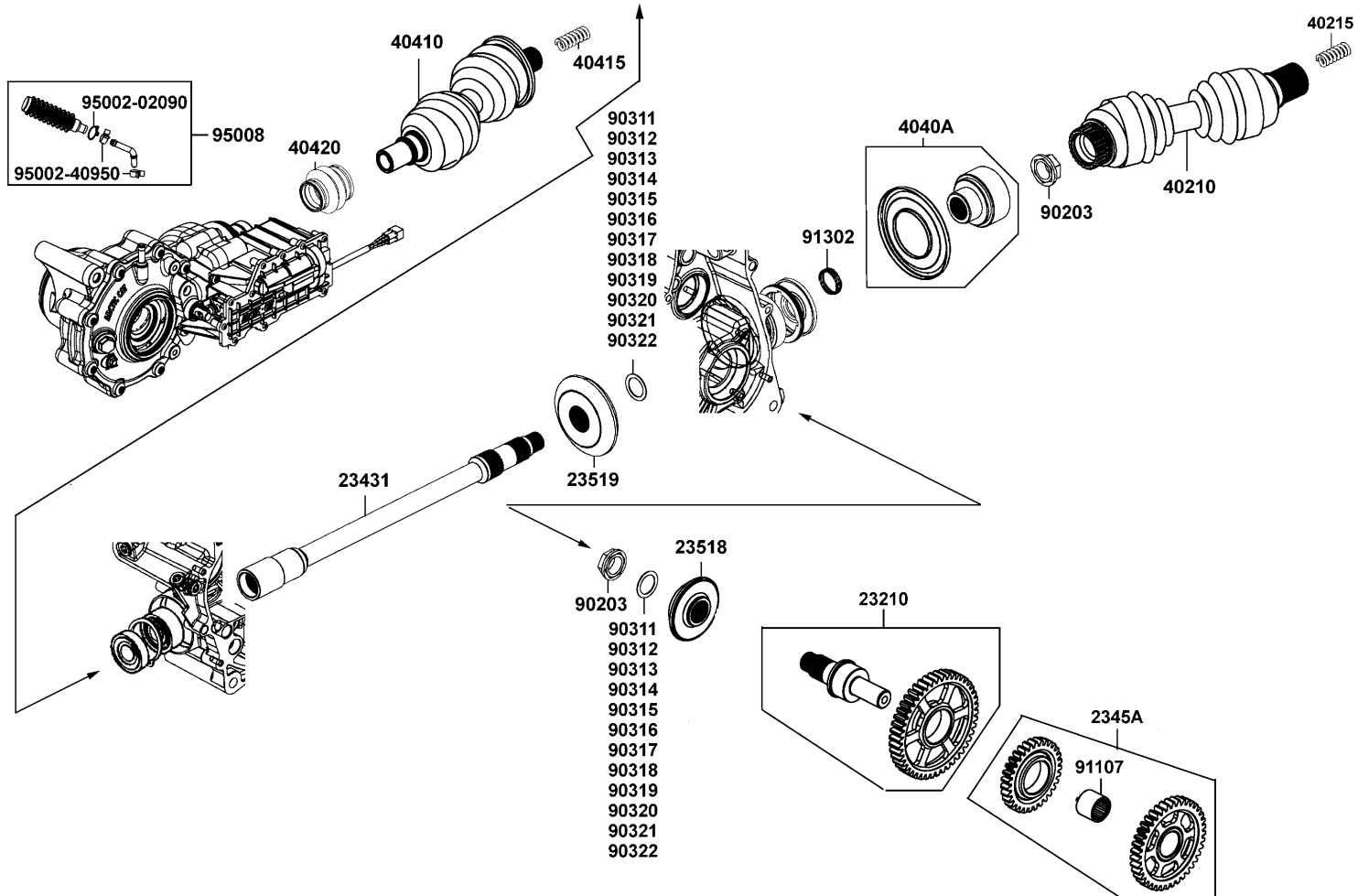
Shaft Reduction



Sales mark	Ref no	Part no	Ver	Description	Reg description	Regd no	E08
	23210	23210-LDB5-E00	4	SHAFT COMP MAIN	SHAFT COMP MAIN	1	
	23431	23431-LDB5-E00	4	SHAFT FINAL	SHAFT FINAL	1	
	2345A	2345A-LDB5-E00	4	GEAR COMP BACKWARD	GEAR COMP BACKWARD	1	
	23518	23518-LDB5-E00	2	BEVEL GEAR DRIVE	BEVEL GEAR DRIVE	1	
	23519	23519-LDB5-E00	2	BEVEL GEAR DRIVE	BEVEL GEAR DRIVE	1	
	40210	40210-LFE9-E00	2	CVJ REAR PROPELLER SHAFT	CVJ REAR PROPELLER SHAFT	1	
	40215	40215-LFE9-E00	0	SPRING REAR PROPELLER SHAFT	SPRING REAR PROPELLER	1	
	4040A	4040A-LDB5-E00	6	COUPLING RR PROPELLER	COUPLING RR PROPELLER	1	
	40410	40410-LFE9-E00	1	CVJ FRONT PROPELLER SHAFT	CVJ FRONT PROPELLER SHAFT	1	
	40415	40415-LDB5-E00	1	SPRING FR PROPELLER SHAFT	SPRING FR PROPELLER SHAFT	2	
	40420	40420-LFE9-E00	0	BOOT REAR PROPELLER SHAFT	BOOT REAR PROPELLER SHAFT	1	
	90203	90203-LDB5-E00	4	NUT FLANGE 20MM	NUT FLANGE 20MM	2	
	90311	90311-LDB5-E00	1	SHIM FLNAL BEVEL GEAR A (0.6)	SHIM FLNAL BEVEL GEAR A (0.6)	2	
	90312	90312-LDB5-E00	1	SHIM FLNAL BEVEL GEAR B (0.65)	SHIM FLNAL BEVEL GEAR B	2	
	90313	90313-LDB5-E00	1	SHIM FLNAL BEVEL GEAR C (0.7)	SHIM FLNAL BEVEL GEAR C (0.7)	2	
	90314	90314-LDB5-E00	1	SHIM FLNAL BEVEL GEAR D (0.75)	SHIM FLNAL BEVEL GEAR D	2	
	90315	90315-LDB5-E00	1	SHIM FLNAL BEVEL GEAR E (0.8)	SHIM FLNAL BEVEL GEAR E (0.8)	2	
	90316	90316-LDB5-E00	1	SHIM FLNAL BEVEL GEAR F (0.85)	SHIM FLNAL BEVEL GEAR F	2	
	90317	90317-LDB5-E00	1	SHIM FLNAL BEVEL GEAR G (0.9)	SHIM FLNAL BEVEL GEAR G (0.9)	2	
	90318	90318-LDB5-E00	1	SHIM FLNAL BEVEL GEAR H (0.95)	SHIM FLNAL BEVEL GEAR H	2	

E08

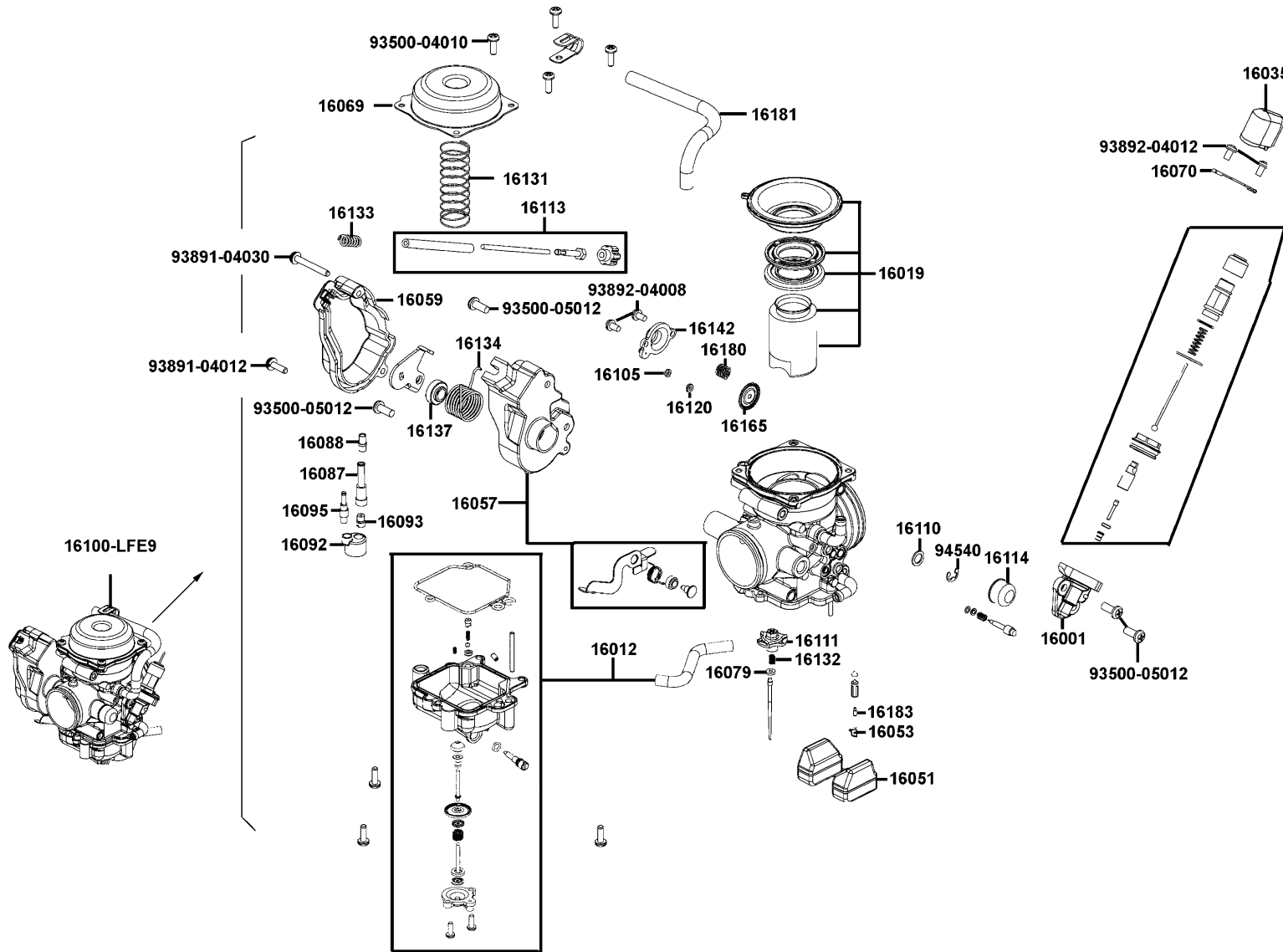
Shaft Reduction



Sales mark	Ref no	Part no	Ver	Description	Reg description	Regd no	E08
	90319	90319-LDB5-E00	1	SHIM FLNAL BEVEL GEAR I (1.0)	SHIM FLNAL BEVEL GEAR I (1.0)	2	
	90320	90320-LDB5-E00	1	SHIM FLNAL BEVEL GEAR J (1.05)	SHIM FLNAL BEVEL GEAR J (1.05)	2	
	90321	90321-LDB5-E00	1	SHIM FLNAL BEVEL GEAR K (1.1)	SHIM FLNAL BEVEL GEAR K (1.1)	2	
	90322	90322-LDB5-E00	1	SHIM FLNAL BEVEL GEAR L (1.15)	SHIM FLNAL BEVEL GEAR L	2	
	91107	91107-LDB5-E00	0	BRG NEEDLE 20*28*23	BRG NEEDLE 20*28*23	1	
	91302	91302-LDB5-E00	2	O-RING 22MM	O-RING 22MM	1	
	95002-02090	95002-02090	0	CLIP B9 TUBE	CLIP B9 TUBE	1	
	95002-40950	95002-40950-08	0	CLAMP D9.5 TUBE	CLAMP D9.5 TUBE	2	
	95008	95008-PWB1-900	4	HOSE VENT-GEARCASE (64mm)	HOSE VENT-GEARCASE (64mm)	1	

E09

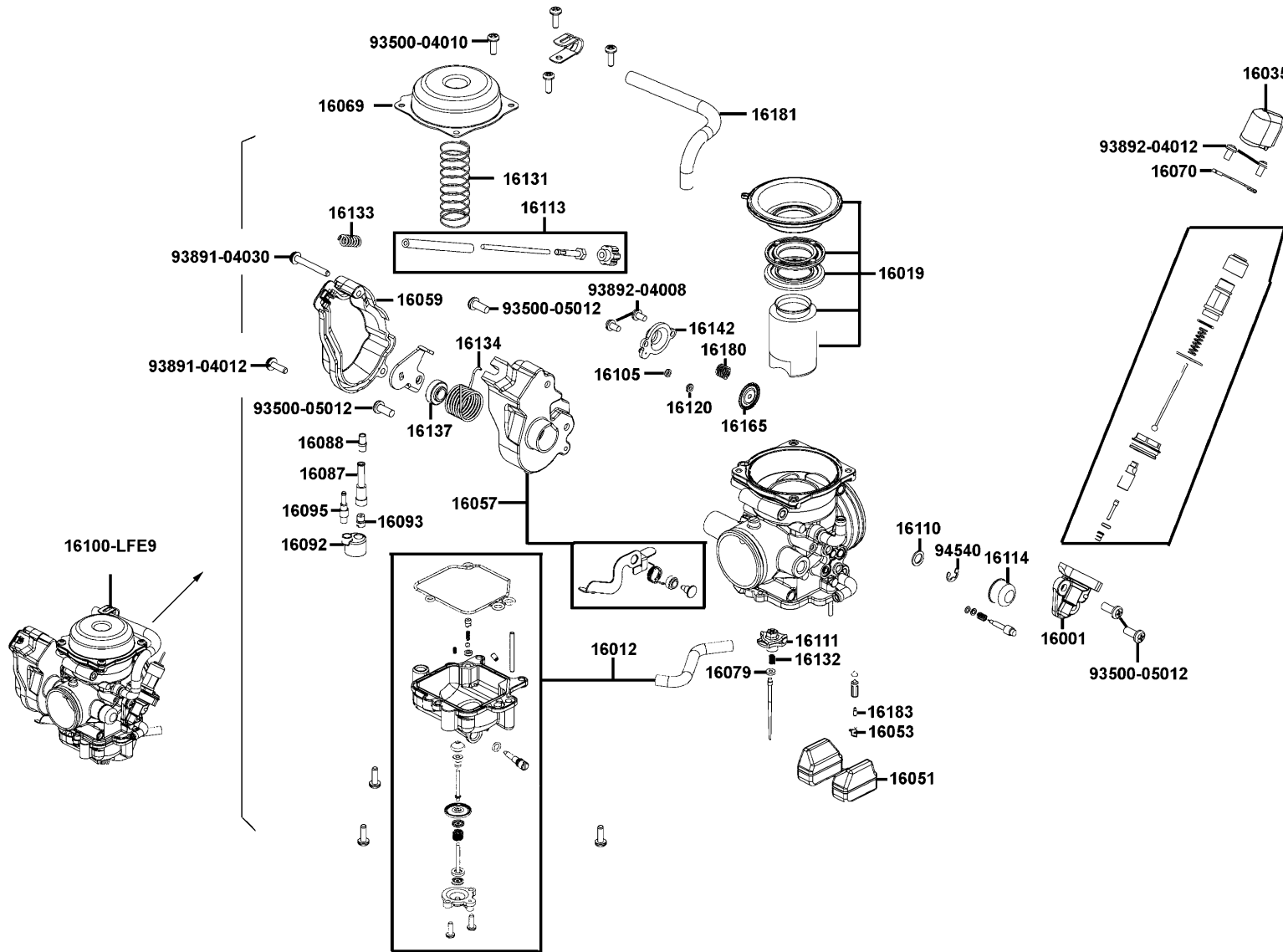
Carburetor



Sales mark	Ref no	Part no	Ver	Description	Reg description	Regd no	E09
	16001	16001-LDB5-E00	1	BODY ASSY BY-ST	BODY ASSY BY-ST	1	
	16012	16012-LDB5-E00	6	CHAMBER COMPL FLOAT	CHAMBER COMPL FLOAT	1	
	16019	16019-LDB5-E00	3	"VALVE ASSY, PISTON"	"VALVE ASSY, PISTON"	1	
	16035	16035-LFE9-900	1	UNIT BY-ST	UNIT BY-ST	1	
	16051	16051-KGC5-90A	4	BODY FLOAT	BODY FLOAT	1	
	16053	16053-KEC3-900	0	PIN FLOAT	PIN FLOAT	1	
	16057	16057-LDB5-E00	6	"BODY, LEVER ASSY"	"BODY, LEVER ASSY"	1	
**	16059	16059-LDB5-E00	3	"COVER, WIRE STAY"	"COVER, WIRE STAY"	1	
	16069	16069-LDB5-E00	3	"COVER, PISTON VALVE	"COVER, PISTON VALVE	1	
	16070	16070-LDB5-E00	2	STOPPER BY-ST	STOPPER BY-ST	1	
	16079	16079-LDB5-E00	1	NEEDLE ASSY JET	NEEDLE ASSY JET	1	
	16087	16087-LFE9-E00	0	TUBE EMUSSION	TUBE EMUSSION	1	
	16088	16088-KEC3-900	1	JET NEEDLE	JET NEEDLE	1	
	16092	16092-LDB5-E00	3	"FILTER, JET MAIN"	"FILTER, JET MAIN"	1	
	16093	16093-KEC3-900	1	JET MAIN	JET MAIN	1	
	16095	16095-KEC3-900	2	JET SLOW	JET SLOW	1	
	16100	16100-LFE9-E00	2	CARBURETOR ASSY	CARBURETOR ASSY	1	
	16105	16105-LDB5-E00	2	COLLAR	COLLAR	1	
	16110	16110-KGC5-900	1	WASHER THROTTLE ASSY	WASHER THROTTLE ASSY	1	
	16111	16111-KHE7-900	1	STOPPER JET NEEDLE SPG	STOPPER JET NEEDLE SPG	1	

E09

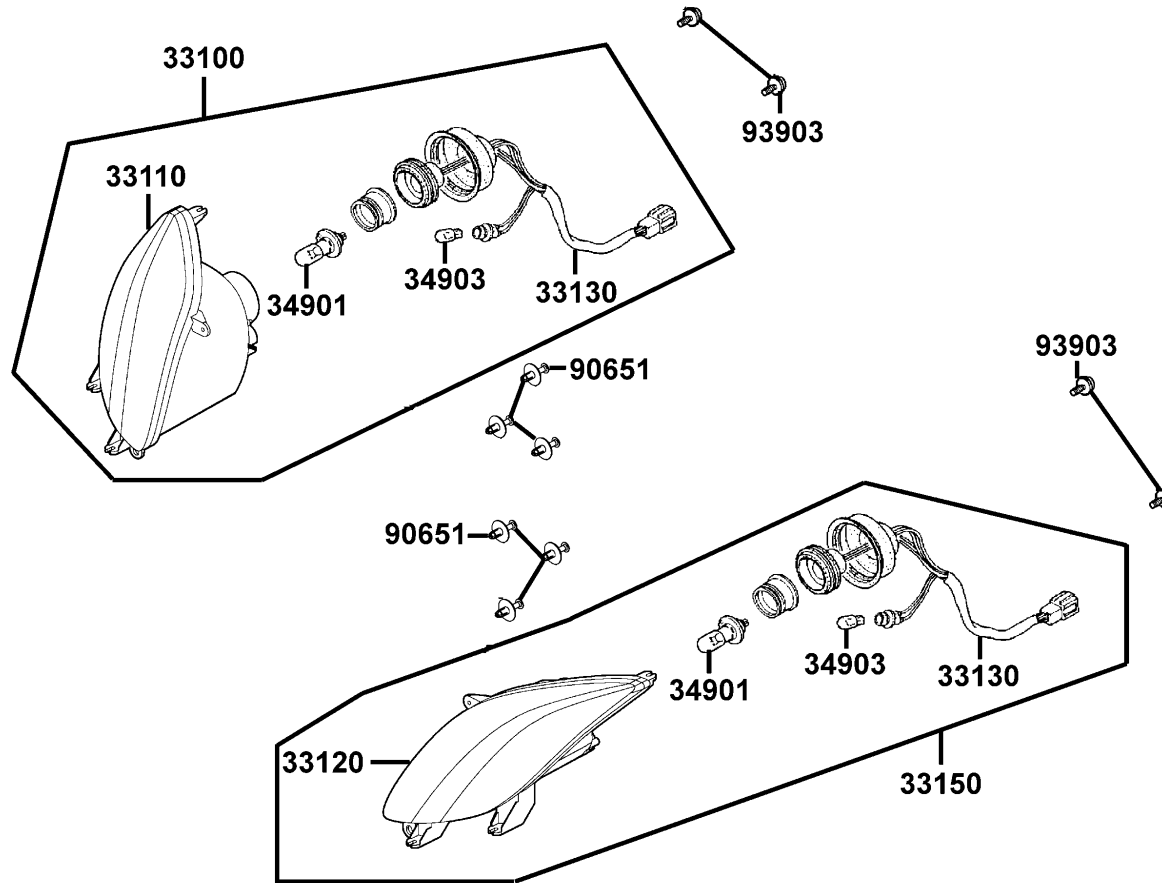
Carburetor



Sales mark	Ref no	Part no	Ver	Description	Reg description	Regd no	E09
	16113	16113-LDB5-E00	4	CABLE PILOT SCREW	CABLE PILOT SCREW	1	
	16114	16114-KEC3-900	0	SHAFT COVER	SHAFT COVER	1	
	16120	16120-KEC3-900	0	O-RING ACCP	O-RING ACCP	1	
	16131	16131-LDB5-E00	5	"SPRING, VACCUM PISTON"	"SPRING, VACCUM PISTON"	1	
	16132	16132-KEC3-900	1	SPG JET NEEDLE	SPG JET NEEDLE	1	
	16133	16133-LDB5-E00	3	"SPG, THROTTLE ADJ SCREW"	"SPG, THROTTLE ADJ SCREW"	1	
	16134	16134-LDB5-E00	3	"SPG, THROTTLE SHAFT"	"SPG, THROTTLE SHAFT"	1	
	16137	16137-LDB5-E00	2	COLLAR LEVER	COLLAR LEVER	1	
	16142	16142-KGC5-900	1	COVER ACV	COVER ACV	1	
	16165	16165-KGC5-900	1	DIAPHRAGM	DIAPHRAGM	1	
	16180	16180-KGC5-900	2	SPG ACV	SPG ACV	1	
	16181	16181-LDB5-E00	2	"TUBE , AIR VENT"	"TUBE , AIR VENT"	1	
	16183	16183-LDB5-E00	2	VALVE COMP L FLOAT	VALVE COMP L FLOAT	1	
	93500-04010	93500-04010-1A	0	SCREW 4*10	SCREW 4*10	4	
	93500-05012	93500-05012-1A	0	SCREW 5*12	SCREW 5*12	4	
	93891-04012	93891-04012-07	0	SCREW WASH 4X12	SCREW WASH 4X12	1	
	93891-04030	93891-04030-08	0	"SCREW-WASH., 4x30"	"SCREW-WASH., 4x30"	1	
	93892-04008	93892-04008-18	0	SCREW WASHER	SCREW WASHER	1	
	93892-04012	93892-04012-08	0	SCREW WASHER 4*12	SCREW WASHER 4*12	2	
	94540	94540-50029	0	E CLIP SHAFT	E CLIP SHAFT	1	

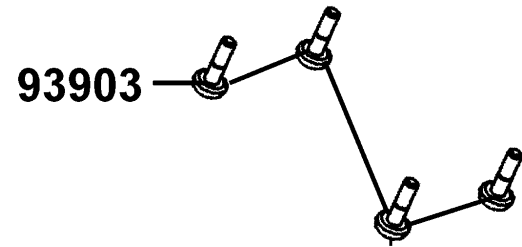
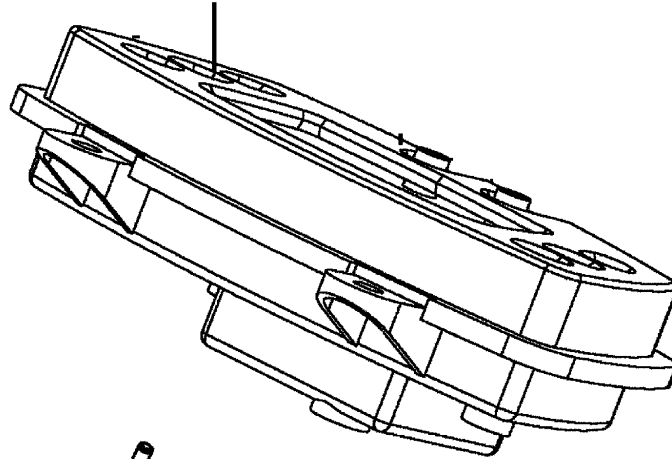
F01

Head Light



Sales mark	Ref no	Part no	Ver	Description	Reg description	Regd no	F01
	33100	33100-LDB5-E00	2	LIGHT ASSY R HEAD	LIGHT ASSY R HEAD	1	
	33110	33110-LDB5-E00	0	UNIT HEAD LIGHT R	UNIT HEAD LIGHT R	1	
	33120	33120-LDB5-E00	0	UNIT HEAD LIGHT L	UNIT HEAD LIGHT L	1	
	33130	33130-LDB5-E00	0	SOCKET COMP	SOCKET COMP	2	
	33150	33150-LDB5-E00	2	LIGHT ASSY L HEAD	LIGHT ASSY L HEAD	1	
	34901	34901-KFA6-900	0	BULB HEAD LIGHT	BULB HEAD LIGHT	2	
	34903	34903-KPCP-900	0	BULB POSITION	BULB POSITION	2	
	90651	90651-LCA5-E00	1	CLIP FENDER	CLIP FENDER	6	
	93903	93903-35360	0	SCREW TAPPING 5*16	SCREW TAPPING 5*16	4	

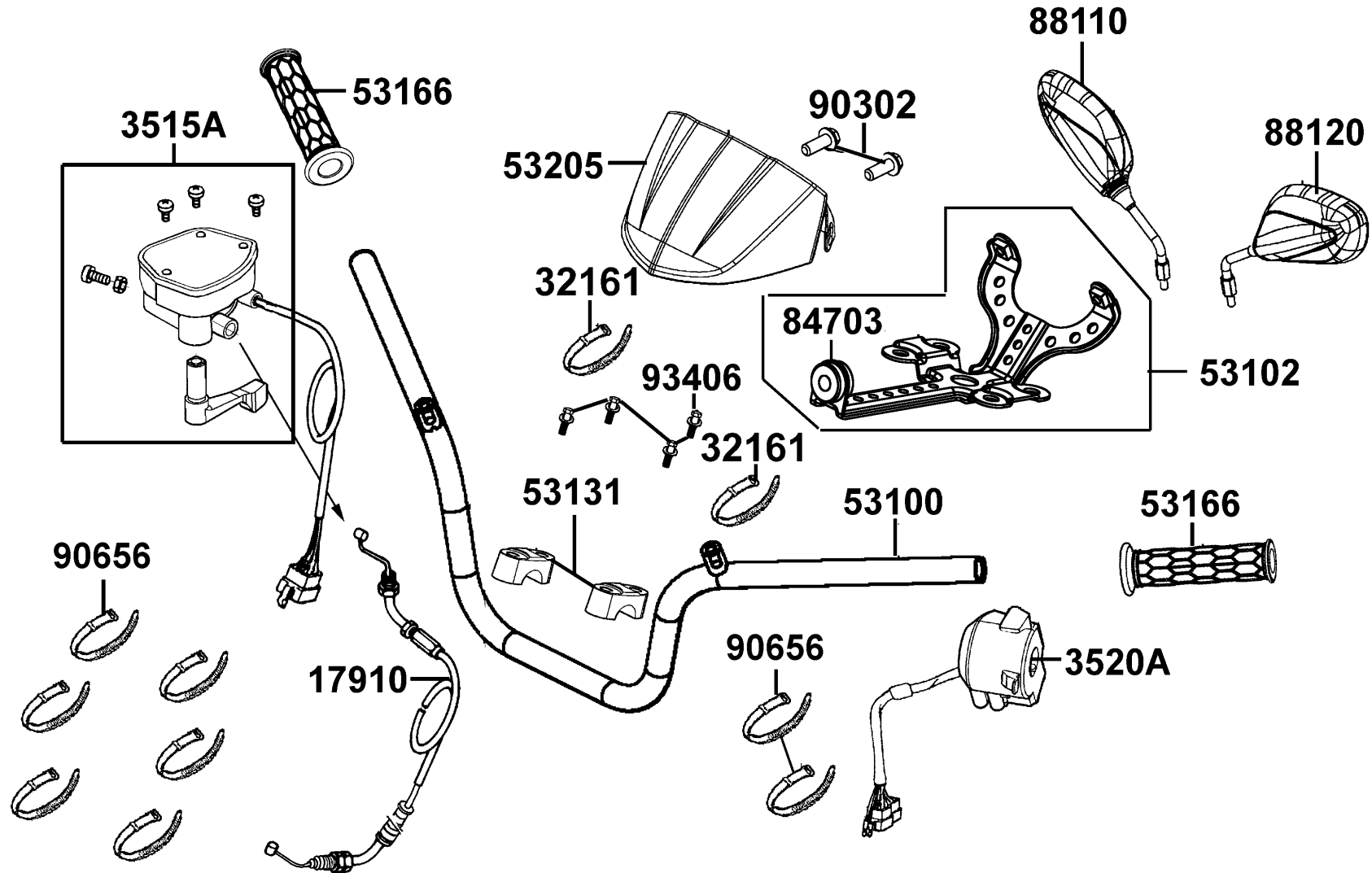
37200-LFE9-90A
37200-LFE9-90B



Sales mark	Ref no	Part no	Ver	Description	Reg description	Regd no	F02
	37200-LFE9-E0A	37200-LFE9-E0A	1	METER ASSY SPEED	METER ASSY SPEED	1	
	37200-LFE9-E0B	37200-LFE9-E0B	1	METER ASSY SPEED	METER ASSY SPEED	1	
	93903	93903-35360	0	SCREW TAPPING 5*16	SCREW TAPPING 5*16	4	

F03

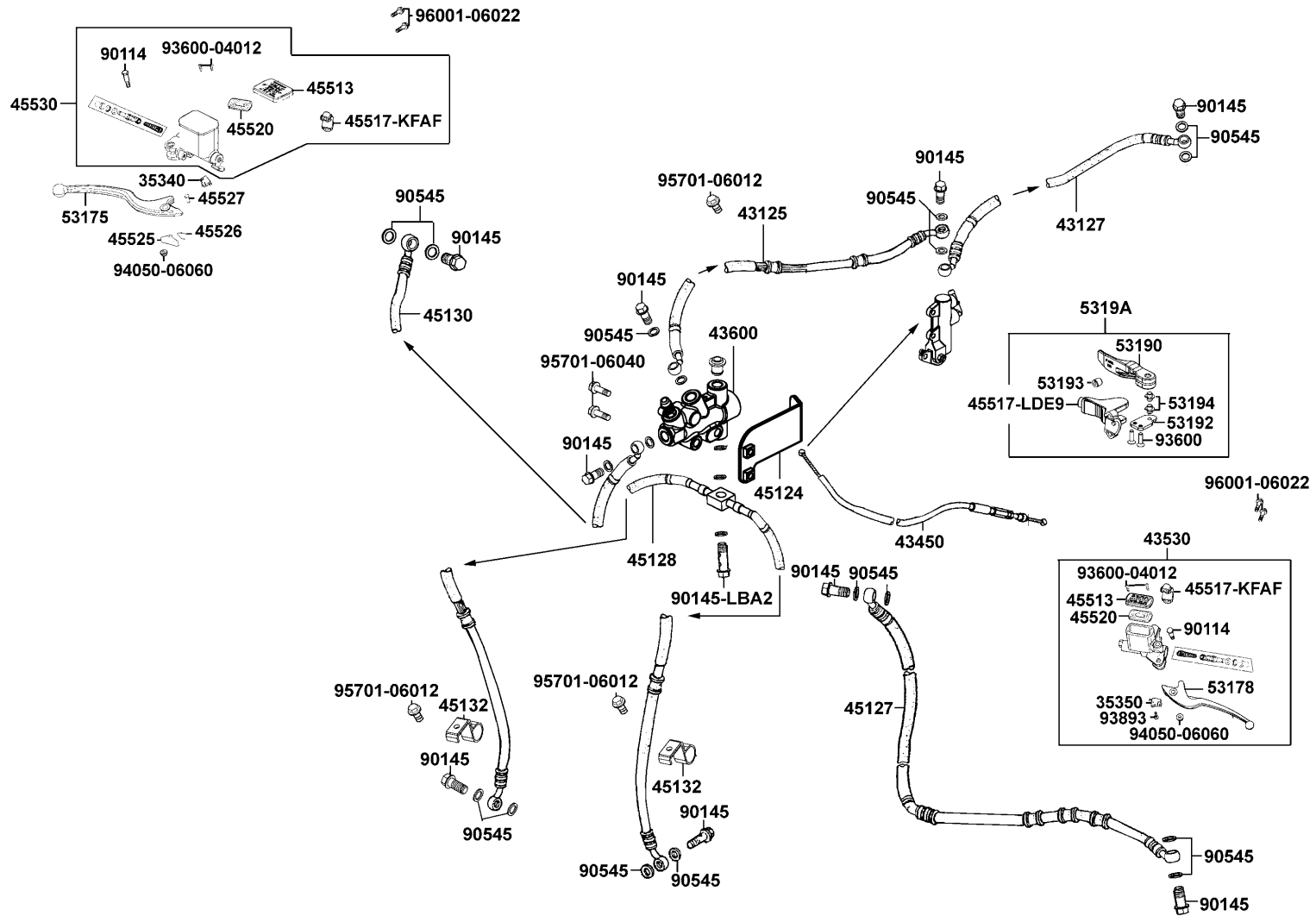
Handle Steering



Sales mark	Ref no	Part no	Ver	Description	Reg description	Regd no	F03
	17910	17910-LDB5-E00	3	CABLE COMP THROT	CABLE COMP THROT	1	
	32161	32161-4D04-001	2	BAND BI WIRE	BAND BI WIRE	2	
	3515A	3515A-LFE9-E00	0	SW & THROT ASSY RH HNDL	SW & THROT ASSY RH HNDL	1	
	3520A	3520A-LDB5-E00	1	SW ASSY HANDLE COMP	SW ASSY HANDLE COMP	1	
	53100	53100-LFE9-E00	2	HANDLEBAR	HANDLEBAR	1	
	53102	53102-LFE9-E00	1	STAY HANDLE COVER	STAY HANDLE COVER	1	
	53131	53131-4K39-001	0	HOLDER HANDLE PIPE	HOLDER HANDLE PIPE	2	
	53166	53166-LDB5-E00	0	GRIP HANDLE	GRIP HANDLE	2	
**	53205	53205-LDB5-E00	3	COVER HANDLE	COVER HANDLE	1	
	84703	84703-LLB1-900	1	RUBBER TAIL LIGHT	RUBBER TAIL LIGHT	1	
	88110	88110-LBA7-E00	1	MIRROR ASSY R BACK	MIRROR ASSY R BACK	1	
	88120	88120-LBA7-E00	1	MIRROR ASSY L BACK	MIRROR ASSY L BACK	1	
	90302	90302-GFY6-940	1	BOLT-WASH 5*16	BOLT-WASH 5*16	2	
#	90656	90656-KCBC-900	0	BAND OIL HOSE	BAND OIL HOSE	8	
	93406	93406-LLB1-900	0	BOLT-WASHER 8*35	BOLT-WASHER 8*35	4	

F04

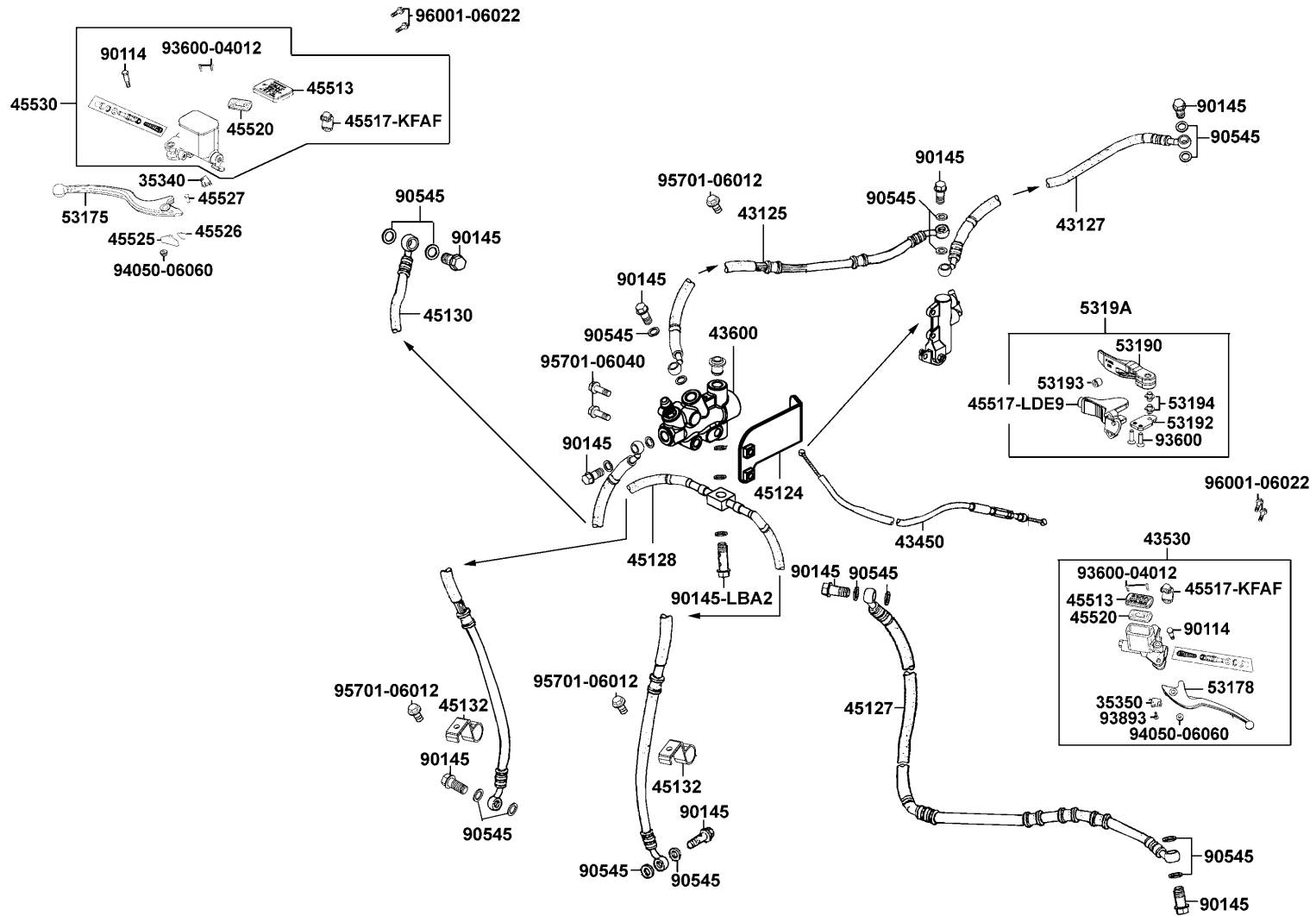
Master Cylinder



Sales mark	Ref no	Part no	Ver	Description	Reg description	Regd no	F04
	35340	35340-LDB5-900	0	SW ASSY FR STOP	SW ASSY FR STOP	1	
	35350	35350-KNBN-901	0	SW ASSY RR STOP	SW ASSY RR STOP	1	
	43125	43125-LFE9-E00	2	HOSE ASSY BRAKE	HOSE ASSY BRAKE	1	
	43127	43127-LFE9-E00	1	HOSE ASSY RR BRAKE	HOSE ASSY RR BRAKE	1	
	43450	43450-LFE9-E00	4	CABLE PARKING BRAKE	CABLE PARKING BRAKE	1	
	43530	43530-LFE9-305	0	CYLINDER SET RR NASTER	CYLINDER SET RR NASTER	1	
	43600	43600-LDB5-E00	2	PGV ASSY	PGV ASSY	1	
	45124	45124-LFE9-E00	2	STAY PGV	STAY PGV	1	
	45127	45127-LFE9-E00	2	HOSE ASSY RR BRAKE	HOSE ASSY RR BRAKE	1	
	45128	45128-LFE9-E00	2	HOSE ASSY FR BRAKE	HOSE ASSY FR BRAKE	1	
	45130	45130-LFE9-E00	2	HOSE ASSY FR BRAKE-RH	HOSE ASSY FR BRAKE-RH	1	
	45132	45132-LBA7-900	1	CLAMPER FR BRAKE HOSE	CLAMPER FR BRAKE HOSE	2	
	45513	45513-KKC4-900	0	CAP M/C	CAP M/C	2	
	45517-KFAF	45517-KFAF-910	0	HOLDER M/C	HOLDER M/C	2	
	45517-LDE9	45517-LDE9-E00	0	HOLDER	HOLDER	1	
	45520	45520-KKC4-900	0	DIAPHRAGM	DIAPHRAGM	2	
	45525	45525-LBA7-900	0	STOPPER	STOPPER	1	
	45526	45526-LBA7-900	0	SPRING	SPRING	1	
	45527	45527-LBA7-900	0	PIN PARK	PIN PARK	1	
	45530	45530-LDB5-305	0	CYLINDER SET FR	CYLINDER SET FR	1	

F04

Master Cylinder



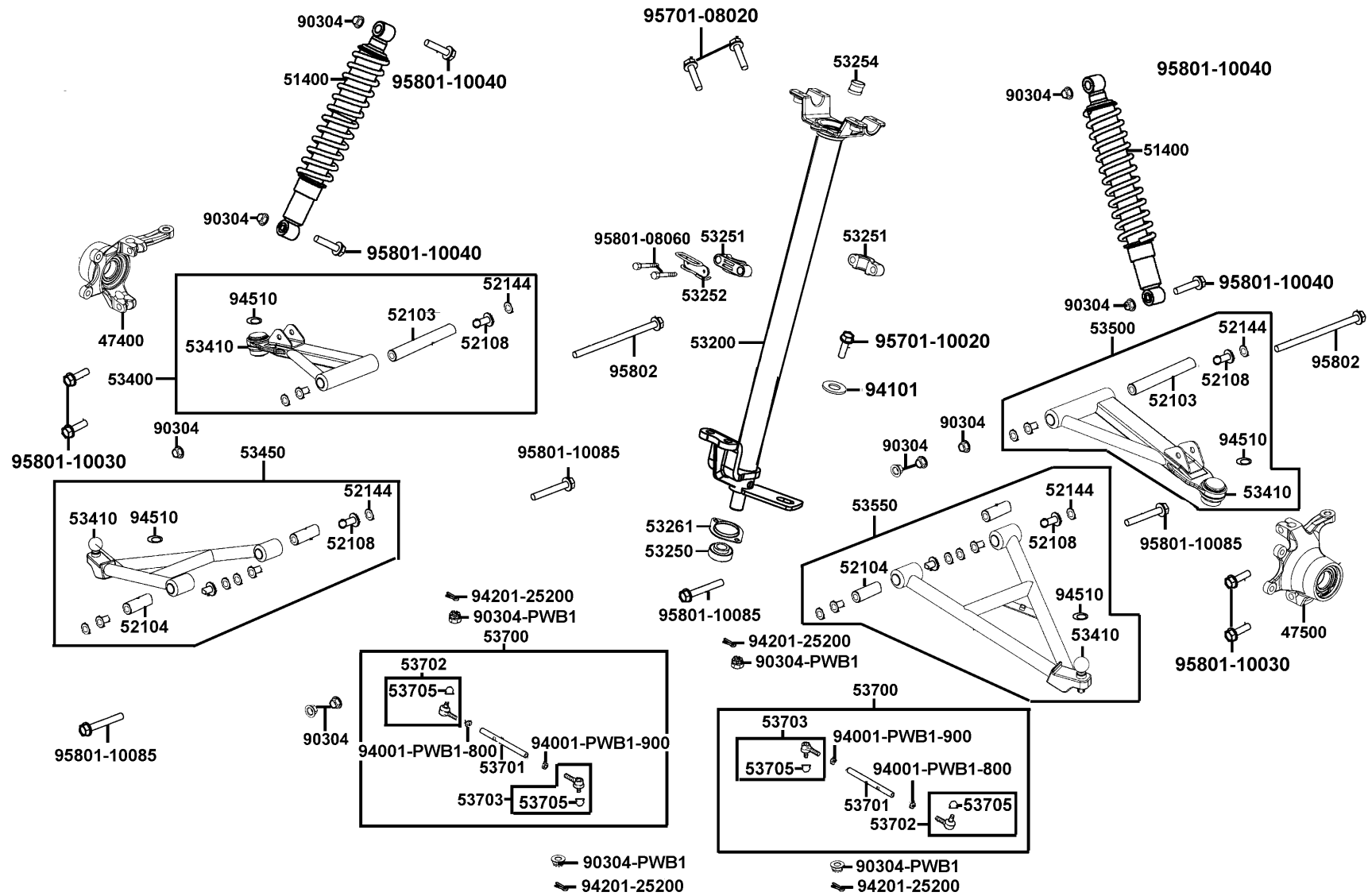
Sales mark	Ref no	Part no	Ver	Description	Reg description	Regd no	F04
	53175	53175-LDB5-900	0	LEVER R STRG HNDL	LEVER R STRG HNDL	1	
	53190	53190-LDE9-E00	0	LEVER	LEVER	1	
	53192	53192-LDE9-E00	0	BRACKET	BRACKET	1	
	53193	53193-LDE9-E00	0	STOPPER	STOPPER	1	
	53194	53194-LDE9-E00	0	PIVOT	PIVOT	2	
	5319A	5319A-LDE9-E00	3	PARKING BRAKE ASSY	PARKING BRAKE ASSY	1	
	90114	90114-1F66-007	2	BOLT HANDLE LEVER	BOLT HANDLE LEVER	2	
	90145	90145-LBA2-E00	2	OIL BOLT 10*33	OIL BOLT 10*33	1	
	90145-MKS9	90145-MKS9-61A-06	1	OIL BOLT 10*22	OIL BOLT 10*22	9	
	90545	90545-3L00-001	2	WASHER OIL BOLT	WASHER OIL BOLT	21	
	93600-04012	93600-04012-1G	0	SCREW FLAT 4*12	SCREW FLAT 4*12	4	
	93600	93600-LDE9-E00	0	SCREW FLAT M6	SCREW FLAT M6	2	
	93893	93893-04012-18	0	SCREW WASHER 4*12	SCREW WASHER 4*12	1	
	94050	94050-06060	0	NUT FLANGE 6MM	NUT FLANGE 6MM	2	
	95701-06012	95701-06012-06	1	BOLT FLANGE 6*12	BOLT FLANGE 6*12	2	
	95701-06040	95701-06040-06	0	BOLT FLANGE 6*40	BOLT FLANGE 6*40	2	
	96001	96001-06022-06	1	BOLT FLANGE 6*20	BOLT FLANGE 6*20	4	

Sales mark	Ref no	Part no	Ver	Description	Reg description	Regd no	F05
**	17700	17700-LDB5-E00	2	COVER TANK	COVER TANK	1	
	17705	17705-LDB5-E00	2	TUBE ASSY FUEL DRAIN	TUBE ASSY FUEL DRAIN	1	
	17720	17720-LBA7-900	1	TRAY TANK COVER	TRAY TANK COVER	1	
**	60100	60100-LDB5-E00	5	FENDER FRONT	FENDER FRONT	1	
	60103	60103-LFE9-E00	2	CATCH LID	CATCH LID	1	
	60108	60108-LDB5-E00	2	SEAL LID	SEAL LID	1	
	6010B	6010B-LDB5-E00	2	BOX ASSY TOOL	BOX ASSY TOOL	1	
**	6010C	6010C-LDB5-E00	3	LID ASSY TOOL BOX	LID ASSY TOOL BOX	1	
**	60120	60120-LDB5-E00	3	GUIDE COVER CHANGE HANDLE	GUIDE COVER CHANGE HANDLE	1	
**	60130	60130-LFE9-E00	0	PROTECTOR R	PROTECTOR R	1	
**	60140	60140-LFE9-E00	0	PROTECTOR L	PROTECTOR L	1	
**	60200	60200-LDB5-E00	2	MUDGUARD FRONT	MUDGUARD FRONT	1	
**	61200	61200-LDB5-E00	3	MUDGUARD R FR SIDE	MUDGUARD R FR SIDE	1	
**	61300	61300-LDB5-E00	3	MUDGUARD L FR SIDE	MUDGUARD L FR SIDE	1	
**	64300	64300-LFE9-E00	3	PLATE SKID	PLATE SKID	1	
**	64302	64302-LDB5-E00	3	BUMPER FRONT	BUMPER FRONT	1	
**	6430A	6430A-LDB5-E00	1	COVER ASSY FRONT	COVER ASSY FRONT	1	
**	64330	64330-LFE9-E00	0	GUARD R BOOT	GUARD R BOOT	1	
**	64340	64340-LFE9-E00	0	GUARD L BOOT	GUARD L BOOT	1	
	80110	80110-LDB5-900	1	RUBBER FENDER	RUBBER FENDER	2	

Sales mark	Ref no	Part no	Ver	Description	Reg description	Regd no	F05
	80115	80115-LDB5-900	1	COLLAR FENDER	COLLAR FENDER	2	
	83551	83551-LDB5-E00	1	GROMMET COVER	GROMMET COVER	3	
	90302	90302-PWA1-900	2	BOLT-WASH 5*16	BOLT-WASH 5*16	2	
	90305	90305-GHK8-001	1	NUT CLIP 6MM	NUT CLIP 6MM	2	
	90652	90652-LCA4-E00	1	CLIP MUDGUARD	CLIP MUDGUARD	18	
	90655	90655-PWA2-900	1	CLIP FENDER MOUNTING	CLIP FENDER MOUNTING	4	
	90677	90677-GAR1-004	1	NUT CLIP 5MM	NUT CLIP 5MM	2	
#	93404-06016	93404-06016-06	0	BOLT WASHER 6*16	BOLT WASHER 6*16	18	
	93404-06020	93404-06020-06	1	BOLT WASH 6*20	BOLT WASH 6*20	2	
#	93903-34360	93903-34360	0	SCREW TAPPING 4*12	SCREW TAPPING 4*12	2	
	93903-35260	93903-35260	0	SCREW TAPPING 5*12	SCREW TAPPING 5*12	5	
	93903-35360	93903-35360	0	SCREW TAPPING 5*16	SCREW TAPPING 5*16	8	
#	94591-27000	94591-27000	0	CLIP 2*70	CLIP 2*70	2	
	95002	95002-02100	0	CLIP B15 TUBE	CLIP B15 TUBE	1	

F06

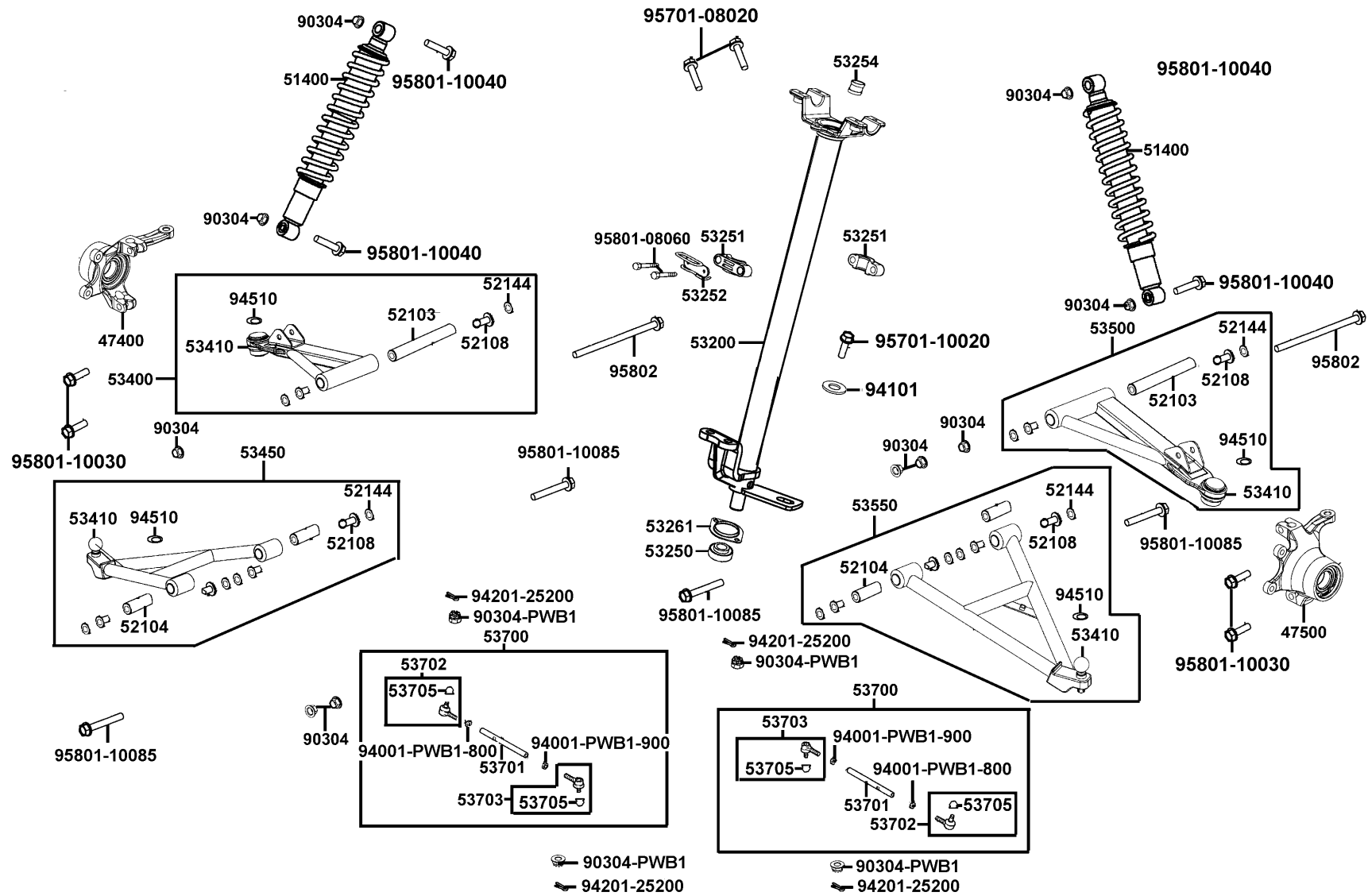
Stem Steering



Sales mark	Ref no	Part no	Ver	Description	Reg description	Regd no	F06
	47400	47400-PWB1-900	3	KNUCKLE STEERING ASSEMBLY	KNUCKLE STEERING ASSEMBLY	1	
	47500	47500-PWB1-900	3	KNUCKLE STEERING ASSEMBLY	KNUCKLE STEERING ASSEMBLY	1	
**	51400	51400-LFE9-E00	2	CUSHION ASSY FR	CUSHION ASSY FR	2	
	52103	52103-PWB1-900	2	SLEEVE SUSPENSION	SLEEVE SUSPENSION	2	
	52104	52104-PWB1-900	2	SLEEVE SUSPENSION	SLEEVE SUSPENSION	4	
	52108	52108-PWB1-900	3	BUSHING SUSPENSION	BUSHING SUSPENSION	12	
	52144	52144-PWB1-900	2	SEAL SUSPENSION	SEAL SUSPENSION	12	
	53200	53200-LFE9-E00	4	POST STEERING	POST STEERING	1	
	53250	53250-PWB1-900	1	BEARING STEERING - LOW SPEED	BEARING STEERING - LOW	1	
	53251	53251-LCA5-E00	1	HOLDER STEM STEERING	HOLDER STEM STEERING	2	
	53252	53252-LBA7-900	4	CLAMPER STEM HOLDER	CLAMPER STEM HOLDER	1	
	53254	53254-LBA7-900	3	SLEEVE STEM	SLEEVE STEM	1	
	53261	53261-PWB1-900	2	FLANGE BEARING - TWO MTG HOLE	FLANGE BEARING - TWO MTG	1	
**	53400	53400-LFE9-E00	1	A-ARM ASSY FR UPPER R/H	A-ARM ASSY FR UPPER R/H	1	
	53410	53410-PWB1-900	2	BALL JOINT ASSY	BALL JOINT ASSY	4	
**	53450	53450-LFE9-E00	1	A-ARM ASSY FR LOWER RH	A-ARM ASSY FR LOWER RH	1	
**	53500	53500-LFE9-E00	1	A-ARM ASSY FR UPPER LH	A-ARM ASSY FR UPPER LH	1	
**	53550	53550-LFE9-E00	1	A-ARM ASSY FR LOWER LH	A-ARM ASSY FR LOWER LH	1	
	53700	53700-LFE9-E00	0	TIE ROD-ASSY	TIE ROD-ASSY	2	
	53701	53701-LFE9-E00	0	TIE ROD	TIE ROD	2	

F06

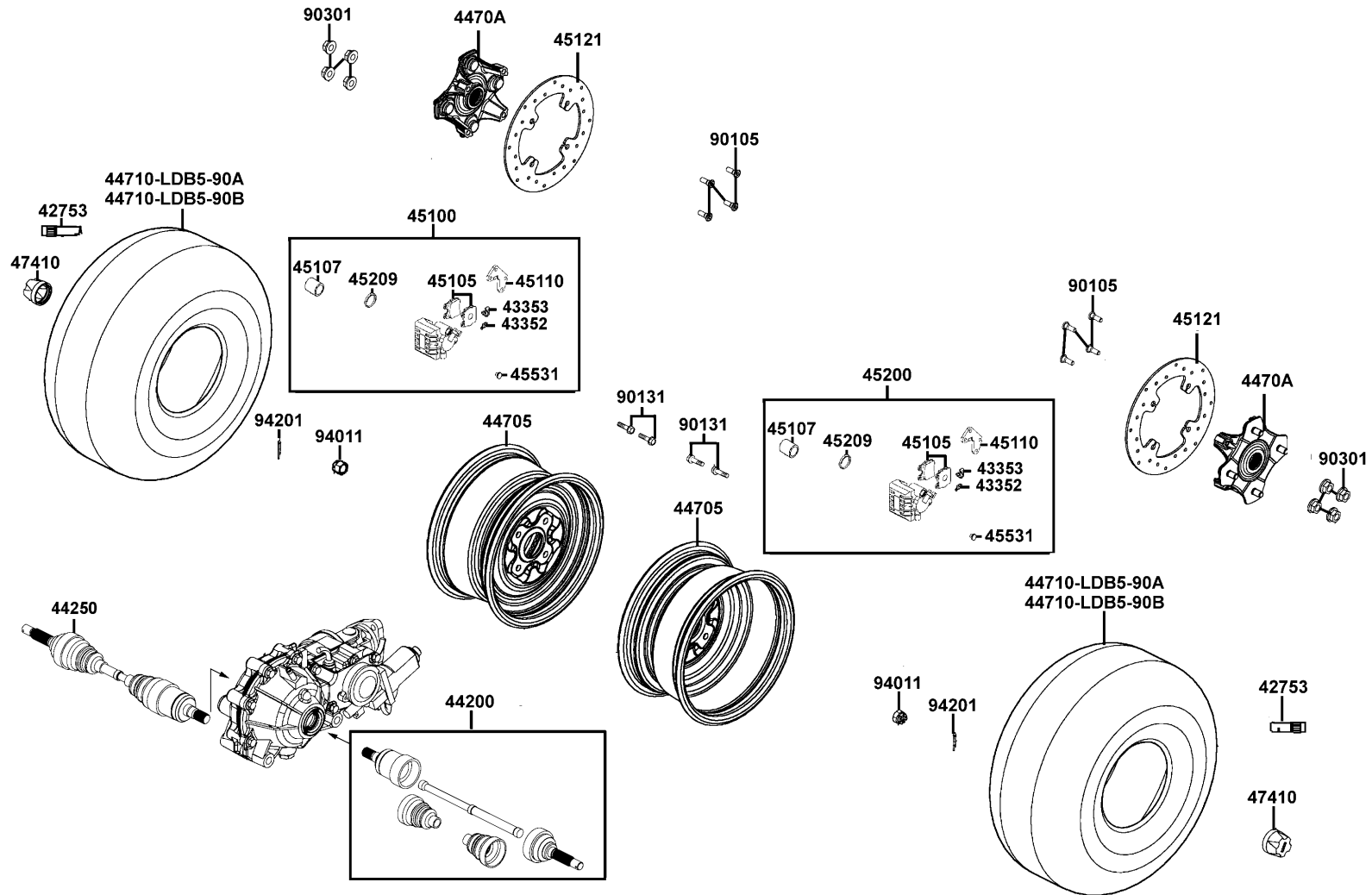
Stem Steering



Sales mark	Ref no	Part no	Ver	Description	Reg description	Regd no	F06
	53702	53702-LFE9-E00	0	JOINT R BALL	JOINT R BALL	2	
	53703	53703-LFE9-E00	0	JOINT L BALL	JOINT L BALL	2	
	53705	53705-PWB1-900	1	BOLT BALL JOINT	BOLT BALL JOINT	4	
#	90304	90304-GHE8-004	0	NUT U 10MM	NUT U 10MM	10	
	90304	90304-PWB1-900	2	NUT TOP LOCK	NUT TOP LOCK	4	
	94001-PWB1-800	94001-PWB1-800	0	NUT FLANGR 16mm	NUT FLANGR 16mm	2	
	94001-PWB1-900	94001-PWB1-900	4	NUT FLANGR 16mm	NUT FLANGR 16mm	2	
	94101	94101-PWB1-900	1	WASHER FLAT	WASHER FLAT	1	
	94201-25200	94201-25200	0	PIN SPLIT 2.5*20	PIN SPLIT 2.5*20	4	
	94510	94510-PWB1-900	0	"CIRCLIP EX, 29"	"CIRCLIP EX, 29"	4	
	95701-08020	95701-08020-06	1	BOLT FLANGE 8*20	BOLT FLANGE 8*20	2	
	95701-10020	95701-10020-06	0	BOLT FLANGE 10*20	BOLT FLANGE 10*20	1	
	95801-08060	95801-08060-06	0	BOLT FLANGE 8*60	BOLT FLANGE 8*60	2	
	95801-10030	95801-10030-06	0	BOLT FLANGE 10*30(G)	BOLT FLANGE 10*30(G)	4	
	95801-10040	95801-10040-08	0	BOLT FLANGE 10*40	BOLT FLANGE 10*40	4	
	95801-10085	95801-10085-06	1	BOLT FLANGE 10*85	BOLT FLANGE 10*85	4	
	95802	95802-PWB1-900	2	SCREW CAP-HFH M10x1.25	SCREW CAP-HFH M10x1.25	2	

F07

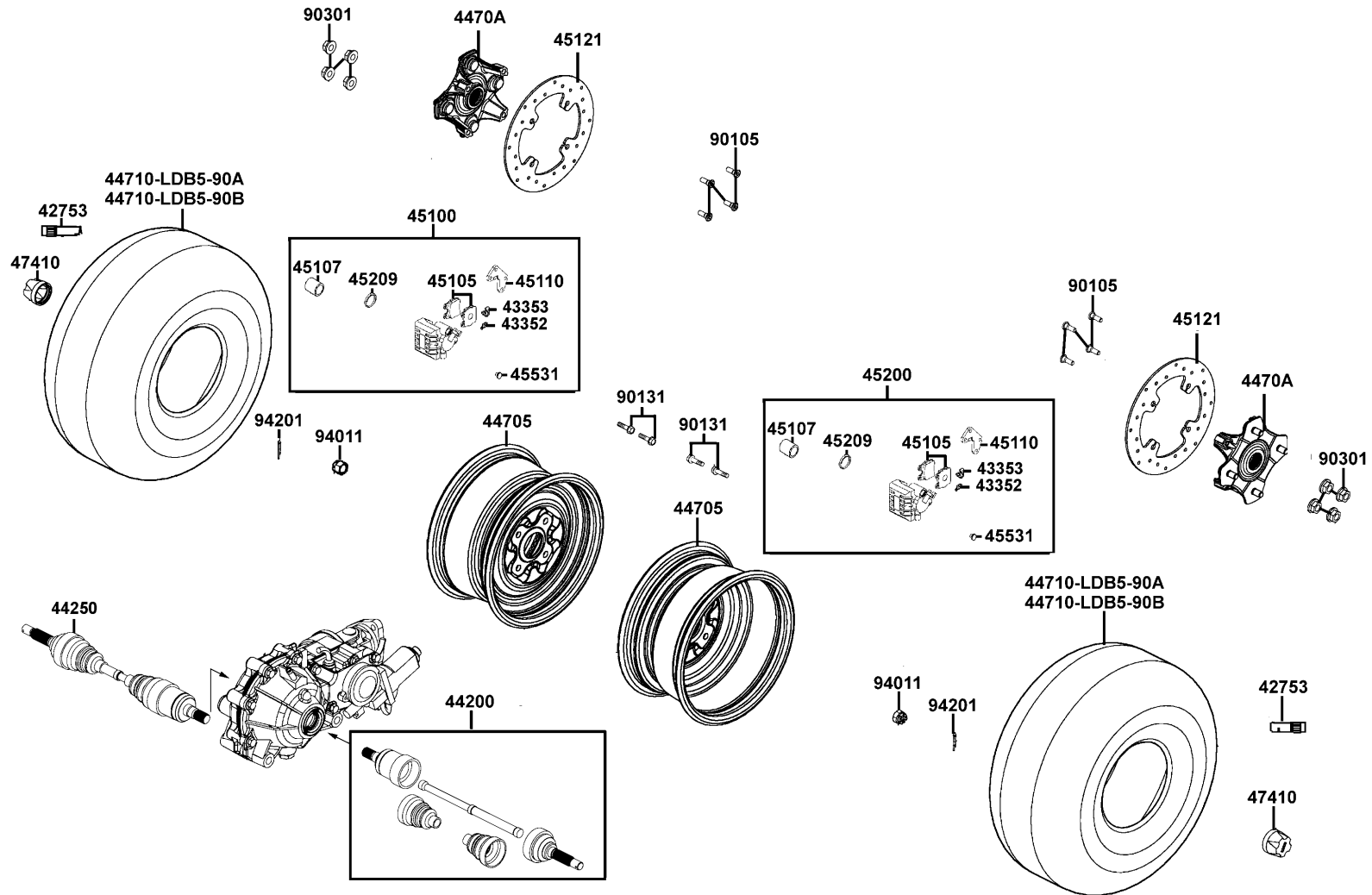
Front Wheel



Sales mark	Ref no	Part no	Ver	Description	Reg description	Regd no	F07
	42753	42753-KNBN-90B	1	VALVE RIM (TR 412)	VALVE RIM (TR 412)	2	
	43352	43352-KKD6-E90	1	SCREW BLEEDER	SCREW BLEEDER	2	
	43353	43353-4A61-77A	0	CAP BLEEDER	CAP BLEEDER	2	
	44200	44200-LFE9-E00	0	HALF SHAFT FRONT-RH	HALF SHAFT FRONT-RH	1	
	44250	44250-LFE9-E00	0	HALF SHAFT FRONT-LH	HALF SHAFT FRONT-LH	1	
**	44705	44705-LFE9-E00	1	RIM COMP FR WHEEL	RIM COMP FR WHEEL	2	
	4470A	4470A-LFA5-E00	2	HUB ASSEMBLY	HUB ASSEMBLY	2	
	44710-LDB5-90A	44710-LDB5-90A	1	TIRE ASSY FR	TIRE ASSY FR	2	
	44710-LDB5-90B	44710-LDB5-90B	1	TIRE ASSY FR	TIRE ASSY FR	2	
**	45100	45100-LFE9-E00	2	CALIPER ASSY FR BRK-RH	CALIPER ASSY FR BRK-RH	1	
	45105	45105-LFE9-305	0	PAD SET	PAD SET	2	
	45107	45107-LFE9-E00	0	PISTON	PISTON	2	
	45110	45110-LFE9-E00	0	BRACKET	BRACKET	2	
	45121	45121-PWB1-900	2	DISK BRAKE	DISK BRAKE	2	
**	45200	45200-LFE9-E00	2	CALIPER ASSY FR BRK-LH	CALIPER ASSY FR BRK-LH	1	
	45209	45209-LFE9-E00	0	SEAL PISTON	SEAL PISTON	4	
**	45531	45531-GAR1-951	0	PLUG	PLUG	2	
	47410	47410-LDB5-E00	2	CAP WHEEL SHAFT	CAP WHEEL SHAFT	2	
	90105	90105-PWB1-900	4	STUD WHEEL MOUNTING	STUD WHEEL MOUNTING	8	
	90131	90131-LDB5-E00	1	BOLT FLANGE 8*20	BOLT FLANGE 8*20	4	

F07

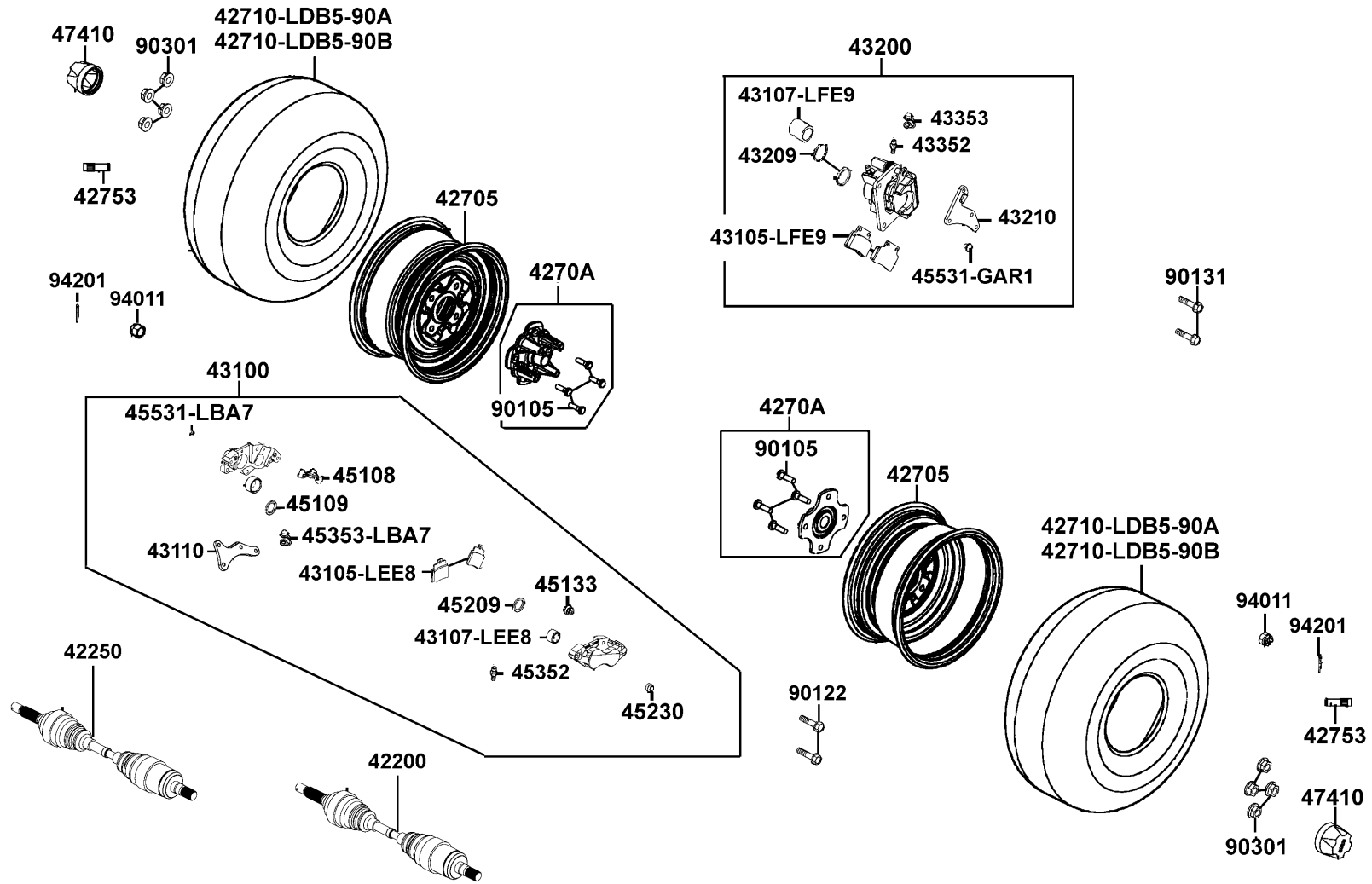
Front Wheel



Sales mark	Ref no	Part no	Ver	Description	Reg description	Regd no	F07
	90301	90301-PWB1-900	1	NUT LUG-M10 (60 DEG)	NUT LUG-M10 (60 DEG)	8	
	94011	94011-PWB1-900	1	NUT CASTLE FLANGE M22x1.5	NUT CASTLE FLANGE M22x1.5	2	
	94201-30400	94201-30400	0	PIN SPLIT 3*40	PIN SPLIT 3*40	2	

F08

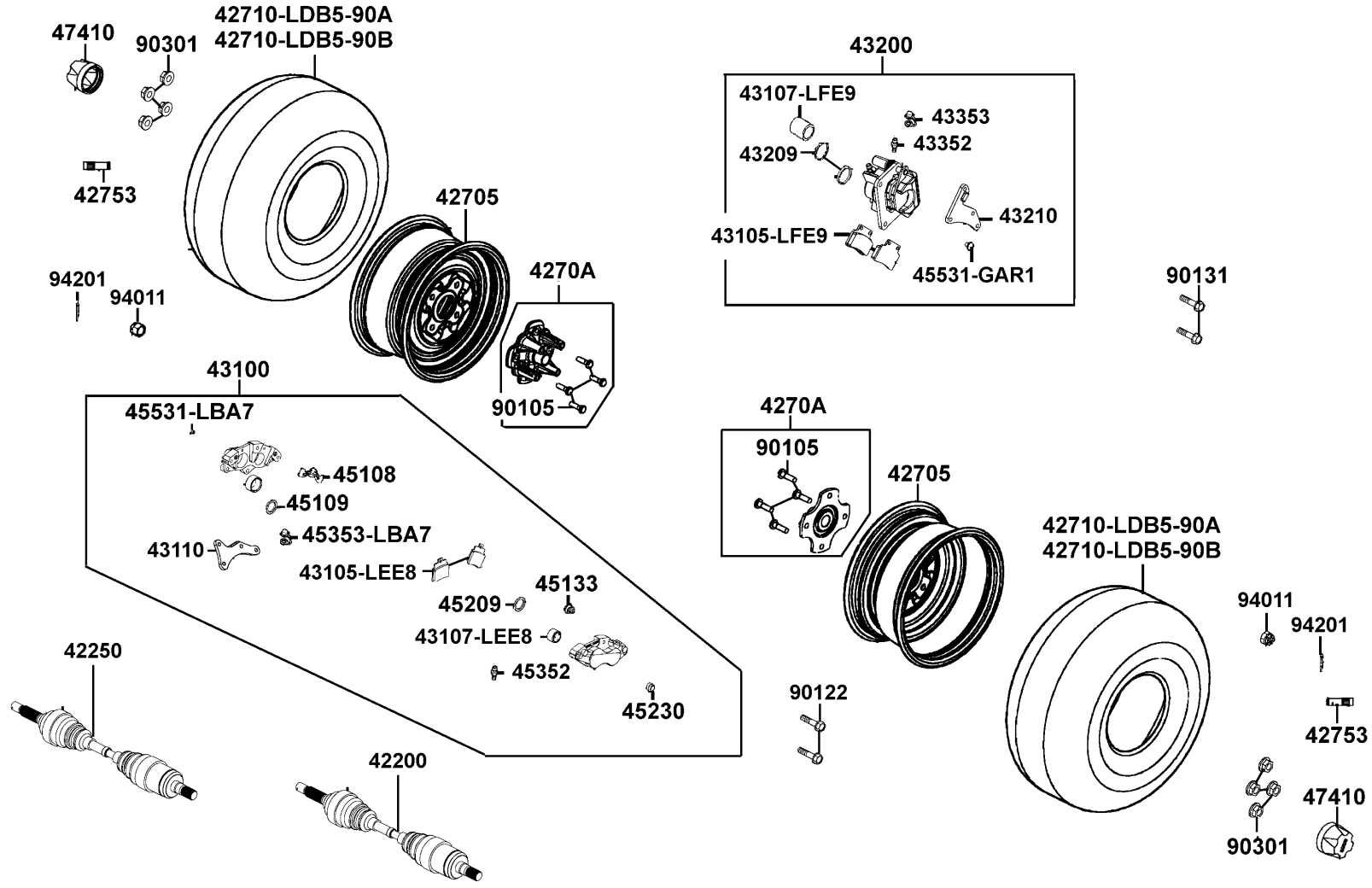
Rear Wheel



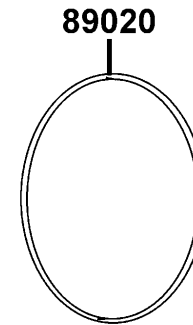
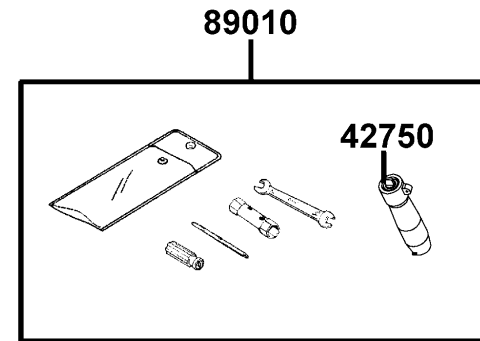
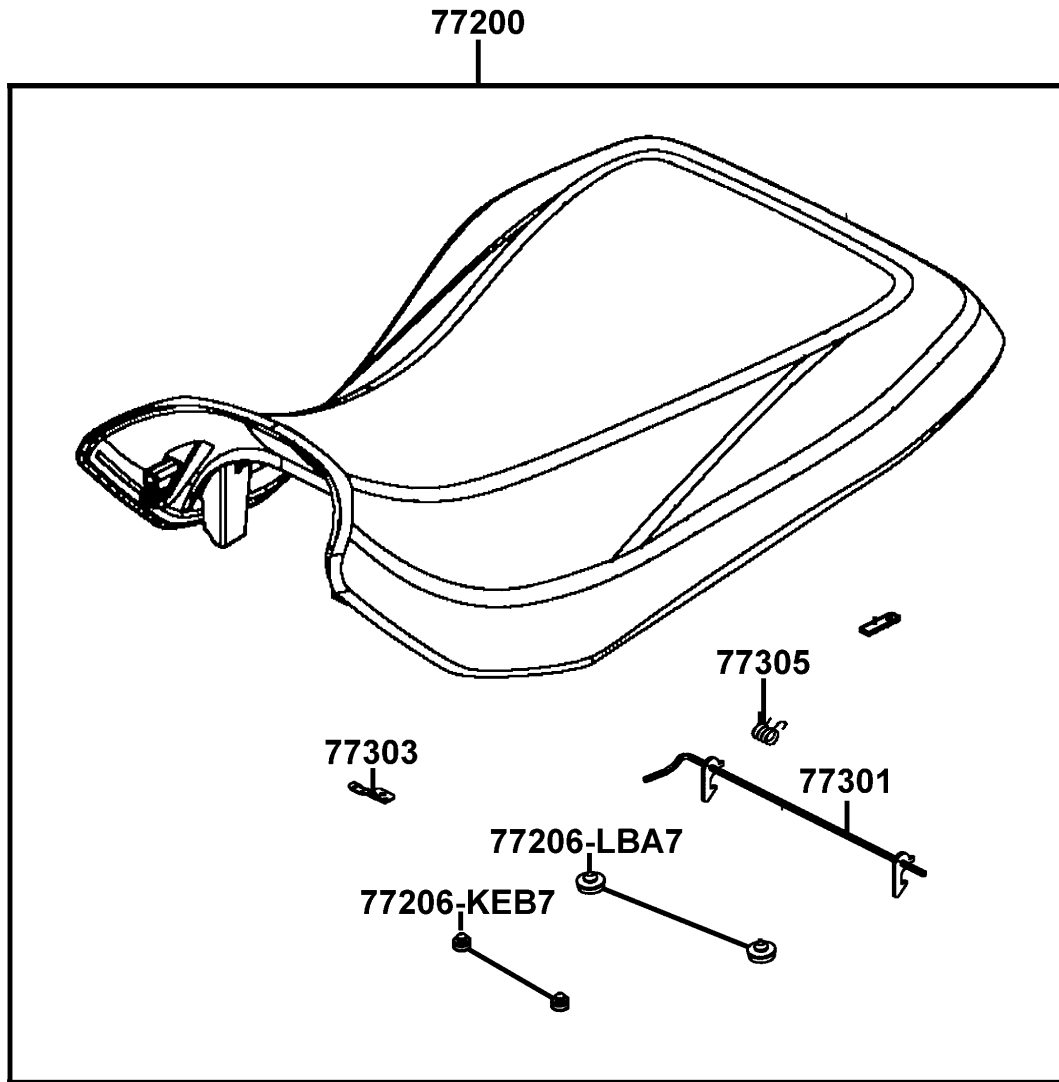
Sales mark	Ref no	Part no	Ver	Description	Reg description	Regd no	F08
	42200	42200-LFE9-E00	1	HALF SHAFT REAR-RH	HALF SHAFT REAR-RH	1	
	42250	42250-LFE9-E00	1	HALF SHAFT REAR-LH	HALF SHAFT REAR-LH	1	
**	42705	42705-LFE9-E00	2	RIM COMP RR WHEEL	RIM COMP RR WHEEL	2	
	4270A	4270A-LFA5-E00	2	HUB ASSEMBLY	HUB ASSEMBLY	2	
	42710-LDB5-90A	42710-LDB5-90A	1	TIRE ASSY RR	TIRE ASSY RR	2	
	42710-LDB5-90B	42710-LDB5-90B	1	TIRE ASSY RR	TIRE ASSY RR	2	
	42753	42753-KNBN-90B	1	VALVE RIM (TR 412)	VALVE RIM (TR 412)	2	
	43100	43100-LFE9-E00	3	CALIPER ASSY RR BRK	CALIPER ASSY RR BRK	1	
	43105-LEE8	43105-LEE8-305	0	PAD ASSY	PAD ASSY	1	
	43105-LFE9	43105-LFE9-305	0	PAD SET	PAD SET	1	
	43107-LEE8	43107-LEE8-E00	0	PISTON	PISTON	1	
	43107-LFE9	43107-LFE9-E00	0	PISTON	PISTON	1	
	43110	43110-LFE9-305	0	BRACKET ASSY	BRACKET ASSY	1	
**	43200	43200-LFE9-E00	3	CALIPER ASSY RR BRK	CALIPER ASSY RR BRK	1	
	43209	43209-KKC4-900	0	SEAL PISTON	SEAL PISTON	2	
	43210	43210-LFE9-305	0	BRACKET ASSY	BRACKET ASSY	1	
	43352	43352-KKD6-E90	1	SCREW BLEEDER	SCREW BLEEDER	1	
	43353	43353-4A61-77A	0	CAP BLEEDER	CAP BLEEDER	1	
	45108	45108-LBA7-900	0	SPRING PAD	SPRING PAD	2	
	45109	45109-PWA1-900	0	DUST SEAL	DUST SEAL	1	

F08

Rear Wheel



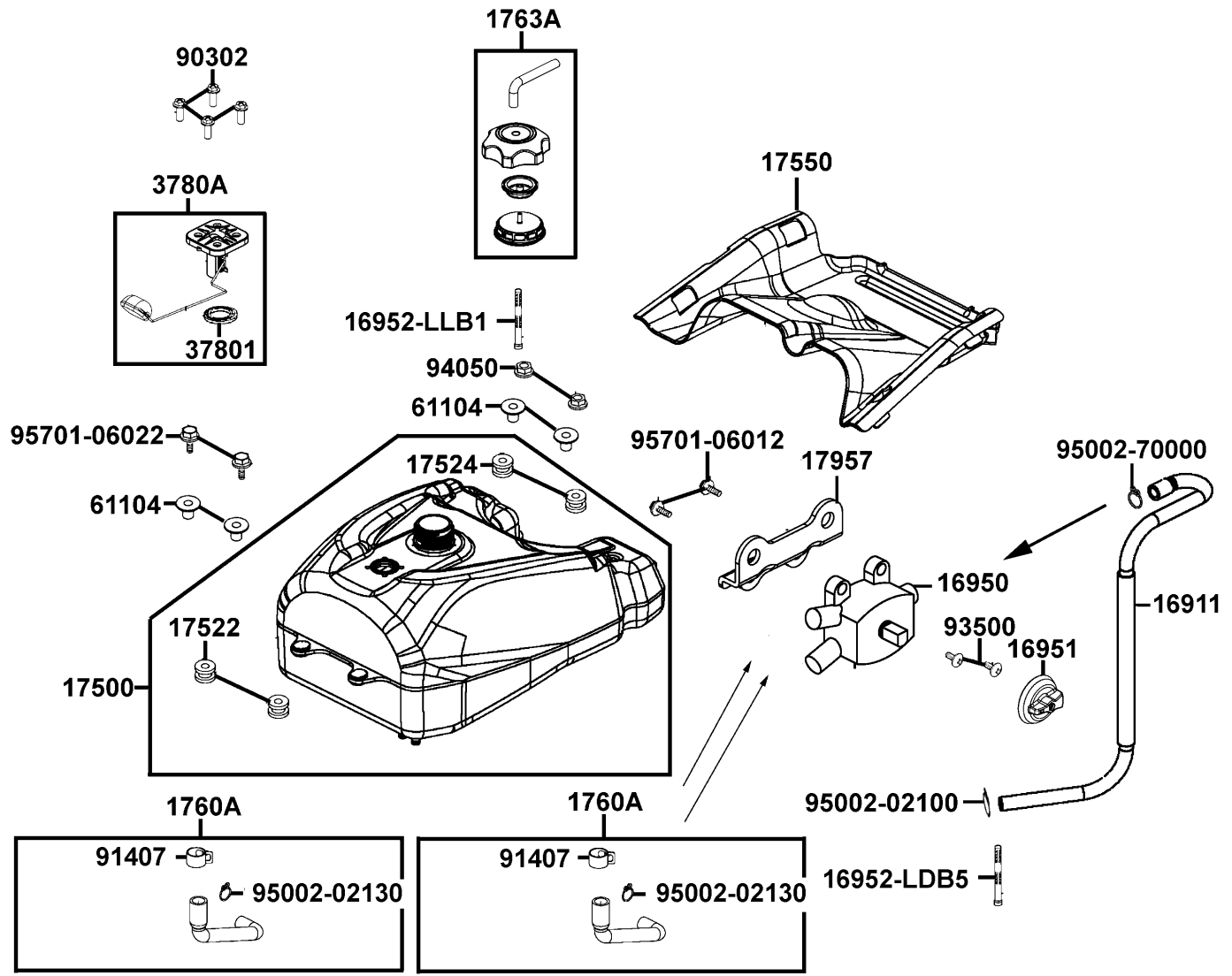
Sales mark	Ref no	Part no	Ver	Description	Reg description	Regd no	F08
	45133	45133-LBA7-900	0	BOOT A	BOOT A	2	
	45209	45209-PWA1-900	0	SEAL PISTON	SEAL PISTON	1	
	45230	45230-LBA7-900	0	BUSH PIN	BUSH PIN	1	
	45352	45352-LBA7-900	0	BLEEDER	BLEEDER	1	
	45353	45353-LBA7-900	0	CAP BLEEDER	CAP BLEEDER	2	
**	45531-GAR1	45531-GAR1-951	0	PLUG	PLUG	1	
	45531-LBA7	45531-LBA7-900	0	PLUG	PLUG	2	
	47410	47410-LDB5-E00	2	CAP WHEEL SHAFT	CAP WHEEL SHAFT	2	
	90105	90105-PWB1-900	4	STUD WHEEL MOUNTING	STUD WHEEL MOUNTING	8	
	90122	90122-KEBE-900	2	BOLT FLANGE 8*32	BOLT FLANGE 8*32	2	
	90131	90131-KEBE-900	2	BOLT FLANGE 8*24	BOLT FLANGE 8*24	2	
	90301	90301-PWB1-900	1	NUT LUG-M10 (60 DEG)	NUT LUG-M10 (60 DEG)	8	
	94011	94011-PWB1-900	1	NUT CASTLE FLANGE M22x1.5	NUT CASTLE FLANGE M22x1.5	2	
	94201	94201-30400	0	PIN SPLIT 3*40	PIN SPLIT 3*40	2	



Sales mark	Ref no	Part no	Ver	Description	Reg description	Regd no	F09
	42750	42750-LDB1-700	1	GEAR AIR PRESSURE	GEAR AIR PRESSURE	1	
**	77200	77200-LFE9-E00	0	SEAT ASSY	SEAT ASSY	1	
	77206-KEB7	77206-KEB7-900	0	RUBBER SEAT CUSH	RUBBER SEAT CUSH	2	
	77206-LBA7	77206-LBA7-900	1	RUBBER SEAT CUSH	RUBBER SEAT CUSH	2	
	77301	77301-LDB5-E00	3	LOCK COMP SEAT	LOCK COMP SEAT	1	
	77303	77303-LDB5-E00	1	STAY SEAT	STAY SEAT	1	
	77305	77305-LDB5-E00	1	SPRING HOOK BAR	SPRING HOOK BAR	1	
	89010	89010-LFE9-E00	1	TOOL SET	TOOL SET	1	
	89020	89020-KKC4-900	1	BAND TOOL SET	BAND TOOL SET	1	

F10

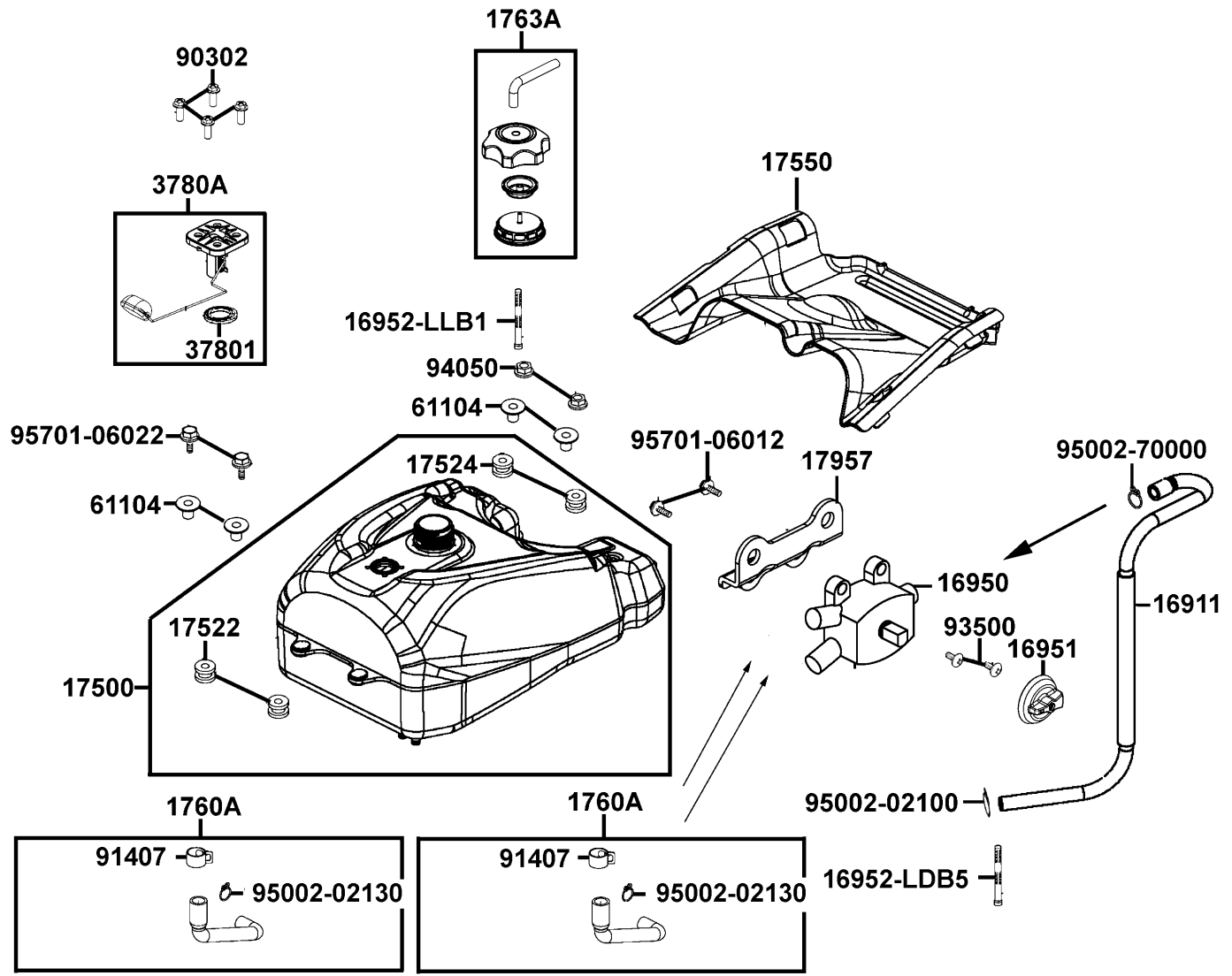
Fuel Tank



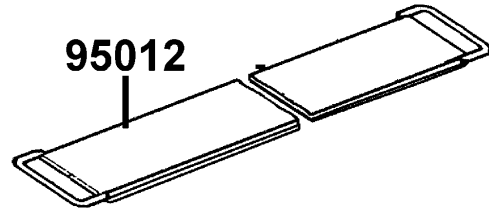
Sales mark	Ref no	Part no	Ver	Description	Reg description	Regd no	F10
	16911	16911-LDB5-600	1	TUBE ASSY FUEL	TUBE ASSY FUEL	1	
	16950	16950-LDB5-600	3	COCK FUEL	COCK FUEL	1	
**	16951	16951-LDB5-E00	2	COVER FUEL COCK	COVER FUEL COCK	1	
	16952-LDB5	16952-LDB5-600	0	SCREW FUEL STRAINER	SCREW FUEL STRAINER	1	
	16952-LLB1	16952-LLB1-900	1	SCREEN FUEL STRAINER	SCREEN FUEL STRAINER	1	
	17500	17500-LDB5-E00	8	TANK COMP FUEL	TANK COMP FUEL	1	
	17522	17522-LLB1-900	1	RUBBER FUEL TANK	RUBBER FUEL TANK	2	
	17524	17524-LLB1-900	1	RR RUBBER FUEL TANK	RR RUBBER FUEL TANK	2	
**	17550	17550-LDB5-E00	1	GUARD FUEL TANK	GUARD FUEL TANK	1	
	1760A	1760A-LDB5-600	2	TUBE ASSY FUEL TANK	TUBE ASSY FUEL TANK	2	
	1763A	1763A-LDB5-E00	1	CAP ASSY FUEL FILLER	CAP ASSY FUEL FILLER	1	
	17957	17957-LDB5-600	0	STAY FUEL COCK	STAY FUEL COCK	1	
	37801	37801-LAB4-910	1	PACKING BASE	PACKING BASE	1	
	3780A	3780A-LDB5-E00	2	FUEL UNIT ASSY	FUEL UNIT ASSY	1	
	61104	61104-3G57-001	0	COLLAR FR FENDER	COLLAR FR FENDER	4	
	90302	90302-GBR2-001	1	BOLT WASH 5*16	BOLT WASH 5*16	4	
	91407	91407-SGA7-004	0	CLAMP 17 FUSE HOSE	CLAMP 17 FUSE HOSE	2	
#	93500	93500-05016-0H	0	SCREW PAN 5*16	SCREW PAN 5*16	2	
#	94050	94050-06080	0	NUT FLANGE 6MM	NUT FLANGE 6MM	2	
	95002-02100	95002-02100	0	CLIP B15 TUBE	CLIP B15 TUBE	1	

F10

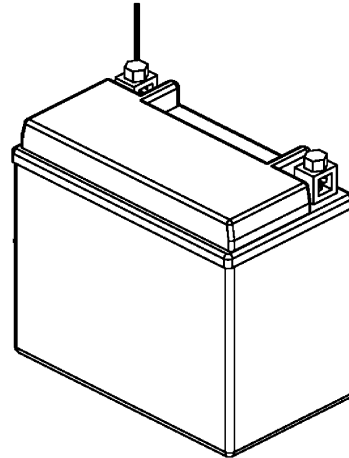
Fuel Tank



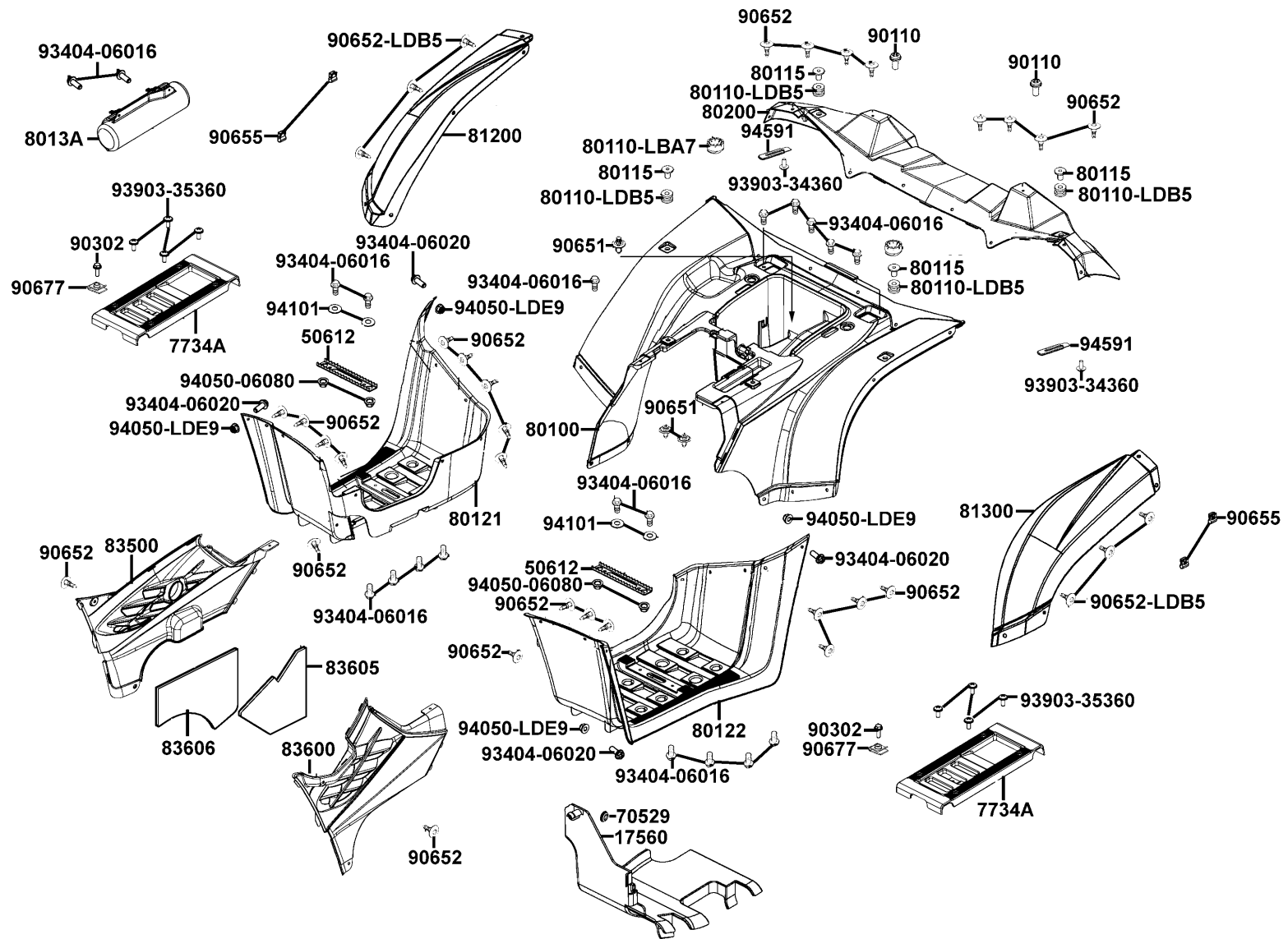
Sales mark	Ref no	Part no	Ver	Description	Reg description	Regd no	F10
	95002-02130	95002-02130	0	CLIP B 12.5 TURE	CLIP B 12.5 TURE	2	
	95002-70000	95002-70000	0	CLIP C11 TUBE	CLIP C11 TUBE	1	
	95701-06012	95701-06012-06	1	BOLT FLANGE 6*12	BOLT FLANGE 6*12	2	
	95701-06022	95701-06022-06	1	BOLT FLANGE 6*22	BOLT FLANGE 6*22	2	



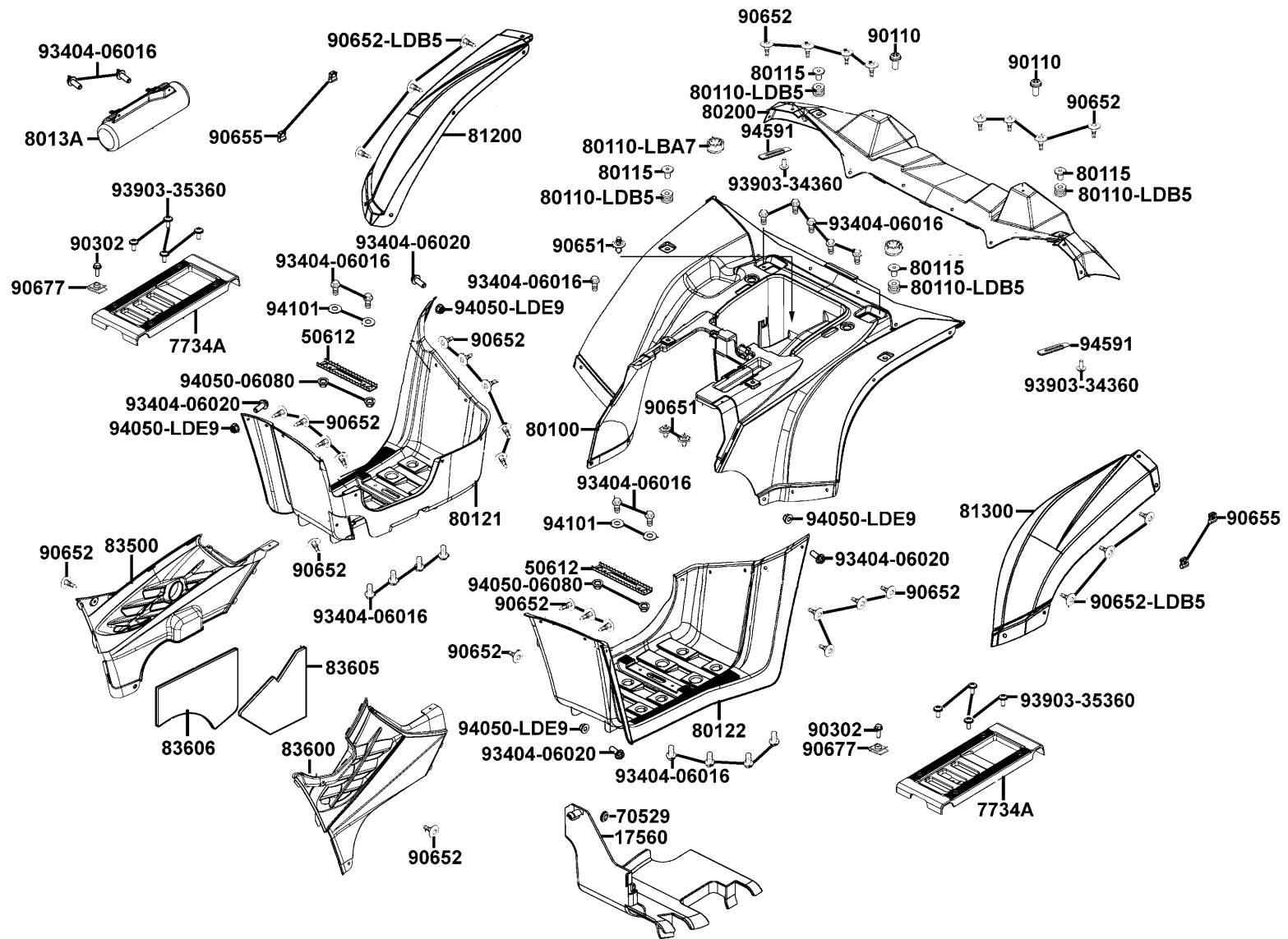
31500-LDB5-E0A
31500-LDB5-E0B



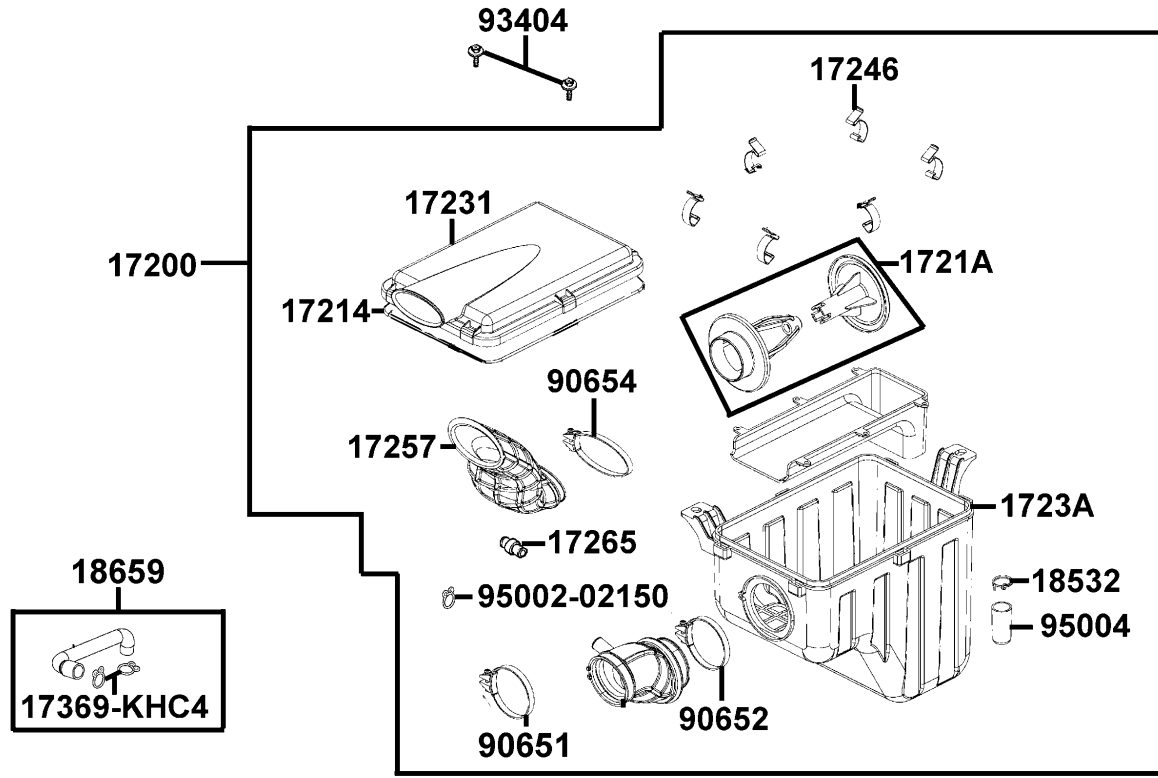
Sales mark	Ref no	Part no	Ver	Description	Reg description	Regd no	F11
	31500-LDB5-E0A	31500-LDB5-E0A	2	BATTERY YTX20L-BS	BATTERY YTX20L-BS	1	
	31500-LDB5-E0B	31500-LDB5-E0B	2	BATTERY GTX20L-BS	BATTERY GTX20L-BS	1	
	95012	95012-KKA7-900	1	TOOL BAND	TOOL BAND	1	



Sales mark	Ref no	Part no	Ver	Description	Reg description	Regd no	F12
**	17560	17560-LDB5-600	1	PLATE HEAT INSULATION	PLATE HEAT INSULATION	1	
	50612	50612-LDB5-E00	4	RNFCT FLOOR	RNFCT FLOOR	2	
	70529	70529-6G57-671	0	GROM B SIDE PNL	GROM B SIDE PNL	1	
**	7734A	7734A-LDB5-E00	2	COVER ASSY CARRIER	COVER ASSY CARRIER	2	
**	80100	80100-LDB5-E00	5	FENDER REAR	FENDER REAR	1	
	80110-LBA7	80110-LBA7-900	1	RUBBER REAR FENDER	RUBBER REAR FENDER	2	
	80110-LDB5	80110-LDB5-900	1	RUBBER FENDER	RUBBER FENDER	4	
	80115	80115-LDB5-900	1	COLLAR FENDER	COLLAR FENDER	4	
**	80121	80121-LDB5-E00	5	MUDGUARD R FLOOR	MUDGUARD R FLOOR	1	
**	80122	80122-LDB5-E00	5	MUDGUARD L FLOOR	MUDGUARD L FLOOR	1	
	8013A	8013A-LFE9-E00	1	BOX ASSY TOOL	BOX ASSY TOOL	1	
**	80200	80200-LDB5-E00	2	MUDGUARD REAR	MUDGUARD REAR	1	
**	81200	81200-LDB5-E00	2	MUDGUARD R RR SIDE	MUDGUARD R RR SIDE	1	
**	81300	81300-LDB5-E00	2	MUDGUARD L RR SIDE	MUDGUARD L RR SIDE	1	
**	83500	83500-LDB5-E00	2	COVER R SIDE	COVER R SIDE	1	
**	83600	83600-LDB5-E00	2	COVER L SIDE	COVER L SIDE	1	
	83605	83605-LDB5-E00	1	HEAT GUARD L SIDE COVER	HEAT GUARD L SIDE COVER	1	
	83606	83606-LDB5-E00	1	HEAT GUARD L SIDE COVER	HEAT GUARD L SIDE COVER	1	
	90110	90110-PWB1-900	1	SCREW SPECIAL 6X20	SCREW SPECIAL 6X20	2	
	90302	90302-PWA1-900	2	BOLT-WASH 5*16	BOLT-WASH 5*16	2	



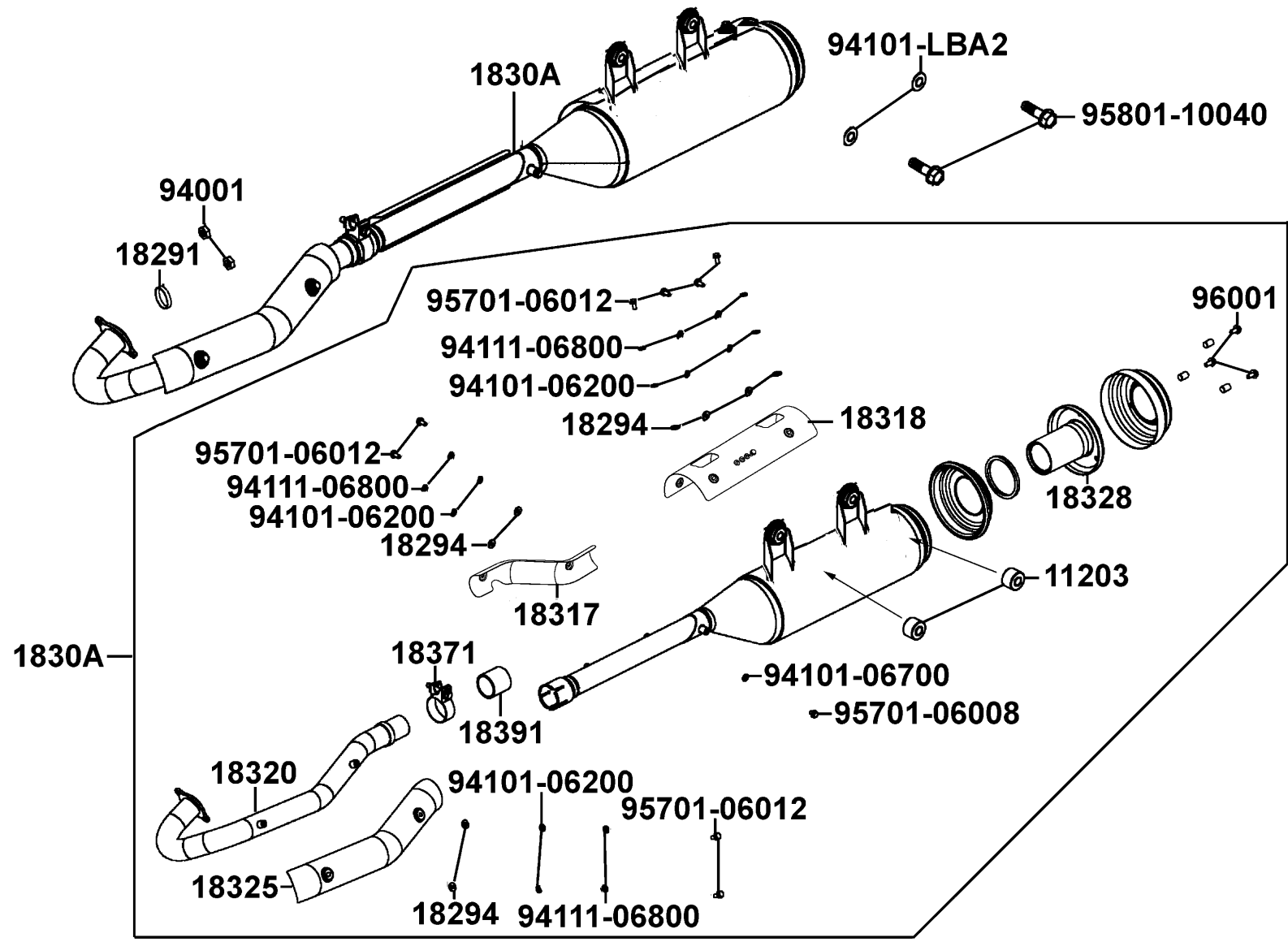
Sales mark	Ref no	Part no	Ver	Description	Reg description	Regd no	F12
	90651	90651-LCA5-E00	1	CLIP FENDER	CLIP FENDER	3	
	90652-LCA4	90652-LCA4-E00	1	CLIP MUDGUARD	CLIP MUDGUARD	16	
	90652-LDB5	90652-LDB5-900	2	CLIP MUDGUARD	CLIP MUDGUARD	6	
	90655	90655-PWA2-900	1	CLIP FENDER MOUNTING	CLIP FENDER MOUNTING	4	
	90677	90677-GAR1-004	1	NUT CLIP 5MM	NUT CLIP 5MM	2	
#	93404-06016	93404-06016-06	0	BOLT WASHER 6*16	BOLT WASHER 6*16	19	
	93404-06020	93404-06020-06	1	BOLT WASH 6*20	BOLT WASH 6*20	4	
#	93903-34360	93903-34360	0	SCREW TAPPING 4*12	SCREW TAPPING 4*12	2	
	93903-35360	93903-35360	0	SCREW TAPPING 5*16	SCREW TAPPING 5*16	8	
#	94050-06080	94050-06080	0	NUT FLANGE 6MM	NUT FLANGE 6MM	4	
	94050-LDE9	94050-LDE9-E00	1	NUT LOCK	NUT LOCK	4	
	94101	94101-06800	0	WASHER PLAIN 6MM	WASHER PLAIN 6MM	4	
#	94591	94591-27000	0	CLIP 2*70	CLIP 2*70	2	



Sales mark	Ref no	Part no	Ver	Description	Reg description	Regd no	F13
	17200	17200-LFE9-E00	1	AIR/C ASSY	AIR/C ASSY	1	
	17214	17214-LDB5-E00	2	SEAL AIR/C CASE	SEAL AIR/C CASE	1	
	1721A	1721A-LDB5-E00	2	ELEMENT COMP AIR/C	ELEMENT COMP AIR/C	1	
	17231	17231-LDB5-E00	0	COVER ASSY AIR/C	COVER ASSY AIR/C	1	
	1723A	1723A-LFE9-E00	0	CASE ASSY AIR/C	CASE ASSY AIR/C	1	
	17246	17246-LBA7-900	2	CLAMP AIR/C	CLAMP AIR/C	6	
	17257	17257-LDB5-E00	3	DUCT A AIR/C CASE	DUCT A AIR/C CASE	1	
	17265	17265-LBA7-900	1	JOINT BLOW BY	JOINT BLOW BY	1	
	17369	17369-KHC4-900	0	CLIP BREATHER TUBE	CLIP BREATHER TUBE	4	
	18532	18532-6D34-671	0	CLIP AIR HOSE 21.5	CLIP AIR HOSE 21.5	1	
	18659	18659-LDB5-E00	0	TUBE A OIL CATCH	TUBE A OIL CATCH	1	
#	90651	90651-LEE8-E00	0	BAND 66	BAND 66	1	
	90652	90652-LLJ3-E00	0	BAND CONNECTING TUBE	BAND CONNECTING TUBE	1	
	90654	90654-LDB5-E00	2	BAND 81 REAR CVT DUCT	BAND 81 REAR CVT DUCT	1	
	93404	93404-06012-06	0	BOLT WASH 6*12	BOLT WASH 6*12	2	
	95002	95002-02150	0	CLIP B14.5 TUBE	CLIP B14.5 TUBE	1	
	95004	95004-LBA7-900	0	TUBE DRAIN	TUBE DRAIN	1	

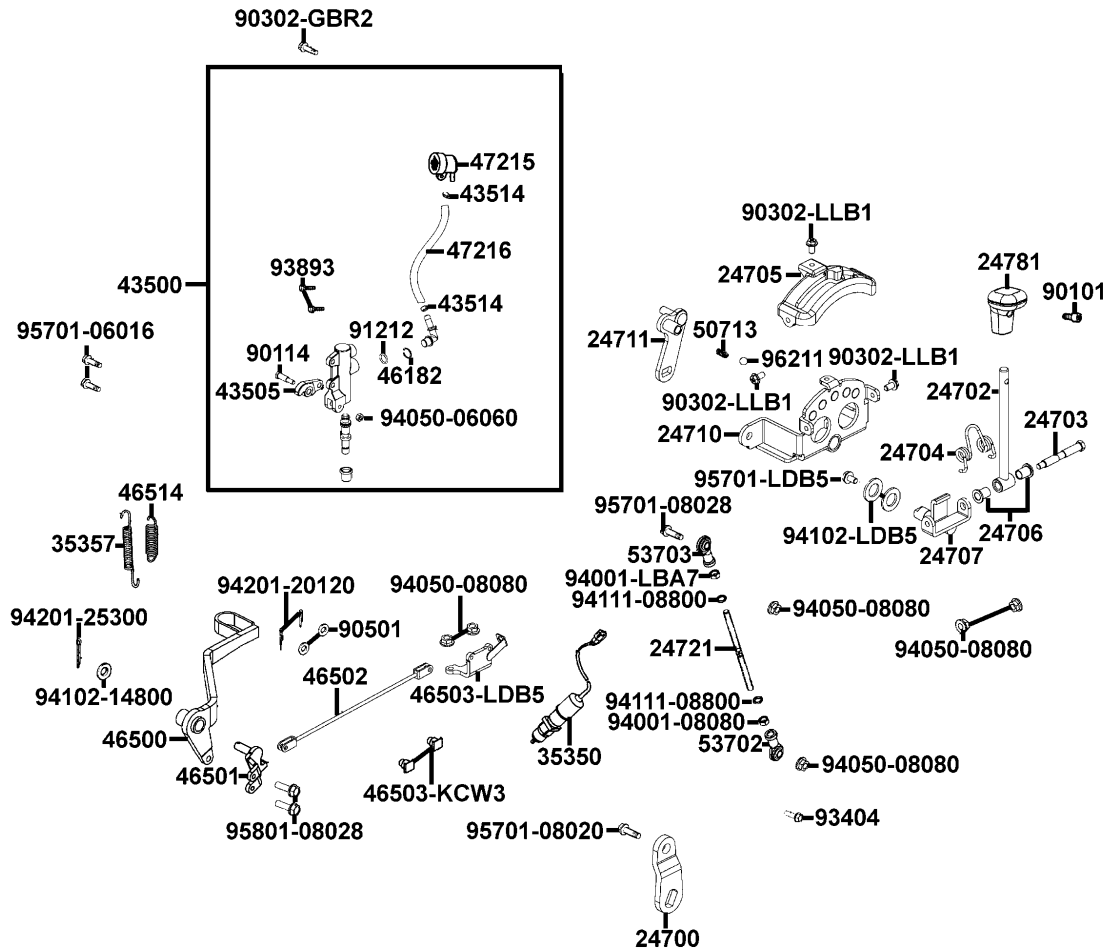
F14

Exhaust Muffler



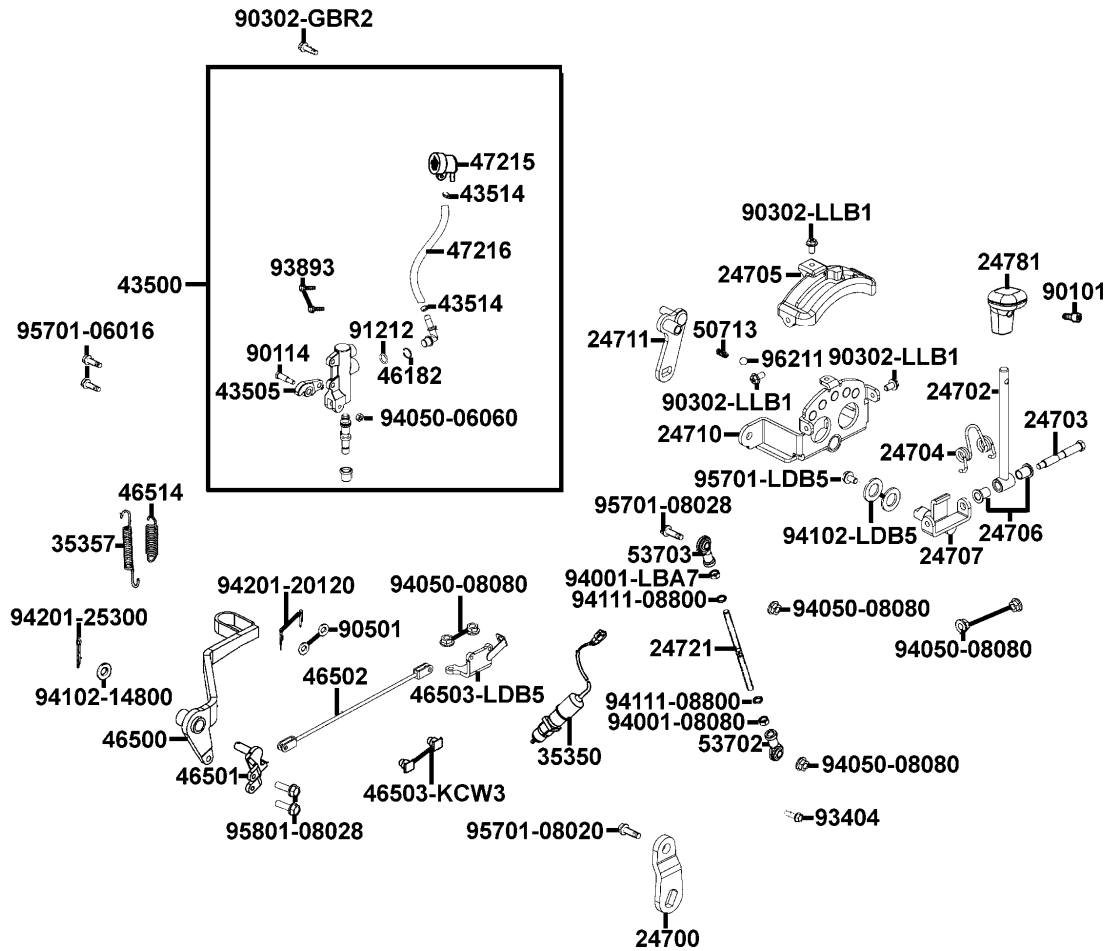
Sales mark	Ref no	Part no	Ver	Description	Reg description	Regd no	F14
	11203	11203-LDB5-E00	3	BUSH MUFFLER STAY	BUSH MUFFLER STAY	2	
	18291	18291-LBA2-E00	3	GASKET EXH PIPE	GASKET EXH PIPE	1	
	18294	18294-KFLF-500	0	PACKING PROTECTOR	PACKING PROTECTOR	8	
	1830A	1830A-LFE9-E00	2	MUFFLER ASSY EXH	MUFFLER ASSY EXH	1	
	18317	18317-LFE9-E00	1	PROTECTOR A COMP MUFFLER	PROTECTOR A COMP MUFFLER	1	
	18318	18318-LFE9-E00	2	PROTECTOR B COMP MUFFLER	PROTECTOR B COMP MUFFLER	1	
	18320	18320-LDB5-E00	1	PIPE EXHAUST	PIPE EXHAUST	1	
	18325	18325-LDB5-E00	3	PROTECTOR PIPE EXHAUST	PROTECTOR PIPE EXHAUST	1	
	18328	18328-LDB5-E00	2	SPARK ARRESTOR	SPARK ARRESTOR	1	
	18371	18371-LBA2-E00	2	BAND MUFFLER	BAND MUFFLER	1	
	18391	18391-LBA2-E00	1	GASKET	GASKET	1	
	94001	94001-08080-0S	0	NUT HEX 8MM	NUT HEX 8MM	2	
	94101-06200	94101-06200	0	WASHER PLAIN 6MM	WASHER PLAIN 6MM	8	
	94101-06700	94101-06700	0	WASHER PLAIN 6MM	WASHER PLAIN 6MM	1	
	94101-LBA2	94101-LBA2-E00	1	WASHER PLATE 10.5*38*3.0	WASHER PLATE 10.5*38*3.0	2	
	94111	94111-06800	0	WASHER SPG 6MM	WASHER SPG 6MM	8	
	95701-06008	95701-06008-08	0	BOLT FLANGE 6*8	BOLT FLANGE 6*8	1	
	95701-06012	95701-06012-00	0	BOLT FLANGE 6*12	BOLT FLANGE 6*12	8	
	95801	95801-10040-08	0	BOLT FLANGE 10*40	BOLT FLANGE 10*40	2	
	96001	96001-06012-00	0	BOLT FLANGE SH 6*12	BOLT FLANGE SH 6*12	3	

Master Cylinder Rear



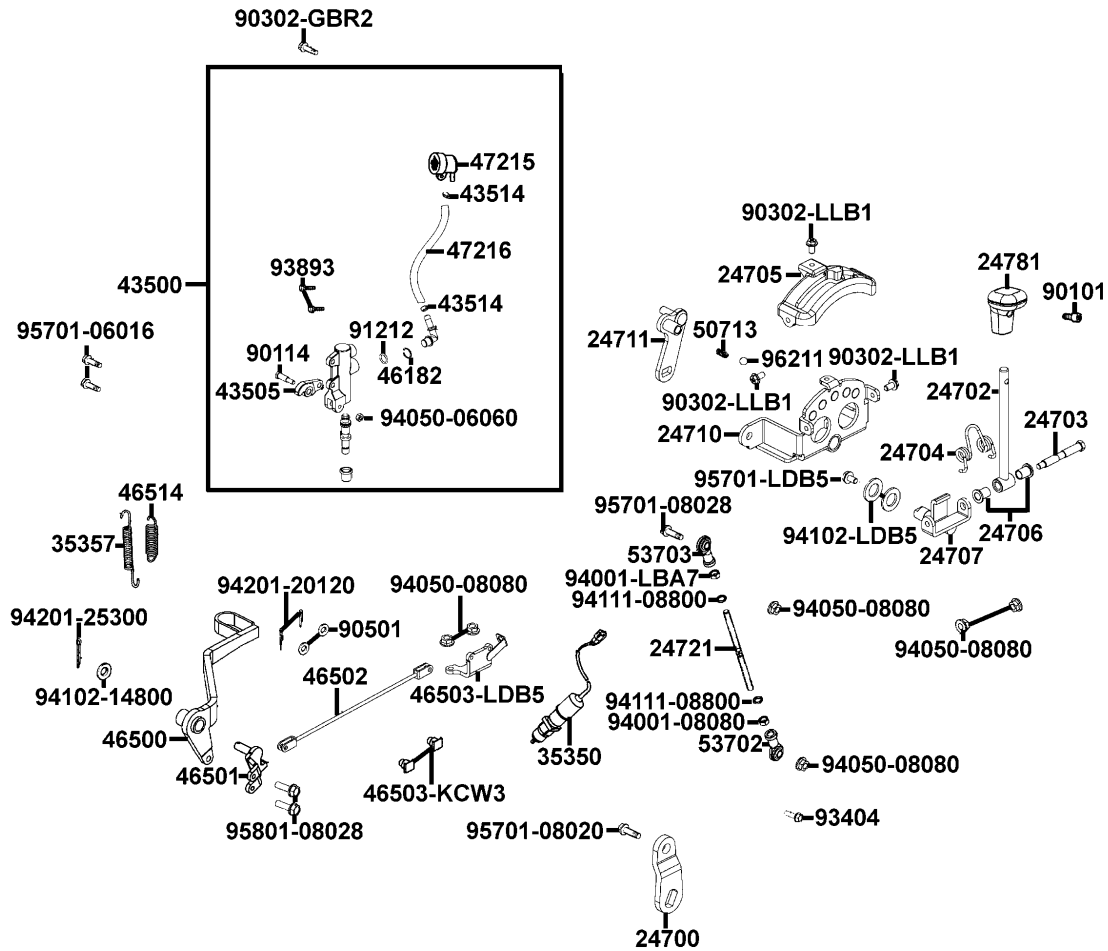
Sales mark	Ref no	Part no	Ver	Description	Reg description	Regd no	F15
	24700	24700-LDB5-E00	1	GEAR CHANGE HNDL LINK	GEAR CHANGE HNDL LINK	1	
	24702	24702-LDB5-E00	4	BAR SHIFT LEVER	BAR SHIFT LEVER	1	
	24703	24703-LDB5-E00	5	BOLT SHIFT LEVER	BOLT SHIFT LEVER	1	
	24704	24704-LBA7-900	4	SPRING CHANGE HANDLE	SPRING CHANGE HANDLE	1	
	24705	24705-LDB5-E00	3	STAY SHIFT LEVER GUIDE	STAY SHIFT LEVER GUIDE	1	
	24706	24706-LDB5-E00	1	COLLAR SHIFT LEVER	COLLAR SHIFT LEVER	2	
	24707	24707-LDB5-E00	6	BRKT SHIFT LEVER	BRKT SHIFT LEVER	1	
	24710	24710-LDB5-E00	2	STAY SHIFTER	STAY SHIFTER	1	
	24711	24711-LDB5-E00	3	SHAFT UPPER SHIFT GUIDE	SHAFT UPPER SHIFT GUIDE	1	
	24721	24721-LDB5-E00	1	ROD SHIFT	ROD SHIFT	1	
	24781	24781-LCA5-E00	2	COVER CHANGE HNDL	COVER CHANGE HNDL	1	
	35350	35350-PWA2-900	1	REAR STOP SW	REAR STOP SW	1	
	35357	35357-LDB5-E00	3	SPG STOP SW	SPG STOP SW	1	
	43500	43500-LFE9-E01	1	MASTER CYLINDER ASSY FOOT	MASTER CYLINDER ASSY FOOT	1	
	43505	43505-LDB5-E00	0	PUSH ROD COMP	PUSH ROD COMP	1	
	43514	43514-4E45-77A	0	CLAMP M/C OIL HOSE	CLAMP M/C OIL HOSE	2	
	46182	46182-5L00-014	2	CIR CLIP	CIR CLIP	1	
	46500	46500-LFE9-E00	1	PEDAL COMP RR BRAKE	PEDAL COMP RR BRAKE	1	
	46501	46501-LFE9-E00	0	BRKT BRAKE PEDAL	BRKT BRAKE PEDAL	1	
	46502	46502-LDB5-E00	2	ROD RR BRK	ROD RR BRK	1	

Master Cylinder Rear

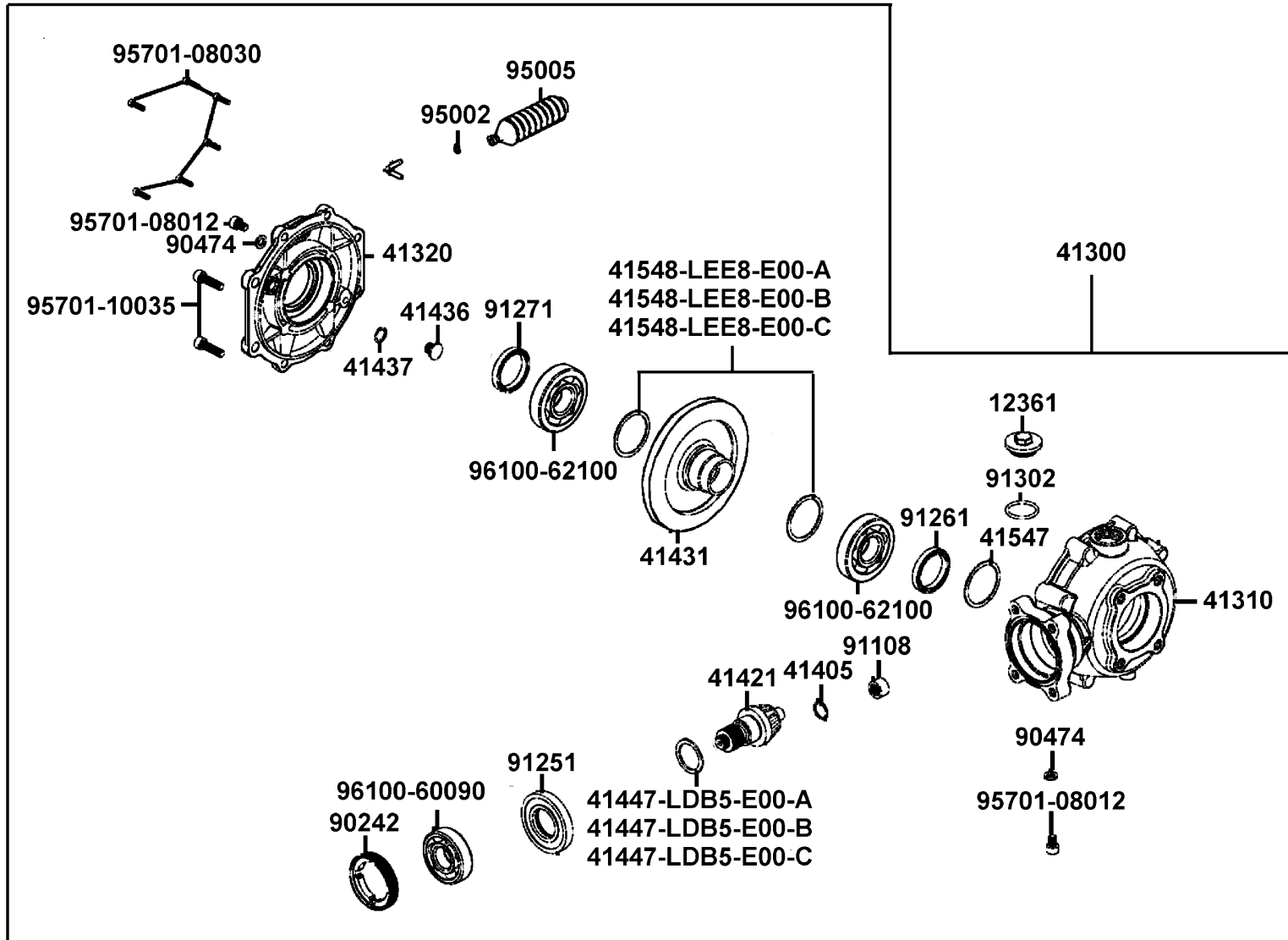


Sales mark	Ref no	Part no	Ver	Description	Reg description	Regd no	F15
	46503-KCW3	46503-KCW3-001	0	PIN COMP BRK ROD	PIN COMP BRK ROD	2	
	46503-LDB5	46503-LDB5-E00	2	BRKT RR M/C	BRKT RR M/C	1	
	46514	46514-LDB5-E00	2	SPG BRK ARM	SPG BRK ARM	1	
	47215	47215-KHD6-900	0	OIL CUP	OIL CUP	1	
	47216	47216-LFE9-900	0	HOSE	HOSE	1	
	50713	50713-LDB5-E00	1	SPRING	SPRING	1	
	53702	53702-LBA7-900	1	JOINT R BALL	JOINT R BALL	1	
	53703	53703-LBA7-900	1	JOINT L BALL	JOINT L BALL	1	
	90101	90101-LCA5-E00-06	2	SOCKET BOLT 5*12	SOCKET BOLT 5*12	1	
	90114	90114-1F66-007	2	BOLT HANDLE LEVER	BOLT HANDLE LEVER	1	
	90302-GBR2	90302-GBR2-001	1	BOLT WASH 5*16	BOLT WASH 5*16	1	
	90302-LLB1-E00	90302-LLB1-E00-06	2	BOLT-WASH 5*12	BOLT-WASH 5*12	3	
	90501	90501-3L10-001	0	WASHER 7*12	WASHER 7*12	2	
	91212	91212-4B22-007	0	O-RING 14.8*2.4	O-RING 14.8*2.4	1	
	93404	93404-06012-06	0	BOLT WASH 6*12	BOLT WASH 6*12	1	
	93893	93893-04012-18	0	SCREW WASHER 4*12	SCREW WASHER 4*12	2	
	94001-08080	94001-08080-0S	0	NUT HEX 8MM	NUT HEX 8MM	1	
	94001-LBA7	94001-LBA7-900	1	NUT HEX LH 8MM	NUT HEX LH 8MM	1	
	94050-06060	94050-06060	0	NUT FLANGE 6MM	NUT FLANGE 6MM	1	
	94050-08080	94050-08080	0	NUT FLANGE 8MM	NUT FLANGE 8MM	6	

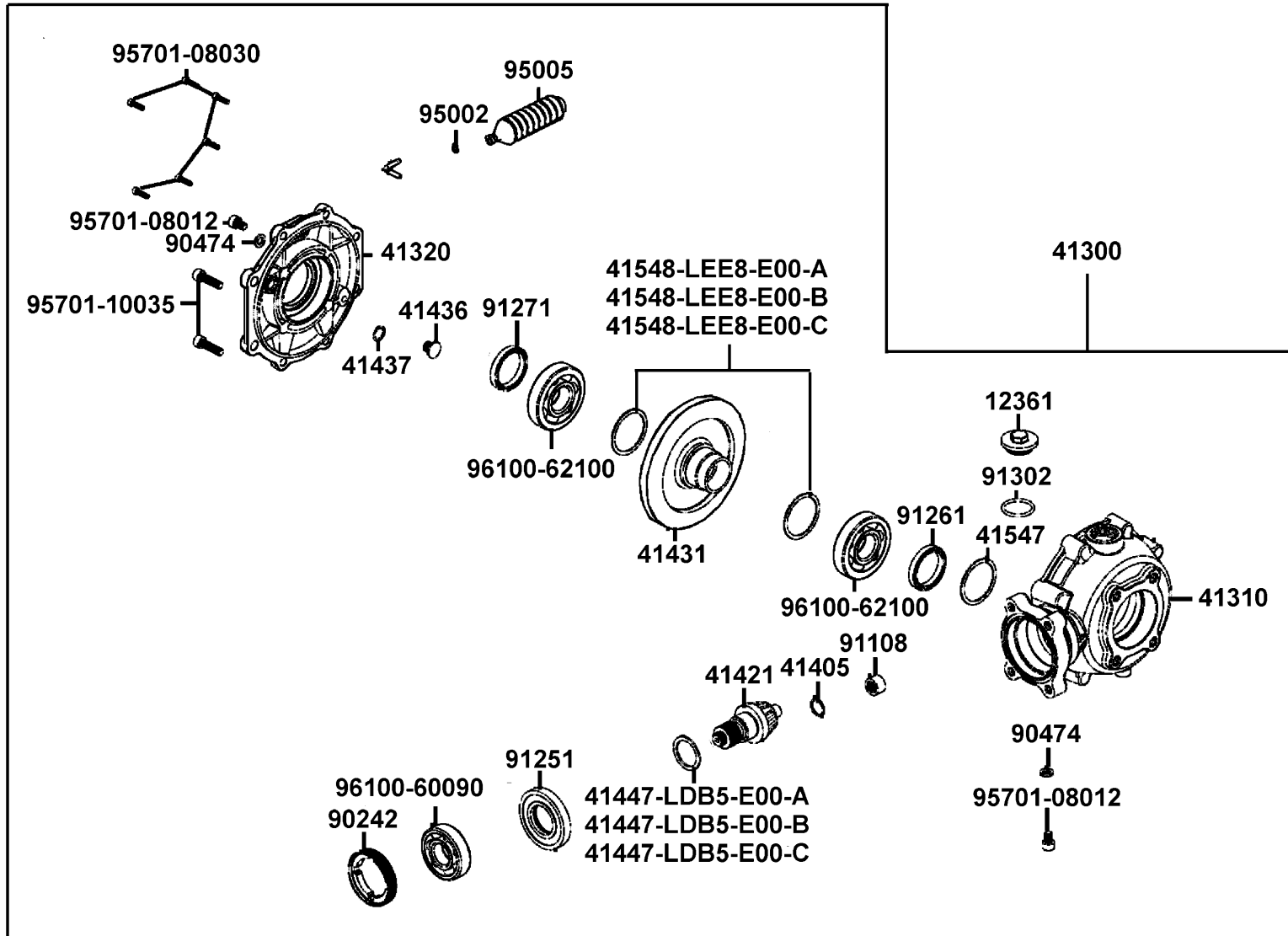
Master Cylinder Rear



Sales mark	Ref no	Part no	Ver	Description	Reg description	Regd no	F15
	94102	94102-14800	0	WASHER PLAIN 14*26*2.3	WASHER PLAIN 14*26*2.3	1	
	94102-LDB5	94102-LDB5-E00	1	WASHER PLAIN 14MM	WASHER PLAIN 14MM	2	
	94111	94111-08800	0	WASHER SPG 8MM	WASHER SPG 8MM	2	
	94201-20120	94201-20120	0	PIN SPLIT 2*12	PIN SPLIT 2*12	2	
	94201-25300	94201-25300	0	PIN SPLIT 2.5*30	PIN SPLIT 2.5*30	1	
	95701-06016	95701-06016-06	0	BOLT FLANGE 6*16	BOLT FLANGE 6*16	2	
	95701-08020	95701-08020-06	1	BOLT FLANGE 8*20	BOLT FLANGE 8*20	1	
	95701-08028	95701-08028-06	1	BOLT FLANGE 8*28	BOLT FLANGE 8*28	1	
	95701-LDB5	95701-LDB5-E00	1	BOLT FLANGE 6*16	BOLT FLANGE 6*16	1	
	95801	95801-08028-06	0	BOLT FLANGE 8*28	BOLT FLANGE 8*28	2	
	96211	96211-08000	0	BALL STEEL 8MM	BALL STEEL 8MM	1	



Sales mark	Ref no	Part no	Ver	Description	Reg description	Regd no	F16
	12361	12361-GFY6-901	1	HOLE CAP TAPPET ADJUSTING	HOLE CAP TAPPET ADJUSTING	1	
	41300	41300-LFE9-E00	2	GEAR ASSY RR FINAL	GEAR ASSY RR FINAL	1	
	41310	41310-LFE9-E00	0	L SIDE CASE RR FINAL	L SIDE CASE RR FINAL	1	
	41320	41320-LFE9-E00	0	R SIDE CASE RR FINAL	R SIDE CASE RR FINAL	1	
	41405	41405-LEE8-E00	2	RING STOPPER	RING STOPPER	1	
	41421	41421-LEE8-E00	3	GEAR PINION	GEAR PINION	1	
	41431	41431-LEE8-E00	3	GEAR RING	GEAR RING	1	
	41436	41436-LCD9-E00	2	PIN RING GEAR STOPPER	PIN RING GEAR STOPPER	1	
	41437	41437-LCD9-E00	2	SHIM STOPPER PIN	SHIM STOPPER PIN	1	
	41447-LDB5-E00-A	41447-LDB5-E00-A	2	SHIM PINION GEAR A	SHIM PINION GEAR A	1	
	41447-LDB5-E00-B	41447-LDB5-E00-B	2	SHIM PINION GEAR B	SHIM PINION GEAR B	1	
	41447-LDB5-E00-C	41447-LDB5-E00-C	2	SHIM PINION GEAR C	SHIM PINION GEAR C	1	
	41547	41547-LEE8-E00	2	SHIM A RING GEAR	SHIM A RING GEAR	1	
	41548-LEE8-E00-A	41548-LEE8-E00-A	2	SHIM B RING GEAR	SHIM B RING GEAR	2	
	41548-LEE8-E00-B	41548-LEE8-E00-B	2	SHIM B RING GEAR	SHIM B RING GEAR	2	
	41548-LEE8-E00-C	41548-LEE8-E00-C	2	SHIM B RING GEAR	SHIM B RING GEAR	2	
	90242	90242-LDB5-E00	2	NUT LOCK 74MM	NUT LOCK 74MM	1	
#	90474	90474-3C33-001	1	WASHER 8MM	WASHER 8MM	2	
	91108	91108-LEE8-E00	1	BRG NEEDLE 20*22*28 (HK2220)	BRG NEEDLE 20*22*28 (HK2220)	1	
	91251	91251-LEE8-E00	3	OIL SEAL 38.5*80*10	OIL SEAL 38.5*80*10	1	



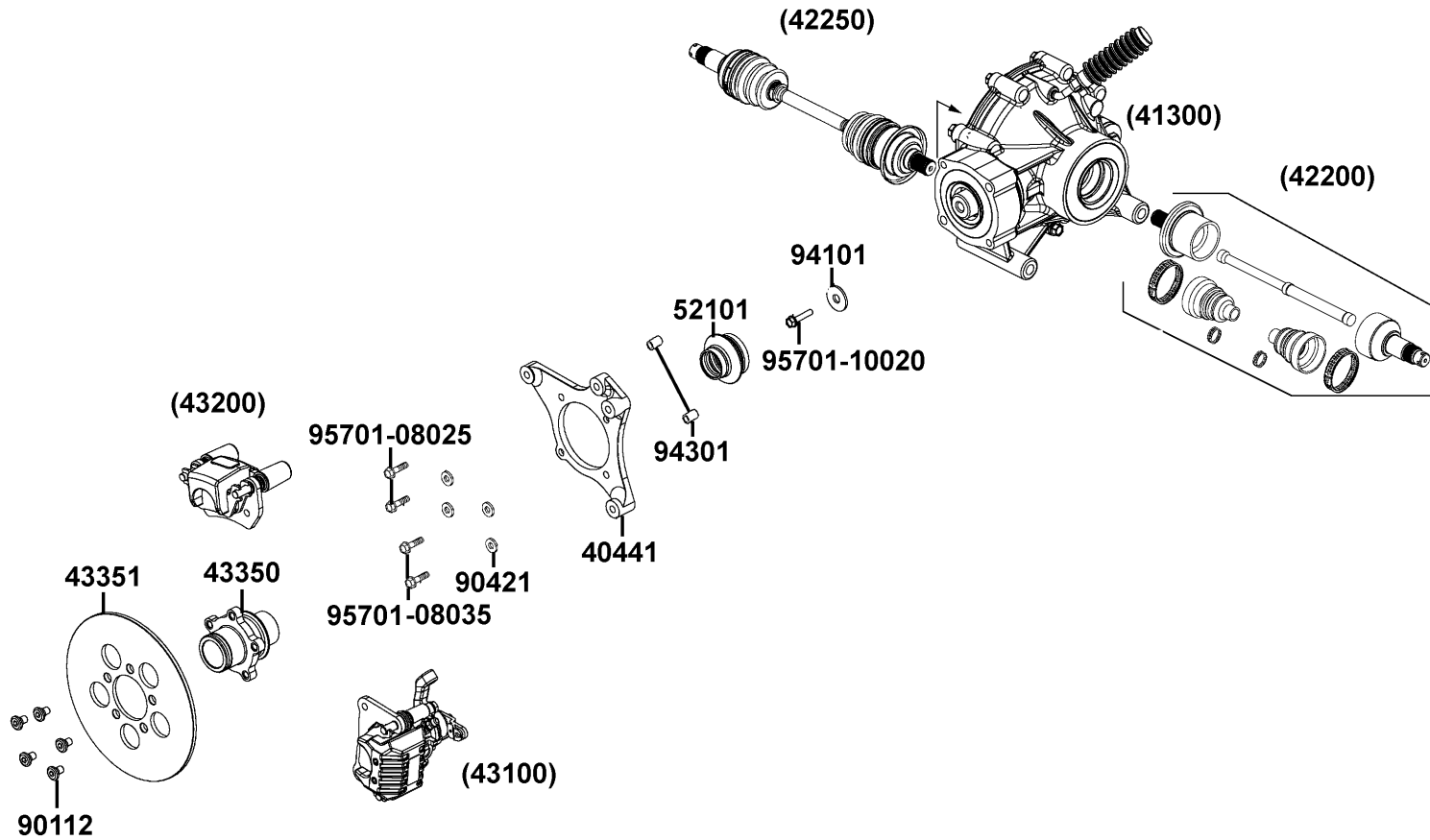
Sales mark	Ref no	Part no	Ver	Description	Reg description	Regd no	F16
	91261	91261-LEE8-E00	3	OIL SEAL 48*92*10	OIL SEAL 48*92*10	1	
	91271	91271-LEE8-E00	3	OIL SEAL 47*68*10	OIL SEAL 47*68*10	1	
	91302	91302-0A01-021	0	O-RING 30.8M/M	O-RING 30.8M/M	1	
	95002	95002-41050-00	0	CLIP D10.5 TUBE	CLIP D10.5 TUBE	1	
	95005	95005-PWB1-900	1	BREATH TUBE RR GEAR ASSY	BREATH TUBE RR GEAR ASSY	1	
#	95701-08012	95701-08012-08	0	BOLT FLANGE 8*12	BOLT FLANGE 8*12	2	
	95701-08030	95701-08030-08	0	BOLT FLANGE 8*30	BOLT FLANGE 8*30	6	
	95701-10035	95701-10035-08	0	BOLT FLANGE 10*35	BOLT FLANGE 10*35	2	
	96100-60090	96100-60090-00	2	BRG RADIAL BALL 6009	BRG RADIAL BALL 6009	1	
	96100-62100	96100-62100-00	0	BEARING BALL RADIAL 6210	BEARING BALL RADIAL 6210	2	

Sales mark	Ref no	Part no	Ver	Description	Reg description	Regd no	F17
		47452-PWB1-900	2	BUSHING RR SUSPENSION	BUSHING RR SUSPENSION	8	
		47453-PWB1-900	2	COLLAR SUSPENSION	COLLAR SUSPENSION	4	
47550		47550-PWB1-900	4	KNUCKLE REAR ASSEMBLY LH	KNUCKLE REAR ASSEMBLY LH	2	
52103		52103-PWB1-900	2	SLEEVE SUSPENSION	SLEEVE SUSPENSION	2	
52104		52104-PWB1-900	2	SLEEVE SUSPENSION	SLEEVE SUSPENSION	2	
		52108	3	BUSHING SUSPENSION	BUSHING SUSPENSION	12	
		52144	2	SEAL SUSPENSION	SEAL SUSPENSION	12	
**	52400	52400-LFE9-E00	3	CUSHION ASSY RR	CUSHION ASSY RR	2	
**	54400	54400-LFE9-E00	0	CONTROL ARM ASSY LOWER RH	CONTROL ARM ASSY LOWER RH	1	
**	54450	54450-LFE9-E00	2	CONTROL ARM ASSY LOWER RH	CONTROL ARM ASSY LOWER RH	1	
**	54500	54500-LFE9-E00	0	CONTROL ARM ASSY UPPER LH	CONTROL ARM ASSY UPPER LH	1	
**	54550	54550-LFE9-E00	2	CONTROL ARM ASSY LOWER LH	CONTROL ARM ASSY LOWER LH	1	
		54600	1	BAR STABILIZER	BAR STABILIZER	1	
		54601	0	BUSH STABILIZER	BUSH STABILIZER	2	
		54602	0	HOLDER STABILIZER	HOLDER STABILIZER	2	
		54610	0	JOINT STABILIZER RH	JOINT STABILIZER RH	1	
		54620	0	STABILIZER JOINT LH	STABILIZER JOINT LH	1	
#	90304	90304-GHE8-004	0	NUT U 10MM	NUT U 10MM	18	
		94520-55000	0	CIR CLIP IN 55	CIR CLIP IN 55	2	
	95701	95701-08016-06	0	BOLT FLANGE 8*16	BOLT FLANGE 8*16	4	

Sales mark	Ref no	Part no	Ver	Description	Reg description	Regd no	F17
	95801-10040	95801-10040-08	0	BOLT FLANGE 10*40	BOLT FLANGE 10*40	2	
	95801-10065	95801-10065-08	0	BOLT FLANGE 10X65(C)	BOLT FLANGE 10X65(C)	2	
	95801-10085	95801-10085-06	1	BOLT FLANGE 10*85	BOLT FLANGE 10*85	4	
	95801-10095	95801-10095-06	0	BOLT FLANGE 10*95	BOLT FLANGE 10*95	4	
	95802	95802-PWB1-900	2	SCREW CAP-HFH M10x1.25	SCREW CAP-HFH M10x1.25	2	
		96151-PWB1-900	2	BEARING WHEEL	BEARING WHEEL	2	

F18

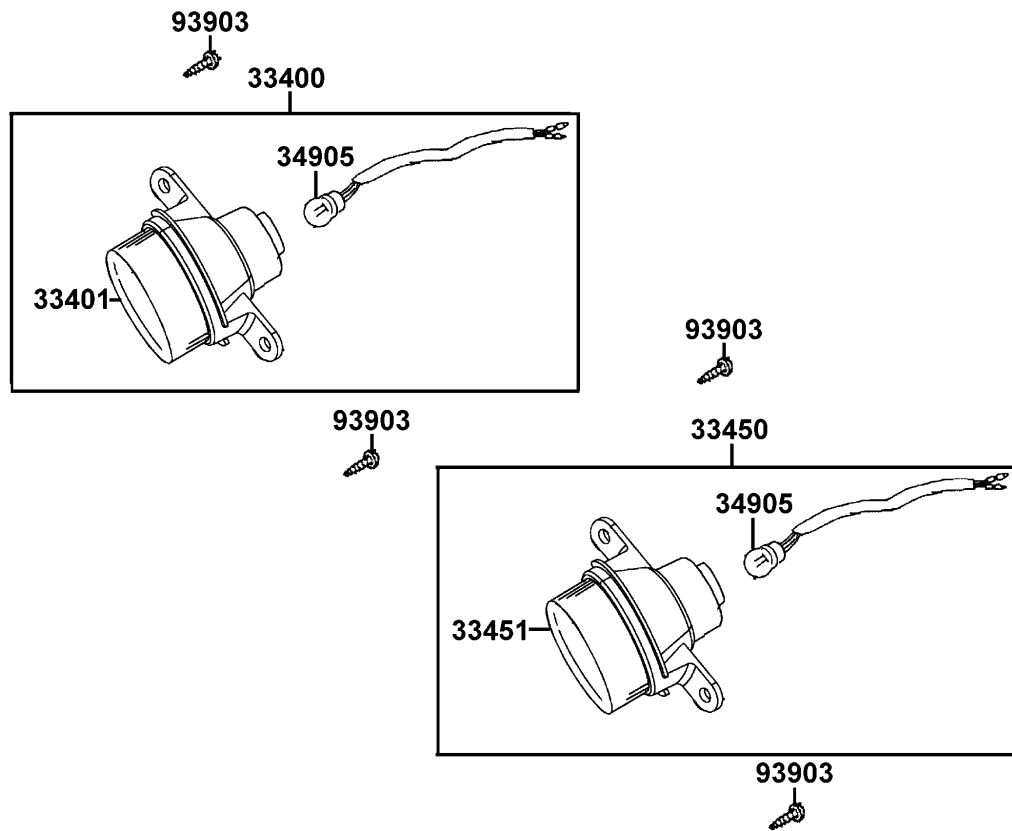
Disk Assy Rr Brk



Sales mark	Ref no	Part no	Ver	Description	Reg description	Regd no	F18
40441		40441-LFE9-E00	3	BRACKET CALIPER	BRACKET CALIPER	1	
43350		43350-LFE9-E00	1	HOLDER DISK RR BRK	HOLDER DISK RR BRK	1	
43351		43351-LEE8-E00	4	DISK RR BRK	DISK RR BRK	1	
52101		52101-LFE9-E00	0	BOOT RR PROPELLER SHAFT	BOOT RR PROPELLER SHAFT	1	
90112		90112-LBD4-800	1	BOLT DISK	BOLT DISK	5	
90421		90421-KAM1-004	0	WASHER SEALING 8*16*1.6	WASHER SEALING 8*16*1.6	4	
94101		94101-10800	0	WASHER PLAIN 10MM	WASHER PLAIN 10MM	1	
94301		94301-10120	0	DOWEL PIN 10*12	DOWEL PIN 10*12	2	
95701-08025		95701-08025-06	0	BOLT FLANGE 8*25	BOLT FLANGE 8*25	2	
95701-08035		95701-08035-06	1	BOLT FLANGE 8*28	BOLT FLANGE 8*28	2	
95701-10020		95701-10020-06	0	BOLT FLANGE 10*20	BOLT FLANGE 10*20	1	

F19

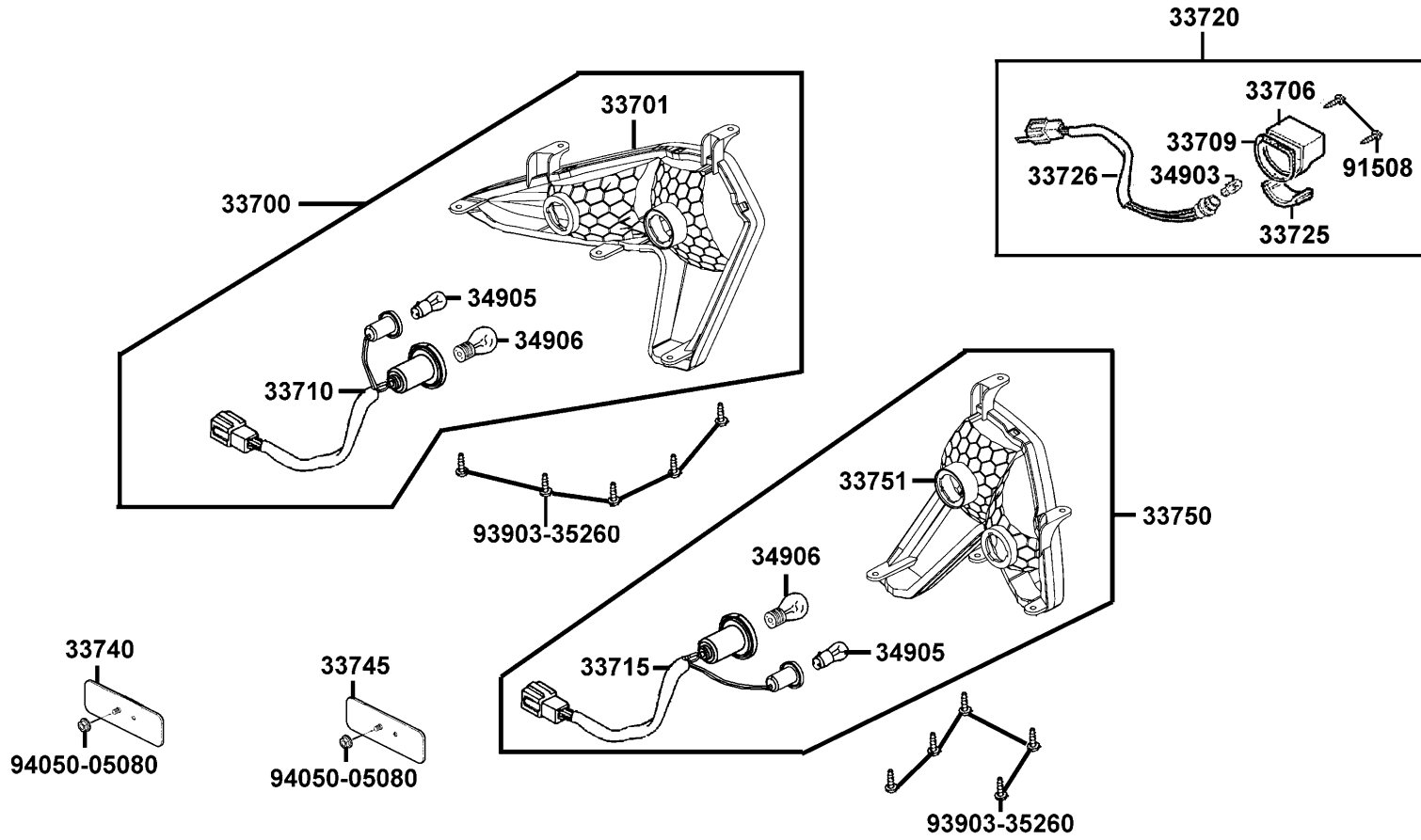
Winker



Sales mark	Ref no	Part no	Ver	Description	Reg description	Regd no	F19
	33400	33400-LCA5-E00	2	WINKER ASSY R FR	WINKER ASSY R FR	1	
	33401	33401-LCA5-E00	0	UNIT WINKER R FR	UNIT WINKER R FR	1	
	33450	33450-LCA5-E00	2	WINKER ASSY L FR	WINKER ASSY L FR	1	
	33451	33451-LCA5-E00	0	UNIT WINKER L FR	UNIT WINKER L FR	1	
	34905	34905-LBA7-E00	0	BULB WINKER 12V10W	BULB WINKER 12V10W	2	
	93903	93903-35360	0	SCREW TAPPING 5*16	SCREW TAPPING 5*16	4	

F20

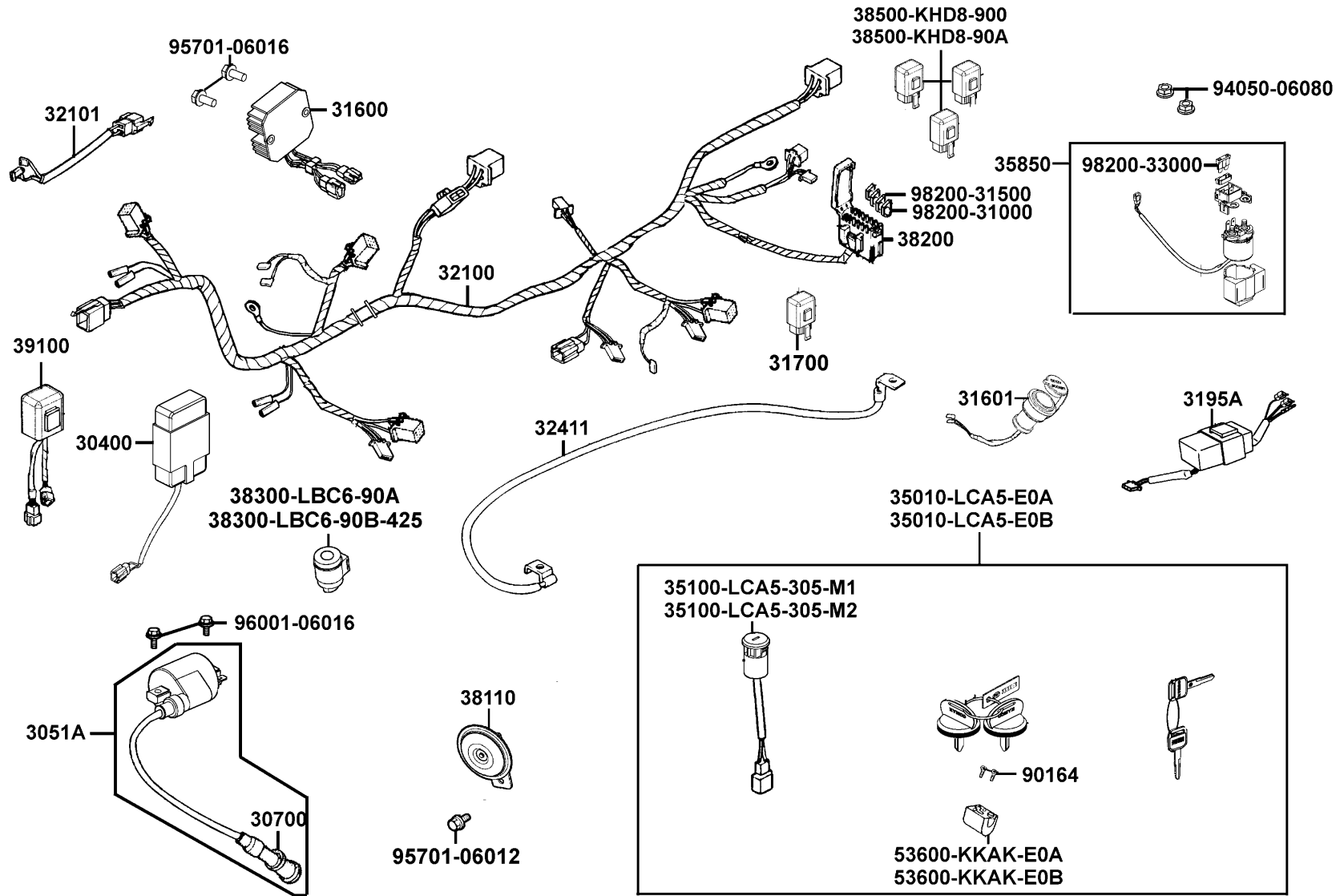
Light Tail



Sales mark	Ref no	Part no	Ver	Description	Reg description	Regd no	F20
	33700	33700-LCA5-E00	4	LIGHT ASSY R RR COMB	LIGHT ASSY R RR COMB	1	
	33701	33701-LCA5-E00	0	UNIT TAIL LIGHT R	UNIT TAIL LIGHT R	1	
	33706	33706-GCN3-67A	0	COVER LICENSE	COVER LICENSE	1	
	33709	33709-KBAB-003	0	PACKING LICENSE	PACKING LICENSE	1	
	33710	33710-LCA5-E00	0	SOCKET COMP R RR COMB	SOCKET COMP R RR COMB	1	
	33715	33715-LCA5-E00	0	SOCKET COMP L RR COMB	SOCKET COMP L RR COMB	1	
	33720	33720-LCA5-E00	1	LIGHT ASSY LICENSE	LIGHT ASSY LICENSE	1	
	33725	33725-KHB4-E00	0	LENS LICENSE	LENS LICENSE	1	
	33726	33726-LCA5-E00	0	SOCKET COMP	SOCKET COMP	1	
	33740	33740-LCA5-E00	1	REFLECTOR ASSY R RR	REFLECTOR ASSY R RR	1	
	33745	33745-LCA5-E00	1	REFLECTOR ASSY L RR	REFLECTOR ASSY L RR	1	
	33750	33750-LCA5-E00	4	LIGHT ASSY L RR COMB	LIGHT ASSY L RR COMB	1	
	33751	33751-LCA5-E00	0	UNIT TAIL LIGHT L	UNIT TAIL LIGHT L	1	
	34903	34903-KPCP-900	0	BULB POSITION	BULB POSITION	1	
	34905	34905-LCA5-E00	0	BULB WINKER 12C5W	BULB WINKER 12C5W	2	
	34906	34906-KPCP-900	0	BULB TAIL & STOP 12V21W/5W	BULB TAIL & STOP 12V21W/5W	2	
	91508	91508-KGV7-67A	0	SCREW TAPPING 4*14	SCREW TAPPING 4*14	2	
	93903	93903-35260	0	SCREW TAPPING 5*12	SCREW TAPPING 5*12	10	
#	94050	94050-05080	0	NUT FLANGE 5MM	NUT FLANGE 5MM	2	

F21

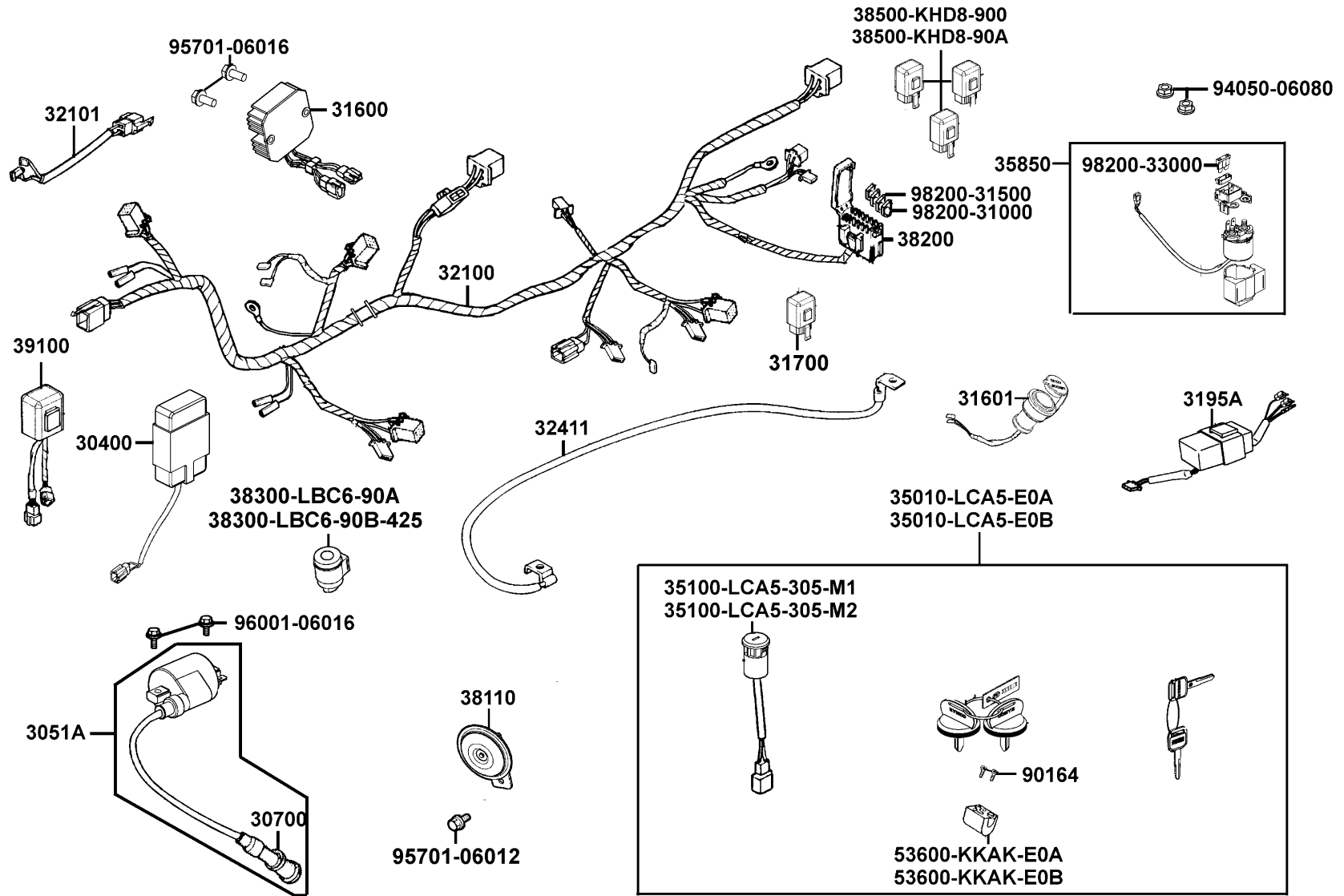
Harness Wire



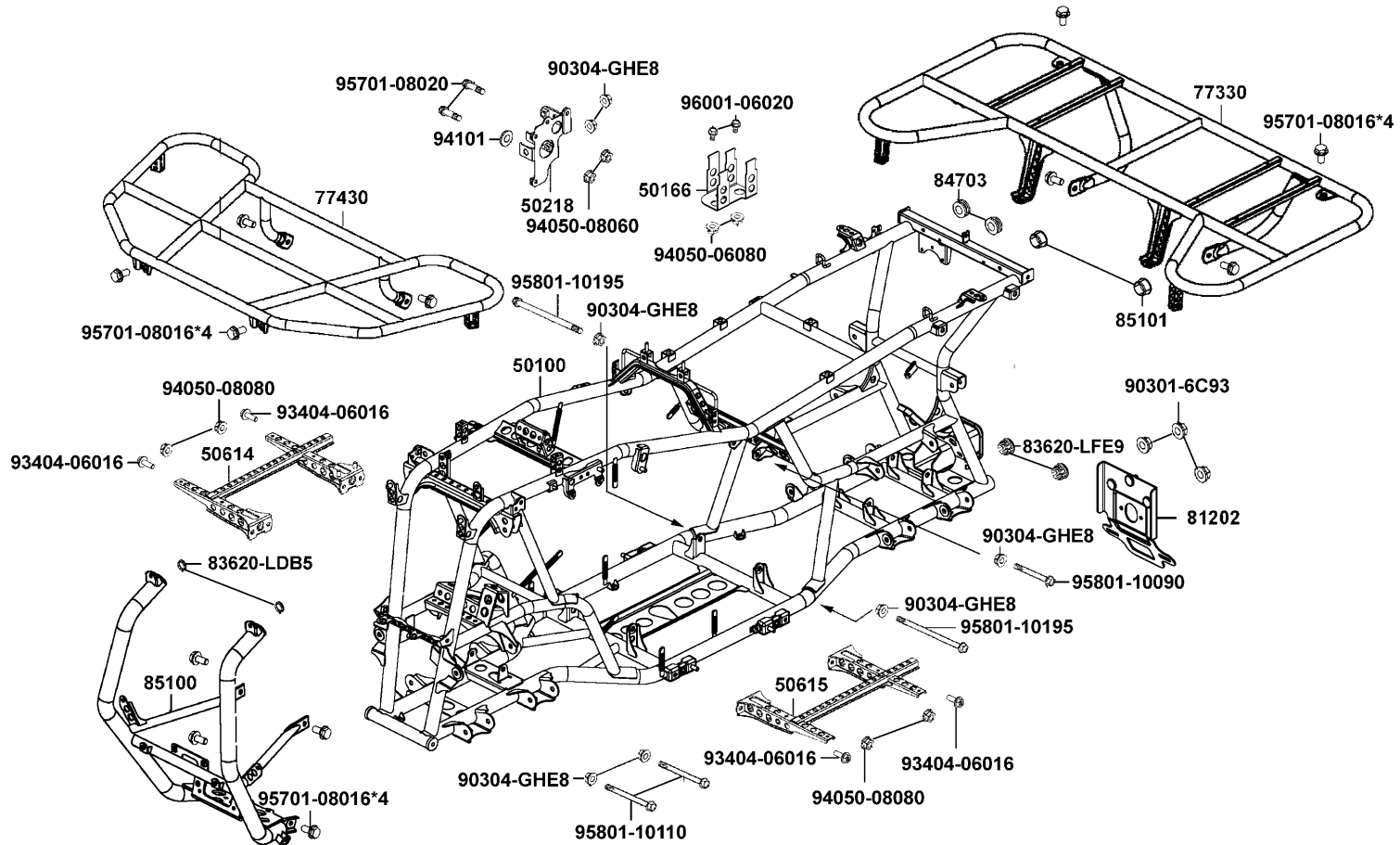
Sales mark	Ref no	Part no	Ver	Description	Reg description	Regd no	F21
	30400	30400-LFE9-E00	1	UNIT ASSY IGNITION	UNIT ASSY IGNITION	1	
	3051A	3051A-LDB5-E00	3	COIL ASSY IGNITION	COIL ASSY IGNITION	1	
	30700	30700-LDB5-E00	2	CAP ASSY NOISE SUPPRESOR	CAP ASSY NOISE SUPPRESOR	1	
	31600	31600-LDB5-E00	5	REG REC COMP	REG REC COMP	1	
	31601	31601-LDB5-E00	4	SOCKET COMP DC 12V	SOCKET COMP DC 12V	1	
	31700	31700-KEC8-E00	1	RECTIFIER COMP DIODE	RECTIFIER COMP DIODE	1	
	3195A	3195A-LBA7-E00	1	HAZARD CONTROL ASSY	HAZARD CONTROL ASSY	1	
	32100	32100-LFE9-E00	3	HARNES WIRE	HARNES WIRE	1	
	32101	32101-LLB1-800	1	SUB CORD	SUB CORD	0	
	32411	32411-LDB5-E00	2	CABLE BAT	CABLE BAT	1	
	35010-LCA5-E0A	35010-LCA5-E0A	0	KEY SET	KEY SET	1	
	35010-LCA5-E0B	35010-LCA5-E0B	0	KEY SET	KEY SET	1	
	35100-LCA5-305-	35100-LCA5-305-M1	0	SW ASSY COMB	SW ASSY COMB	1	
	35100-LCA5-305-	35100-LCA5-305-M2	0	SW ASSY COMB	SW ASSY COMB	1	
	35850	35850-LDB5-E00	1	SET START MAG	SET START MAG	1	
	38110	38110-LDB5-E00	1	HORN COMP	HORN COMP	1	
	38200	38200-KEBE-900	0	BOX COMP FUSE	BOX COMP FUSE	1	
	38300-LBC6-90A	38300-LBC6-90A	2	RELAY COMP WINKER	RELAY COMP WINKER	1	
	38500-KHD8-900	38500-KHD8-900	0	RELAY ASSY LIGHT	RELAY ASSY LIGHT	3	
	38500-KHD8-90A	38500-KHD8-90A	0	RELAY ASSY LIGHT	RELAY ASSY LIGHT	1	

F21

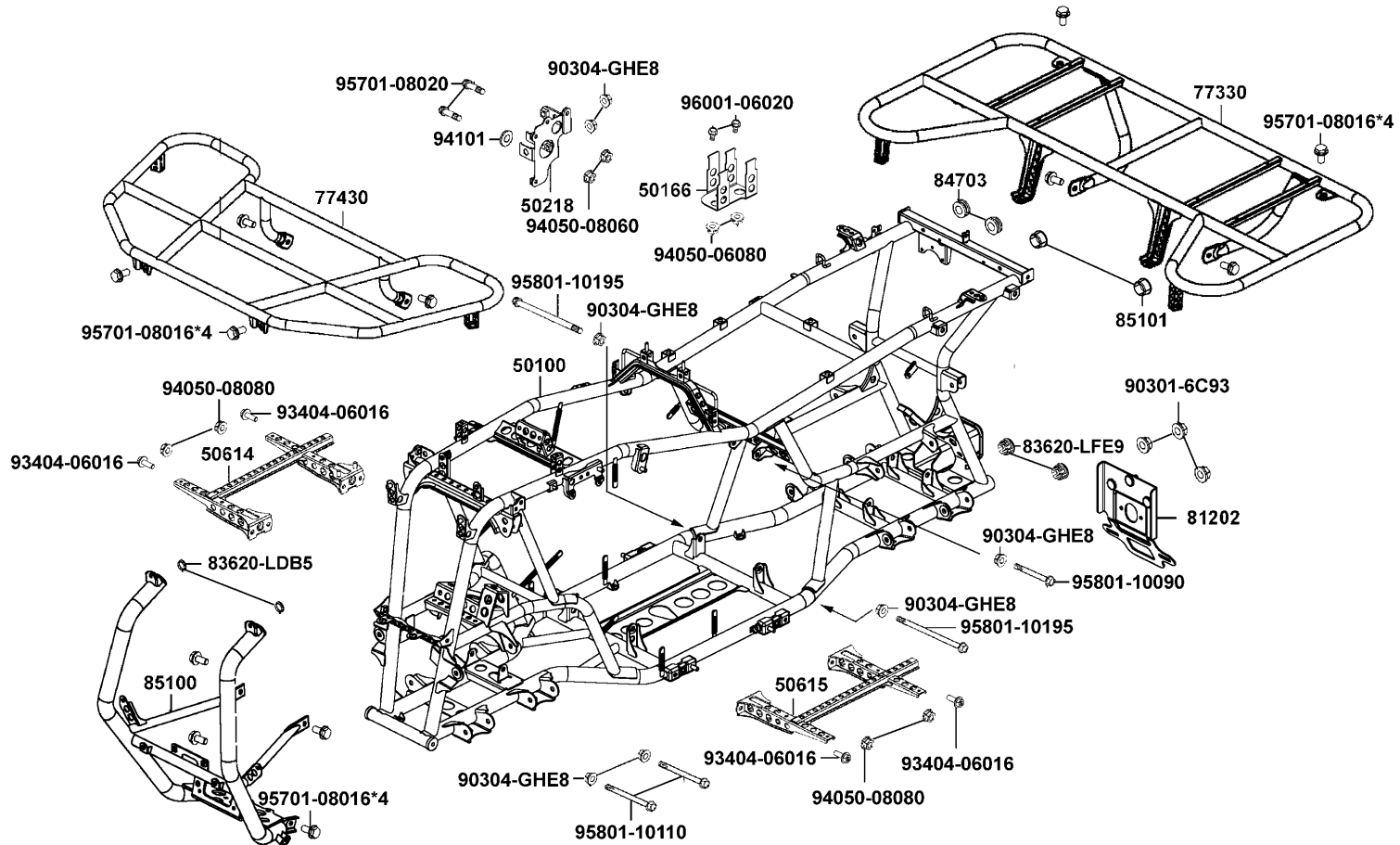
Harness Wire



Sales mark	Ref no	Part no	Ver	Description	Reg description	Regd no	F21
	39100	39100-LBA7-E00	1	EMI FILTER FAN MOTOR	EMI FILTER FAN MOTOR	1	
	53600-KKAK-E0A	53600-KKAK-E0A	0	LOCK STEERING HNDL	LOCK STEERING HNDL	1	
	53600-KKAK-E0B	53600-KKAK-E0B	1	LOCK SET STRG HANDLE	LOCK SET STRG HANDLE	1	
	90164	90164-0H28-900	2	SCREW FLAT U LOCK 6*12	SCREW FLAT U LOCK 6*12	2	
#	94050	94050-06080	0	NUT FLANGE 6MM	NUT FLANGE 6MM	2	
	95701-06012	95701-06012-06	1	BOLT FLANGE 6*12	BOLT FLANGE 6*12	1	
	95701-06016	95701-06016-06	0	BOLT FLANGE 6*16	BOLT FLANGE 6*16	3	
	96001-06016	96001-06016-08	0	BOLT FLANGE SH 6*16	BOLT FLANGE SH 6*16	2	
	98200-31000	98200-31000	1	BLADE FUSE 10A	BLADE FUSE 10A	1	
	98200-31500	98200-31500	0	BLADE FUSE 15A	BLADE FUSE 15A	3	
	98200-33000	98200-33000	0	BLADE FUSE 30A	BLADE FUSE 30A	2	

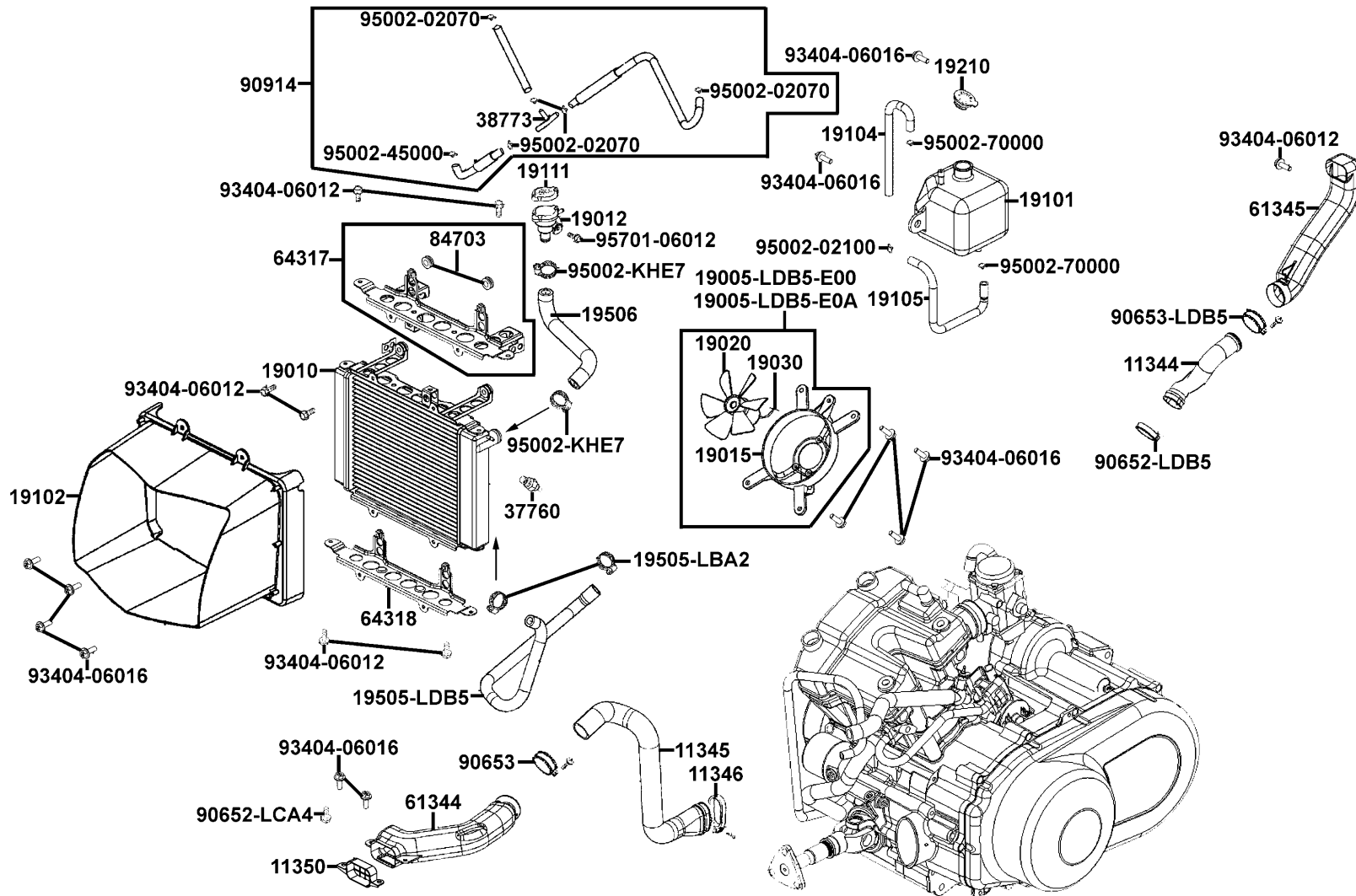


Sales mark	Ref no	Part no	Ver	Description	Reg description	Regd no	F22
	50100	50100-LFE9-E00	4	BODY COMP FRAME	BODY COMP FRAME	1	
	50166	50166-LDB5-E00	1	STAY START MAG SW	STAY START MAG SW	1	
	50218	50218-LDB5-E00	7	STAY ELE SET	STAY ELE SET	1	
	50614	50614-LDB5-E00	9	STAY R FLOOR PANEL	STAY R FLOOR PANEL	1	
	50615	50615-LDB5-E00	9	STAY L FLOOR PANEL	STAY L FLOOR PANEL	1	
**	77330	77330-LDB5-E00	4	REAR CARRIER LUGGAGE	REAR CARRIER LUGGAGE	1	
**	77430	77430-LDB5-E00	2	FRONT CARRIER LUGGAGE	FRONT CARRIER LUGGAGE	1	
	81202	81202-LDB5-E00	1	STAY NUMBER PLATE	STAY NUMBER PLATE	1	
	83620-LDB5	83620-LDB5-E00	1	CAP PIPE	CAP PIPE	2	
	83620-LFE9	83620-LFE9-E00	1	CAP PIPE	CAP PIPE	2	
	84703	84703-LLB1-900	1	RUBBER TAIL LIGHT	RUBBER TAIL LIGHT	2	
**	85100	85100-LFE9-E00	1	PIPE COMP FR BUMPER	PIPE COMP FR BUMPER	1	
	85101	85101-LCA5-E00	2	CAP PIPE	CAP PIPE	2	
	90301	90301-6C93-001	1	NUT 6MM OPENSTAY	NUT 6MM OPENSTAY	3	
#	90304	90304-GHE8-004	0	NUT U 10MM	NUT U 10MM	7	
#	93404-06016	93404-06016-06	0	BOLT WASHER 6*16	BOLT WASHER 6*16	4	
#	94050-06080	94050-06080	0	NUT FLANGE 6MM	NUT FLANGE 6MM	2	
	94050-08060	94050-08060	0	NUT FLANGE 8MM	NUT FLANGE 8MM	2	
	94050-08080	94050-08080	0	NUT FLANGE 8MM	NUT FLANGE 8MM	4	
	94101	94101-08600	0	WASHER PLAIN 8MM	WASHER PLAIN 8MM	1	

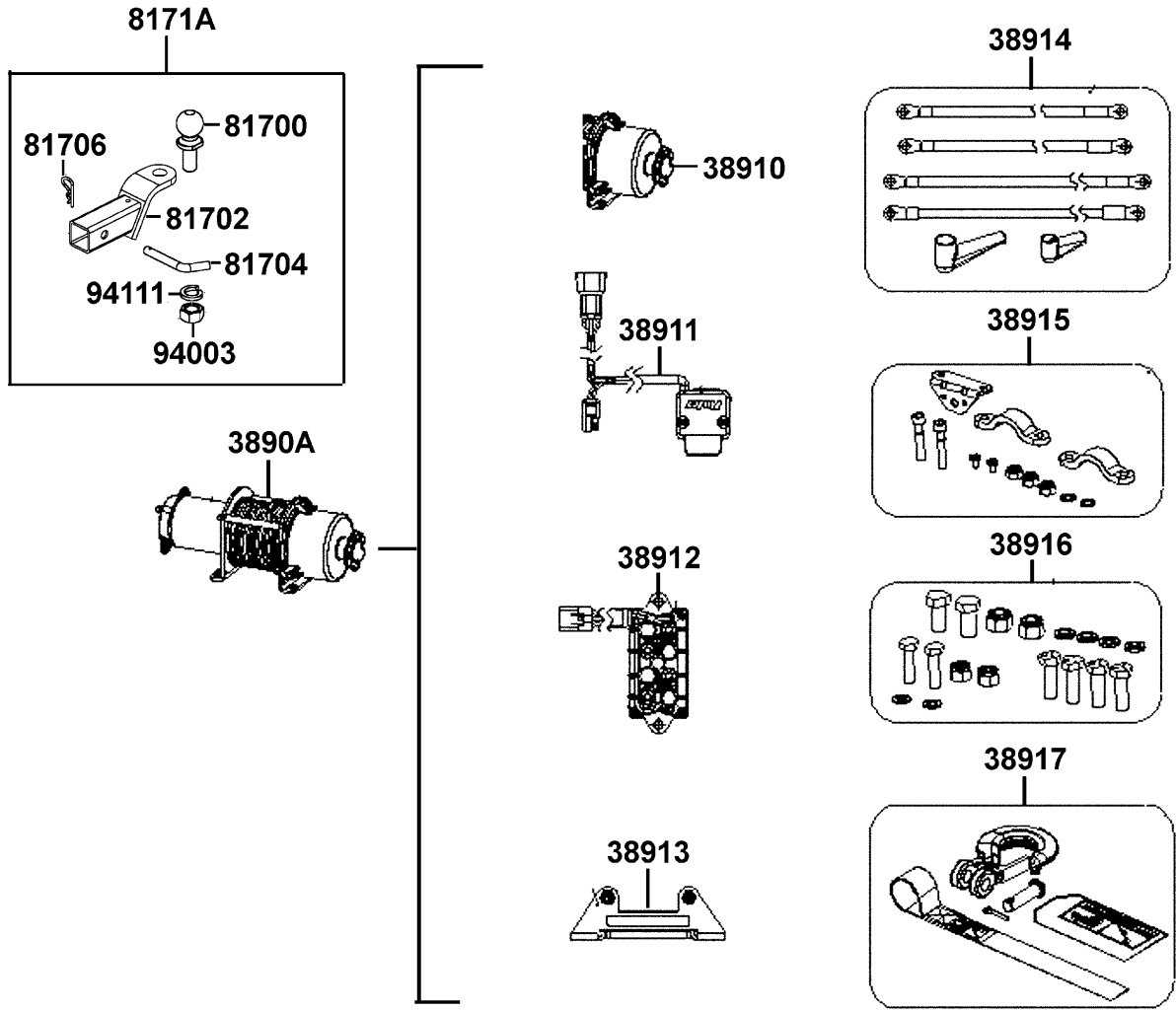


Sales mark	Ref no	Part no	Ver	Description	Reg description	Regd no	F22
	95701-08016	95701-08016-06	0	BOLT FLANGE 8*16	BOLT FLANGE 8*16	12	
	95701-08020	95701-08020-06	1	BOLT FLANGE 8*20	BOLT FLANGE 8*20	2	
	95801-10090	95801-10090-06	0	BOLT FLANGE 10*90	BOLT FLANGE 10*90	1	
	95801-10110	95801-10110-06	0	BOLT FLANGE 10*110	BOLT FLANGE 10*110	2	
	95801-10195	95801-10195-06	0	BOLT FLANGE 10*195	BOLT FLANGE 10*195	2	
	96001-06020	96001-06020-06	0	BOLT FLANGE 6*20	BOLT FLANGE 6*20	2	

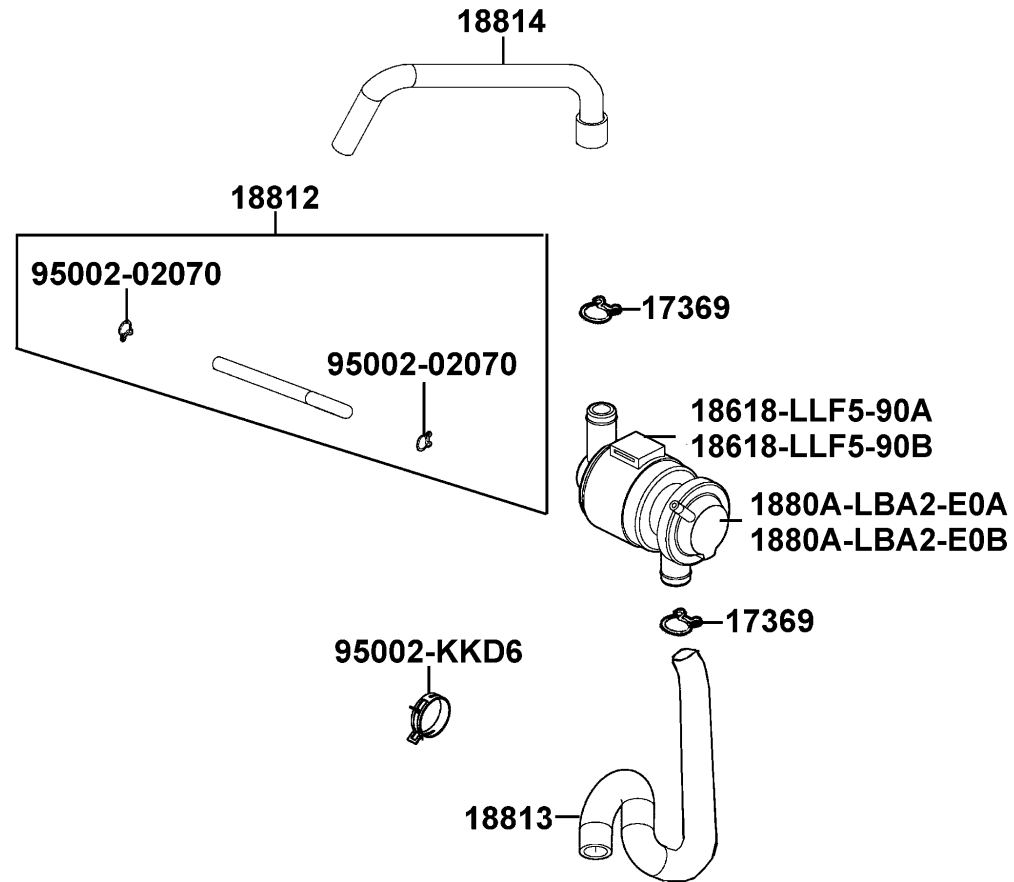
Sales mark	Ref no	Part no	Ver	Description	Reg description	Regd no	F23
	11344	11344-LFE9-E00	2	DUCT B L CASE	DUCT B L CASE	1	
	11345	11345-LFE9-E00	0	DUCT A L CASE	DUCT A L CASE	1	
	11346	11346-LDB5-E00	2	BAND 56*96 FRONT CVT	BAND 56*96 FRONT CVT	1	
	11350	11350-LDB5-E00	3	ELEMENT DUCT A L COVER	ELEMENT DUCT A L COVER	1	
	19005-LDB5-E00	19005-LDB5-E00	2	SHROUD ASSY	SHROUD ASSY	1	
	19005-LDB5-E0A	19005-LDB5-E0A	0	SHROUD ASSY	SHROUD ASSY	1	
	19010	19010-LDB5-E00	2	RADIATOR COMP	RADIATOR COMP	1	
	19012	19012-KHD8-900	4	UNIT RADIATOR	UNIT RADIATOR	1	
	19015	19015-LBA2-E00	0	SHROUD COMP	SHROUD COMP	1	
	19020	19020-LBA2-E00	0	FAN COOLING	FAN COOLING	1	
	19030	19030-LDB5-E00	2	MOTOR ASSY FAN	MOTOR ASSY FAN	1	
	19101	19101-LFE9-E00	0	TANK RESERVE	TANK RESERVE	1	
	19104	19104-LDB5-E00	1	HOSE ASSY DRAIN	HOSE ASSY DRAIN	1	
	19105	19105-LDB5-E00	2	HOSE ASSY RESERVE TANK-	HOSE ASSY RESERVE TANK-	1	
	19111	19111-GBE2-004	1	CAP COMP	CAP COMP	1	
	19210	19210-KKC4-900	0	CAP RESERVE TANK	CAP RESERVE TANK	1	
	19505-LBA2	19505-LBA2-E00	4	CLAMP WATER HOSE	CLAMP WATER HOSE	2	
	19505-LDB5	19505-LDB5-E00	4	HOSE WATER F ENG-RADIATOR	HOSE WATER F ENG-RADIATOR	1	
	19506	19506-LDB5-E00	1	HOSE WATER G RADIATOR-	HOSE WATER G RADIATOR-	1	
#	37760	37760-KHD8-900	0	SW ASSY THERMO	SW ASSY THERMO	1	



Sales mark	Ref no	Part no	Ver	Description	Reg description	Regd no	F23
	38773	38773-PKB9-001	0	JOINT 3 WAY 3.5	JOINT 3 WAY 3.5	1	
	61344	61344-LDB5-E00	1	CHAMBER LC COVER DUCT	CHAMBER LC COVER DUCT	1	
	61345	61345-LFE9-E00	2	CHAMBER L COVER DUCT B	CHAMBER L COVER DUCT B	1	
	64317	64317-LDB5-E00	5	STAY RADIATOR UPPER	STAY RADIATOR UPPER	1	
	64318	64318-LDB5-E00	1	STAY RADIATOR LOWER	STAY RADIATOR LOWER	1	
	84703	84703-LLB1-900	1	RUBBER TAIL LIGHT	RUBBER TAIL LIGHT	2	
	90652-LCA4	90652-LCA4-E00	1	CLIP MUDGUARD	CLIP MUDGUARD	1	
	90652-LDB5	90652-LDB5-E00	3	BAND 67 FRONT CVT DUCT	BAND 67 FRONT CVT DUCT	1	
	90653	90653-LDB5-E00	3	BAND 81 REAR CVT DUCT	BAND 81 REAR CVT DUCT	1	
	90914	90914-LFE9-E00	0	TUBE ASSY WATER	TUBE ASSY WATER	1	
	93404-06012	93404-06012-06	0	BOLT WASH 6*12	BOLT WASH 6*12	8	
#	93404-06016	93404-06016-06	0	BOLT WASHER 6*16	BOLT WASHER 6*16	12	
	95002-02070	95002-02070	0	CLIP B7 TUBE	CLIP B7 TUBE	5	
	95002-02100	95002-02100	0	CLIP B15 TUBE	CLIP B15 TUBE	1	
	95002-45000	95002-45000	0	CLIP C8 TUBE	CLIP C8 TUBE	1	
	95002-70000	95002-70000	0	CLIP C11 TUBE	CLIP C11 TUBE	2	
	95002-KHE7	95002-KHE7-900	0	CLIP WATER HOSE	CLIP WATER HOSE	2	
	95701-06012	95701-06012-06	1	BOLT FLANGE 6*12	BOLT FLANGE 6*12	1	



Sales mark	Ref no	Part no	Ver	Description	Reg description	Regd no	F24
	3890A	3890A-LFE9-E00	2	WINCH ASSY	WINCH ASSY	1	
	38910	38910-PWB1-E03	1	WINCH COMP	WINCH COMP	1	
	38911	38911-LFE9-E00	0	ROCKER SWITCH CABLE	ROCKER SWITCH CABLE	1	
	38912	38912-PWB1-E03	1	SOLENOID	SOLENOID	1	
	38913	38913-PWB1-E03	1	ROLLER FAILEAD	ROLLER FAILEAD	1	
	38914	38914-LFE9-E00	2	POWER CORD	POWER CORD	1	
	38915	38915-PWB1-E03	1	SWITCH MOUNTING ACCESSORIES	SWITCH MOUNTING	1	
	38916	38916-LFE9-E00	0	HARDWARE	HARDWARE	1	
	38917	38917-LFE9-E00	0	HOOK PART ACCESSORIES	HOOK PART ACCESSORIES	1	
	81700	81700-LEE8-E00	0	HITCH BALL	HITCH BALL	1	
	81702	81702-LEE8-E00	0	HITCH	HITCH	1	
	81704	81704-PWB1-900	0	HITCH PIN	HITCH PIN	1	
	81706	81706-PWB1-900	0	CLIP HITCH PIN	CLIP HITCH PIN	1	
	8171A	8171A-LEE8-E00	0	HITCH ASSY	HITCH ASSY	1	
	94003	94003-PWB1-900	0	NUT FLANGER	NUT FLANGER	1	
	94111	94111-PWB1-900	0	WASHER SPG	WASHER SPG	1	




Sales mark	Ref no	Part no	Ver	Description	Reg description	Regd no	F25
	17369	17369-KDB4-671	1	CLIP BREATHER TUBE	CLIP BREATHER TUBE	2	
	18618-LLF5-90A	18618-LLF5-90A	2	RUBBER AICV MOUNT	RUBBER AICV MOUNT	1	
	18618-LLF5-90B	18618-LLF5-90B	2	RUBBER AI CLEANER MOUNT	RUBBER AI CLEANER MOUNT	1	
	1880A-LBA2-E0A	1880A-LBA2-E0A	2	AI/C-AICV ASSY	AI/C-AICV ASSY	1	
	1880A-LBA2-E0B	1880A-LBA2-E0B	2	AI/C AICV ASSY	AI/C AICV ASSY	1	
	18812	18812-LDB5-E00	1	TUBE ASSY VACUUM	TUBE ASSY VACUUM	1	
	18813	18813-LDB5-E00	1	DUCT AICV-REED VALVE	DUCT AICV-REED VALVE	1	
	18814	18814-LDB5-E00	1	DUCT AIR-AICV	DUCT AIR-AICV	1	
	95002-02070	95002-02070	0	CLIP B7 TUBE	CLIP B7 TUBE	2	
	95002-KKD6	95002-KKD6-E05	0	CLAMP D18 TUBE	CLAMP D18 TUBE	1	

WARNING
 NEVER EXCEED 10 MPH (16 KPH) WHEN DIFFERENTIAL IS LOCKED. LOSS OF CONTROL AND SEVERE INJURY OR DEATH MAY RESULT AT HIGH SPEEDS WHEN DIFFERENTIAL IS LOCKED.

87529

WARNING
 IMPROPER TIRE PRESSURE OR OVERLOADING CAN CAUSE LOSS OF CONTROL. LOSS OF CONTROL CAN RESULT IN SEVERE INJURY OR DEATH.
 OPERATING TIRE PRESSURE: Set with tires cold
 • Recommended:
 FRONT: 35 ± 3 kpa, 10.35 ± 0.03 kgf/cm², 5.0 ± 0.4 psi
 REAR : 32 ± 3 kpa, 10.32 ± 0.03 kgf/cm², 4.5 ± 0.4 psi
 • Never set tire pressure over the recommended.

87505-LFE9-E01

WARNING

 Operating this ATV if you are under the age of 16 increases your chances of severe injury or death.
 NEVER operate this ATV if you are under the age of 16.

87517-LDB5-E00

CAUTION
 Before shifting, you must stop the machine and return the throttle lever to its closed position until the engine speed to the specified idling speed. Otherwise, the transmission may be damaged.

87322-LBA7-E00

WARNING
 Exceeding vehicle towing limit could lead to an accident. Reduce speed when towing a trailer. Read owner's manual for details.
 MAXIMUM TOWING CAPACITY: 454 kg (1000 lbs)
 TONGUE WEIGHT: 18 kg (38 lbs)

87514-LDB8-E00

WARNING



 Never carry passenger on this carrier.
 Maximum load: 68 kg (150 lbs).

87556-LDB5-E00

WARNING

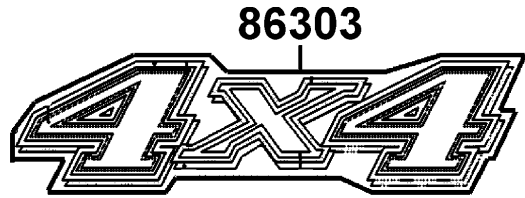
 Never carry passenger on this carrier.
 Maximum load: 68 kg (150 lbs).

87556-LDB5-E01

WARNING
 Improper ATV use can result in SEVERE INJURY or DEATH.
 
 ALWAYS USE ALL PROTECTIVE GEAR AND FOLLOW THE OPERATING INSTRUCTIONS.
NEVER! operate:
 • without proper training or instruction
 • at speeds too fast for your skills or the conditions.
 • do not operate this vehicle after consuming alcohol or drugs.
ALWAYS:
 • use proper shifting techniques to avoid vehicle overturn on hill and rough terrain and in turns.
 • for your safety, wear your seat belt, helmet, gloves and foot protection.
 • operate in accordance, read all cautions, avoid speed and open throttle when rolling.
LOCKE AND READ OPERATOR'S MANUAL. FOLLOW ALL INSTRUCTIONS AND WARNINGS.

87515-LDB5-E01

Sales mark	Ref no	Part no	Ver	Description	Reg description	Regd no	F26
**	87322	87322-LBA7-E00	2	CAUTION SHIFT GEARS	CAUTION SHIFT GEARS	1	
**	87505	87505-LFE9-E01	1	LABEL TIRE ON ROAD	LABEL TIRE ON ROAD	1	
**	87514	87514-LFE9-E02	2	CAUTION MAXIMUM CAPACITY-ON	CAUTION MAXIMUM CAPACITY-	1	
**	87515	87515-LDB5-E01	2	DRIVE WARNING LIST-ON ROAD	DRIVE WARNING LIST-ON ROAD	1	
**	87517	87517-LDB5-E00	2	CAUTION DRIVE AGE 16	CAUTION DRIVE AGE 16	1	
**	87529	87529-LFE9-M30	1	WARNING DECAL DIFF LOCK	WARNING DECAL DIFF LOCK	1	
**	87556-LDB5-E00	87556-LDB5-E00	1	WARNING CARRIER MAX	WARNING CARRIER MAX	1	
**	87556-LDB5-E01	87556-LDB5-E01	2	WARNING CARRIER MAX	WARNING CARRIER MAX	1	



86302



86303



87503



87503



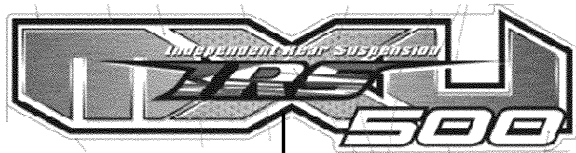
87532-LBE8



86102



87532-LCA5



86233

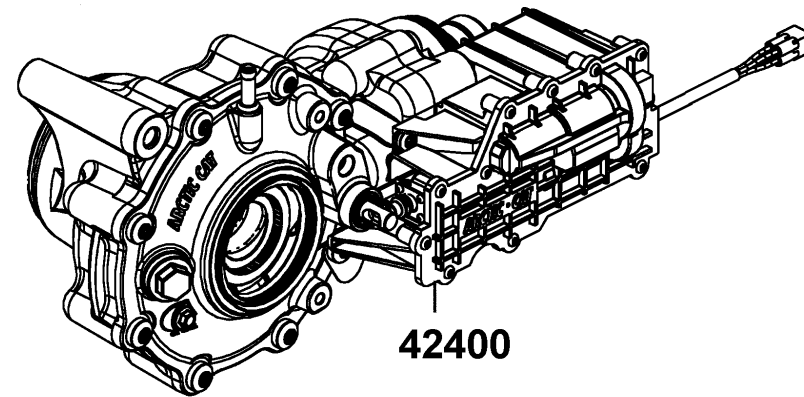


86223

Sales mark	Ref no	Part no	Ver	Description	Reg description	Regd no	F27
**	86102	86102-LDB5-900	3	STRIPE K-LOGO 28.5MM	STRIPE K-LOGO 28.5MM	1	
**	86223	86223-LFE9-E61	0	STRIPE R FUEL TANK	STRIPE R FUEL TANK	1	
**	86233	86233-LFE9-E61	1	STRIPE L FUEL TANK	STRIPE L FUEL TANK	1	
**	86302	86302-LDB5-E00	1	EMB GEAR REVEAL CHANGE	EMB GEAR REVEAL CHANGE	1	
**	86303	86303-LDB5-E00	2	STRIPE 4*4	STRIPE 4*4	2	
**	87503	87503-LDB5-900	2	STRIPE KYMCO 120MM	STRIPE KYMCO 120MM	2	
**	87532-LBE8	87532-LBE8-900	2	STRIPE KYMCO	STRIPE KYMCO	1	
**	87532-LCA5	87532-LCA5-900	1	STRIPE K-LOGO 60MM	STRIPE K-LOGO 60MM	1	

F28

Separated Parts Of Fr Final Differential



Sales mark	Ref no	Part no	Ver	Description	Reg description	Regd no	F28
------------	--------	---------	-----	-------------	-----------------	---------	------------

42400	42400-LFE9-E00	0	GEAR CASE FRONT ASSEMBLY	GEAR CASE FRONT ASSEMBLY	1		
-------	----------------	---	--------------------------	--------------------------	---	--	--

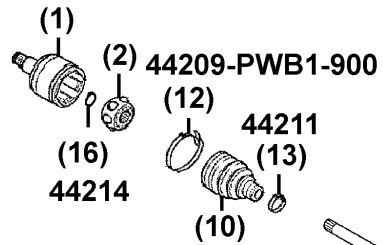
Separated Parts Of CVJ

44208-PWB1-305 INCLUDES NO.10.12.13.16.19.21
 44209-PWB1-305 INCLUDES NO.11.14.15.17.18.19.22

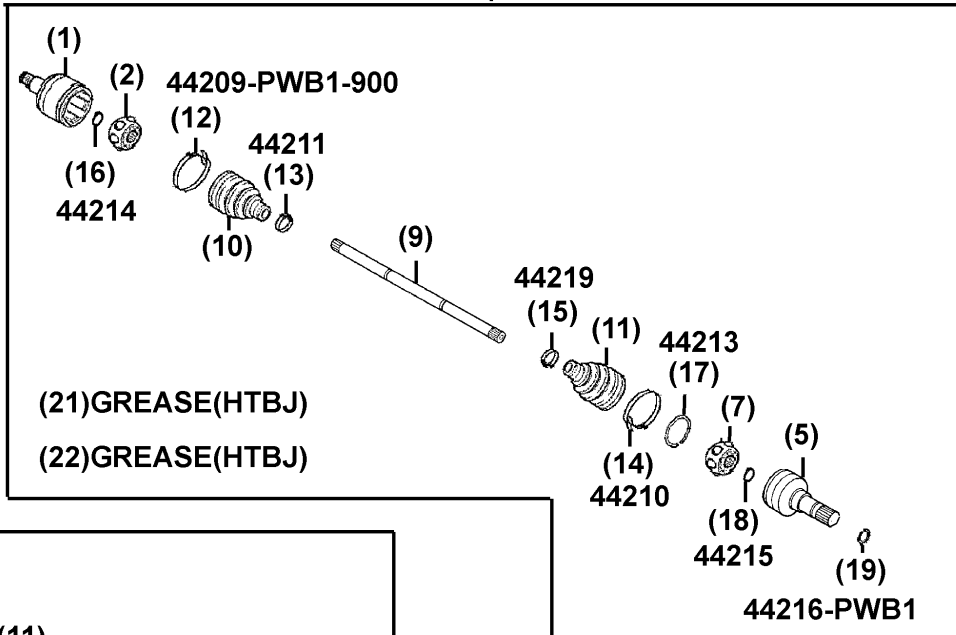
44200
 44250

42200
 42250

(20)GREASE(HTBJ)
 (21)GREASE(HTBJ)



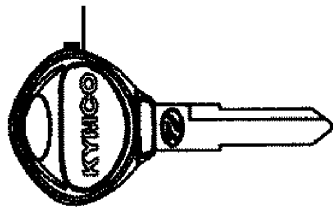
44208-LFE9-305 INCLUDES NO.10.12.13.16.19.20
 44209-LEE8-305 INCLUDES NO.11.14.15.17.18.19.21



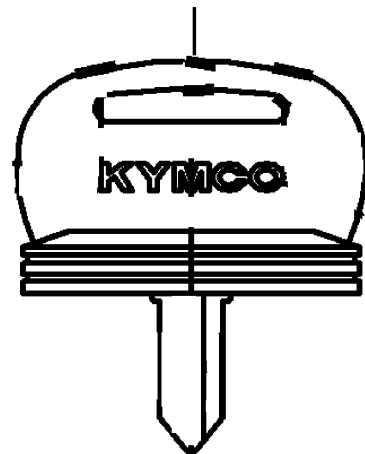
(21)GREASE(HTBJ)
 (22)GREASE(HTBJ)

Sales mark	Ref no	Part no	Ver	Description	Reg description	Regd no	F29
	42200	42200-LFE9-E00	1	HALF SHAFT REAR-RH	HALF SHAFT REAR-RH	1	
	42250	42250-LFE9-E00	1	HALF SHAFT REAR-LH	HALF SHAFT REAR-LH	1	
	44200	44200-LFE9-E00	0	HALF SHAFT FRONT-RH	HALF SHAFT FRONT-RH	1	
	44208-LFE9-305	44208-LFE9-305	0	WHEEL SIDE BOOT SERVICE KIT	WHEEL SIDE BOOT SERVICE KIT	1	
	44208-PWB1-305	44208-PWB1-305	0	WHEEL SIDE BOOT SERVICE KIT	WHEEL SIDE BOOT SERVICE KIT	1	
	44209-LEE8-305	44209-LEE8-305	0	DIFF SIDE BOOT SERVICE KIT	DIFF SIDE BOOT SERVICE KIT	1	
	44209-PWB1-305	44209-PWB1-305	0	DIFF SIDE BOOT SERVICE KIT	DIFF SIDE BOOT SERVICE KIT	1	
	44209-PWB1-900	44209-PWB1-900	0	BOOT-BAND (L)	BOOT-BAND (L)	2	
	44210	44210-PWB1-900	0	BOOT-BAND (L)	BOOT-BAND (L)	2	
	44211	44211-PWB1-900	0	BOOT-BAND (S)	BOOT-BAND (S)	2	
	44213	44213-PWB1-900	0	CIRCLIP (DOJ MONTH)	CIRCLIP (DOJ MONTH)	2	
	44214	44214-PWB1-900	0	CIRCLIP	CIRCLIP	2	
	44215	44215-PWB1-900	0	SNAP RING	SNAP RING	2	
	44216-LEE8	44216-LEE8-E00	0	CIRCLIP DOJ STEM	CIRCLIP DOJ STEM	1	
	44216-PWB1	44216-PWB1-900	0	CIRCLIP (DOJ STEM)	CIRCLIP (DOJ STEM)	1	
	44219	44219-PWB1-900	0	BOOT-BAND (S)	BOOT-BAND (S)	2	
	44250	44250-LFE9-E00	0	HALF SHAFT FRONT-LH	HALF SHAFT FRONT-LH	1	

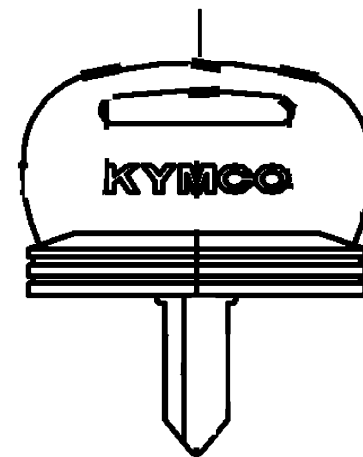
35111-LLB1-327-M2



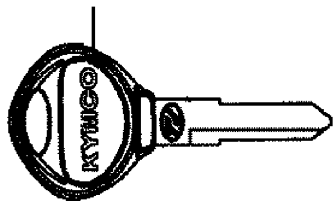
35111-LCA5-325-M1



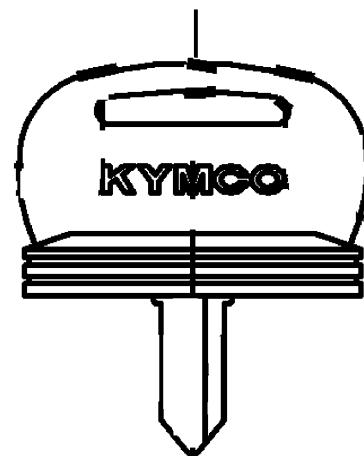
35111-LCA5-326-M1



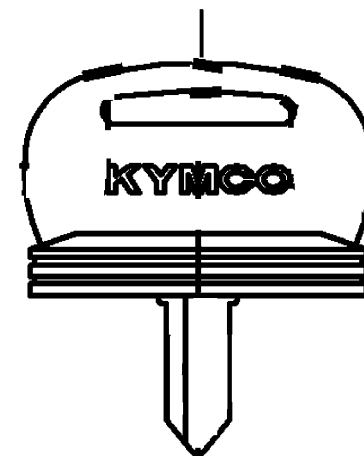
35111-LLB1-328-M2



35111-LCA5-325-M2



35111-LCA5-326-M2



Sales mark	Ref no	Part no	Ver	Description	Reg description	Regd no	F30
	35111-LCA5-325-	35111-LCA5-325-M1	0	KEY COMP(FOR SERVICE)	KEY COMP(FOR SERVICE)	1	
	35111-LCA5-325-	35111-LCA5-325-M2	0	KEY COMP(FOR SERVICE)	KEY COMP(FOR SERVICE)	1	
	35111-LCA5-326-	35111-LCA5-326-M1	0	KEY COMP(FOR SERVICE)	KEY COMP(FOR SERVICE)	1	
	35111-LCA5-326-	35111-LCA5-326-M2	0	KEY COMP(FOR SERVICE)	KEY COMP(FOR SERVICE)	1	
	35111-LLB1-327	35111-LLB1-327-M2	0	KEY COMP(FOR SERVICE)	KEY COMP(FOR SERVICE)	1	
	35111-LLB1-328	35111-LLB1-328-M2	0	KEY COMP(FOR SERVICE)	KEY COMP(FOR SERVICE)	1	

PART NO. INDEX

PART NO.	VERSION	PAGE	PART NO.	VERSION	PAGE	PART NO.	VERSION	PAGE
11000			11704-LCA5-E00	1	E04	13000		
1110A-LDB5-E00	0	E01	11706-LDB5-E00	1	E04	1300A-LDB5-309	1	E03
1119A-LDB5-E00	4	E01	11707-LDB5-E00	1	E04	13011-LBA2-E0A	1	E03
11203-LDB5-E00	3	F14	11708-LCA5-E00	1	E04	13101-LDG7-E00	1	E03
11330-LEE8-E00	1	E04	12000			13111-LBA2-E00	4	E03
11341-LDB5-E00	4	E01	12100-LDB5-E00	4	E03	14000		
11341-LDB5-E00	5	E01	12103-LBA2-E00	1	E03	1411A-LBA2-E00	10	E02
11344-LFE9-E00	2	F23	12191-LDB5-E00	2	E03	1412A-LDG7-E00	3	E02
11345-LFE9-E00	0	F23	12205-KHE8-301	1	E02	14153-LBA2-E00	3	E02
11346-LDB5-E00	2	F23	12205-LEE8-E00	3	E02	14154-LBA2-E00	1	E02
11348-LDB5-E00	2	E04	12206-LBA2-E00	2	E02	14321-KED9-900	5	E02
11350-LDB5-E00	3	F23	12208-LBA2-E00	3	E02	14321-LBA2-E00	2	E02
11394-LDB5-E00	2	E04	12209-GDB4-68A	0	E02	14401-LBA2-E00	1	E03
11395-LDB5-E00	1	E01	1220A-LDG7-900	3	E02	14451-LBA2-E00	2	E02
11441-LDB5-910	1	E05	12251-LBA2-E00	4	E03	14510-LDB5-E00	5	E03
11442-LDB5-900	3	E05	12303-LBA2-E00	3	E02	14520-LDB5-E00	2	E03
11443-LDB5-900	2	E05	12310-LDB5-E00	1	E02	14523-KED9-900	0	E03
11451-LDB5-E00	4	E05	12311-KBE2-900	4	E02	14531-KED9-900	4	E03
11495-LDB5-E00	2	E05	12361-GFY6-901	1	E01	14546-LBA2-E00	4	E02
11496-LDB5-E00	3	E01	12361-GFY6-901	1	F16	14552-KGBG-900	0	E02
11700-LDB5-E00	2	E04	12391-LBA2-E00	1	E02	14610-LBA2-E00	5	E03
11701-LDB5-E00	1	E04				14611-LBA2-E00	3	E02
11702-LDB5-E00	2	E04						
11703-LDB5-E00	2	E04						

PART NO. INDEX

PART NO.	VERSION	PAGE	PART NO.	VERSION	PAGE	PART NO.	VERSION	PAGE	
14711-LDG7-900	1	E02	16000			16131-LDB5-E00	5	E09	
14721-LBA2-E00	1	E02				16132-KEC3-900	1	E09	
14751-LBA2-E00	1	E02				16133-LDB5-E00	3	E09	
14761-LDG7-900	1	E02		16001-LDB5-E00	1	E09	16134-LDB5-E00	3	E09
14771-KED9-900	2	E02		16012-LDB5-E00	6	E09	16137-LDB5-E00	2	E09
14777-LBA2-E00	2	E02		16019-LDB5-E00	3	E09	16142-KGC5-900	1	E09
14781-MFA6-001	0	E02		16035-LFE9-900	1	E09	16165-KGC5-900	1	E09
15000				16051-KGC5-90A	4	E09	16180-KGC5-900	2	E09
				16053-KEC3-900	0	E09	16181-LDB5-E00	2	E09
				16057-LDB5-E00	6	E09	16183-LDB5-E00	2	E09
			16059-LDB5-E00	3	E09	16213-LBA2-E00	2	E02	
15100-LDB5-E00	3	E06	16069-LDB5-E00	3	E09	16911-LDB5-600	1	F10	
15133-LBA2-E00	1	E06	16070-LDB5-E00	2	E09	16950-LDB5-600	3	F10	
15138-LDB5-E00	4	E06	16079-LDB5-E00	1	E09	16951-LDB5-E00	2	F10	
15141-LDB5-E00	1	E06	16087-LFE9-E00	0	E09	16952-LDB5-600	0	F10	
15200-KED9-900	7	E01	16088-KEC3-900	1	E09	16952-LLB1-900	1	F10	
1541A-LBA2-E00	2	E01	16092-LDB5-E00	3	E09	17000			
15421-1G07-001	1	E01	16093-KEC3-900	1	E09				
15421-LBA2-E00	2	E01	16095-KEC3-900	2	E09				
15426-GAE1-921	0	E01	16100-LFE9-E00	2	E09		17113-LBA2-E00	1	E02
15520-LDB5-E00	1	E01	16105-LDB5-E00	2	E09		1711A-LFE9-E00	1	E02
1565A-PWA1-900	1	E04	16110-KGC5-900	1	E09		17200-LFE9-E00	1	F13
15661-LBA7-900	1	E01	16111-KHE7-900	1	E09		17214-LDB5-E00	2	F13
15711-LDB5-E00	1	E06	16113-LDB5-E00	4	E09		1721A-LDB5-E00	2	F13
			16114-KEC3-900	0	E09		17231-LDB5-E00	0	F13
			16120-KEC3-900	0	E09		1723A-LFE9-E00	0	F13

PART NO. INDEX

PART NO.	VERSION	PAGE	PART NO.	VERSION	PAGE	PART NO.	VERSION	PAGE
17246-LBA7-900	2	F13	18320-LDB5-E00	1	F14	18814-LDB5-E00	1	F25
17257-LDB5-E00	3	F13	18325-LDB5-E00	3	F14			
17265-LBA7-900	1	F13	18328-LDB5-E00	2	F14	19000		
17369-KDB4-671	1	F24	18371-LBA2-E00	2	F14			
17369-KDB4-671	1	F25	18391-LBA2-E00	1	F14	19005-LDB5-E00	2	F23
17369-KHC4-900	0	F13	18532-6D34-671	0	F13	19005-LDB5-E0A	0	F23
17500-LDB5-E00	8	F10	18601-KBE2-900	4	E02	19010-LDB5-E00	2	F23
17522-LLB1-900	1	F10	18612-KFB5-900	1	E02	19012-KHD8-900	4	F23
17524-LLB1-900	1	F10	18613-LDB5-E00	2	E02	19015-LBA2-E00	0	F23
17550-LDB5-E00	1	F10	18618-LLF5-90A	2	F24	19020-LBA2-E00	0	F23
17560-LDB5-600	1	F12	18618-LLF5-90A	2	F25	19030-LDB5-E00	2	F23
1760A-LDB5-600	2	F10	18618-LLF5-90B	2	F24	19101-LFE9-E00	0	F23
1763A-LDB5-E00	1	F10	18618-LLF5-90B	2	F25	19102-LDB5-E00	1	F23
17700-LDB5-E00	2	F05	18645-LBA2-E00	1	E02	19104-LDB5-E00	1	F23
17705-LDB5-E00	2	F05	18646-GFY6-941	0	E02	19105-LDB5-E00	2	F23
17720-LBA7-900	1	F05	18647-LBA2-E00	4	E02	19111-GBE2-004	1	F23
17910-LDB5-E00	3	F03	18659-LDB5-E00	0	F13	19200-LEE8-E00	2	E04
17957-LDB5-600	0	F10	1880A-LBA2-E0A	2	F24	19210-KKC4-900	0	F23
18000			1880A-LBA2-E0A	2	F25	19300-LBA2-E00	1	E04
			1880A-LBA2-E0B	2	F24	19310-LDB5-E00	1	E04
			1880A-LBA2-E0B	2	F25	19315-LBA2-E00	2	E04
18291-LBA2-E00	3	F14	18812-LDB5-E00	1	F24	19316-LFE9-E00	0	E04
18294-KFLF-500	0	F14	18812-LDB5-E00	1	F25	19317-LBA2-E00	1	E04
1830A-LFE9-E00	2	F14	18813-LDB5-E00	1	F24	19318-LDB5-E00	2	E04
18317-LFE9-E00	1	F14	18813-LDB5-E00	1	F25	19502-LEE8-E00	1	E04
18318-LFE9-E00	2	F14	18814-LDB5-E00	1	F24	19504-LBA2-E00	3	E04

PART NO. INDEX

PART NO.	VERSION	PAGE	PART NO.	VERSION	PAGE	PART NO.	VERSION	PAGE	
19504-LDB5-E00	3	E04	23000			23611-LDB5-E00	8	E07	
19505-LBA2-E00	4	E04				23612-LDB5-E00	3	E07	
19505-LBA2-E00	4	F23				23613-LDB5-E00	7	E07	
19505-LDB5-E00	4	E04		23010-LFE9-E00	1	E05	23614-LDB5-E00	6	E07
19505-LDB5-E00	4	F23		23100-LDB5-E00	2	E05	2362A-LDB5-E00	1	E01
19506-LDB5-E00	1	F23		23200-LDB5-E00	3	E05	24000		
19507-LBA2-E00	0	E04		23201-LDB5-E00	0	E05			
19507-LDB5-E00	1	E04		23210-LDB5-E00	4	E08			
19523-LDB5-E00	2	E04		23220-LDB5-E00	2	E05		24211-LDB5-E00	4
22000			23225-LDB5-E00	0	E05	24221-LDB5-E00		2	E07
			23233-LFE9-E00	1	E05	24241-LDB5-E00		1	E07
			23237-LDB5-E00	1	E05	24242-LDB5-E00		4	E07
			23238-LDB5-E00	1	E05	24251-LDB5-E00		4	E07
22102-LDB5-E00	3	E05	2341A-LDB5-900	2	E07	24305-LDB5-E00		2	E07
22105-LDB5-E00	3	E05	23421-LDB5-E00	4	E07	2431A-LDB5-E00	4	E07	
22110-LDB5-E00	5	E05	23431-LDB5-E00	4	E08	24610-LDB5-E00	4	E07	
22121-LFE9-E00	1	E05	23455-LDB5-E00	2	E07	24651-LDB5-E00	4	E07	
22127-LDB5-E00	0	E05	2345A-LDB5-E00	4	E08	24700-LDB5-E00	1	F15	
22128-LDB5-E00	0	E05	23471-LDB5-E00	3	E07	24701-LDB5-E00	2	E07	
22131-LDB5-E00	3	E05	23473-LDB5-E00	2	E07	24702-LDB5-E00	4	F15	
22132-LDB5-E00	2	E05	23481-LDB5-E00	3	E07	24703-LDB5-E00	5	F15	
22402-LDB5-E00	0	E05	23510-LDB5-900	2	E07	24704-LBA7-900	4	F15	
2261A-LDB5-900	2	E05	23513-LDB5-E00	2	E07	24705-LDB5-E00	3	F15	
22631-LDB5-E00	0	E05	23518-LDB5-E00	2	E08	24706-LDB5-E00	1	F15	
22641-LDB5-E00	2	E05	23519-LDB5-E00	2	E08	24707-LDB5-E00	6	F15	
2266A-LDB5-910	1	E05	23610-LDB5-E00	1	E07	24710-LDB5-E00	2	F15	

PART NO. INDEX

PART NO.	VERSION	PAGE	PART NO.	VERSION	PAGE	PART NO.	VERSION	PAGE
24711-LDB5-E00	3	F15	31350-LDB5-E0A	1	E01	33401-LCA5-E00	0	F19
24721-LDB5-E00	1	F15	31500-LDB5-E0A	2	F11	33450-LCA5-E00	2	F19
24781-LCA5-E00	2	F15	31500-LDB5-E0B	2	F11	33451-LCA5-E00	0	F19
28000			31600-LDB5-E00	5	F21	33700-LCA5-E00	4	F20
			31601-LDB5-E00	4	F21	33701-LCA5-E00	0	F20
			31700-KEC8-E00	1	F21	33706-GCN3-67A	0	F20
28100-LDB5-E00	2	E06	3195A-LBA7-E00	1	F21	33709-KBAB-003	0	F20
28103-LDB5-E00	2	E06				33710-LCA5-E00	0	F20
28110-LDB5-E00	1	E06	32000			33715-LCA5-E00	0	F20
28120-KKE5-E00	1	E06				33720-LCA5-E00	1	F20
28210-LDB5-E00	4	E04	32100-LFE9-900	3	F21	33725-KHB4-E00	0	F20
28310-LDB5-E00	1	E04	32100-LFE9-E00	3	F21	33726-LCA5-E00	0	F20
30000			32101-LLB1-800	1	F21	33740-LCA5-E00	1	F20
			32161-4D04-001	2	F03	33745-LCA5-E00	1	F20
			32410-LDB5-E00	1	E06	33750-LCA5-E00	4	F20
30400-LFE9-E00	1	F21	32411-LDB5-E00	2	F21	33751-LCA5-E00	0	F20
3051A-LDB5-E00	3	F21	32412-LDB5-E00	5	E04			
30700-LDB5-E00	2	F21				34000		
31000								
						34901-KFA6-900	0	F01
			33100-LDB5-E00	2	F01	34903-KPCP-900	0	F01
31110-LDB5-E01	2	E06	33110-LDB5-E00	0	F01	34903-KPCP-900	0	F20
31110-LDB5-E0D	1	E06	33120-LDB5-E00	0	F01	34905-LBA7-E00	0	F19
31120-LDB5-E01	5	E06	33130-LDB5-E00	0	F01	34905-LCA5-E00	0	F20
31120-LDB5-E0D	5	E06	33150-LDB5-E00	2	F01	34906-KPCP-900	0	F20
31210-LBA2-E00	4	E06	33400-LCA5-E00	2	F19			

PART NO. INDEX

PART NO.	VERSION	PAGE	PART NO.	VERSION	PAGE	PART NO.	VERSION	PAGE
35000			37000			38915-PWB1-E03	1	F24
35010-LCA5-90A	0	F21	37200-LFE9-E0A	1	F02	38916-LFE9-E00	0	F24
35010-LCA5-90B	0	F21	37200-LFE9-E0B	1	F02	38917-LFE9-E00	0	F24
35010-LCA5-E0A	0	F21	37720-KGB5-900	0	E02	39000		
35010-LCA5-E0B	0	F21	37750-PAC1-005	0	E02	39100-LBA7-E00	1	F21
35100-LCA5-305-M1	0	F21	37760-KHD8-900	0	F23	40000		
35100-LCA5-305-M2	0	F21	37801-LAB4-910	1	F10	40210-LFE9-E00	2	E08
35111-LCA5-325-M1	0	F30	3780A-LDB5-E00	2	F10	40215-LFE9-E00	0	E08
35111-LCA5-325-M2	0	F30	38000			4040A-LDB5-E00	6	E08
35111-LCA5-326-M1	0	F30	38110-LDB5-E00	1	F21	40410-LFE9-E00	1	E08
35111-LCA5-326-M2	0	F30	38200-KEBE-900	0	F21	40415-LDB5-E00	1	E08
35111-LLB1-327-M2	0	F30	38300-LBC6-90A	2	F21	40420-LFE9-E00	0	E08
35111-LLB1-328-M2	0	F30	38300-LBC6-90B-425	2	F21	40441-LFE9-E00	3	F18
3515A-LFE9-E00	0	F03	38500-KHD8-900	0	F21	41000		
3520A-LDB5-E00	1	F03	38500-KHD8-90A	0	F21	41300-LFE9-E00	2	F16
35340-LDB5-900	0	F04	38773-PKB9-001	0	F23	41310-LFE9-E00	0	F16
35350-KNBN-901	0	F04	3890A-LFE9-E00	2	F24	41320-LFE9-E00	0	F16
35350-PWA2-900	1	F15	38910-PWB1-E03	1	F24	41405-LEE8-E00	2	F16
35357-LDB5-E00	3	F15	38911-LFE9-E00	0	F24	41421-LEE8-E00	3	F16
35759-LDB5-E00	3	E01	38912-PWB1-E03	1	F24	41431-LEE8-E00	3	F16
35850-LDB5-E00	1	F21	38913-PWB1-E03	1	F24			
			38914-LFE9-E00	2	F24			

PART NO. INDEX

PART NO.	VERSION	PAGE	PART NO.	VERSION	PAGE	PART NO.	VERSION	PAGE
41436-LCD9-E00	2	F16						
41437-LCD9-E00	2	F16	43000			44000		
41447-LDB5-E00-A	2	F16						
41447-LDB5-E00-B	2	F16	43100-LFE9-E00	3	F08	44200-LFE9-E00	0	F07
41447-LDB5-E00-C	2	F16	43105-LEE8-305	0	F08	44200-LFE9-E00	0	F29
41547-LEE8-E00	2	F16	43105-LFE9-305	0	F08	44208-LFE9-305	0	F29
41548-LEE8-E00-A	2	F16	43107-LEE8-E00	0	F08	44208-PWB1-305	0	F29
41548-LEE8-E00-B	2	F16	43107-LFE9-E00	0	F08	44209-LEE8-305	0	F29
41548-LEE8-E00-C	2	F16	43110-LFE9-305	0	F08	44209-PWB1-305	0	F29
42000			43125-LFE9-E00	2	F04	44209-PWB1-900	0	F29
			43127-LFE9-E00	1	F04	44210-PWB1-900	0	F29
			43200-LFE9-E00	3	F08	44211-PWB1-900	0	F29
42200-LFE9-E00	1	F08	43209-KKC4-900	0	F08	44213-PWB1-900	0	F29
42200-LFE9-E00	1	F29	43210-LFE9-305	0	F08	44214-PWB1-900	0	F29
42250-LFE9-E00	1	F08	43350-LFE9-E00	1	F18	44215-PWB1-900	0	F29
42250-LFE9-E00	1	F29	43351-LEE8-E00	4	F18	44216-LEE8-E00	0	F29
42400-LFE9-E00	0	F28	43352-KKD6-E90	1	F07	44216-PWB1-900	0	F29
42705-LFE9-E00	2	F08	43352-KKD6-E90	1	F08	44219-PWB1-900	0	F29
4270A-LFA5-E00	2	F08	43353-4A61-77A	0	F07	44250-LFE9-E00	0	F07
42710-LDB5-90A	1	F08	43353-4A61-77A	0	F08	44250-LFE9-E00	0	F29
42710-LDB5-90B	1	F08	43450-LFE9-E00	4	F04	44705-LFE9-E00	1	F07
42750-LDB1-700	1	F09	43500-LFE9-E01	1	F15	4470A-LFA5-E00	2	F07
42753-KNBN-90B	1	F07	43505-LDB5-E00	0	F15	44710-LDB5-90A	1	F07
42753-KNBN-90B	1	F08	43514-4E45-77A	0	F15	44710-LDB5-90B	1	F07
			43530-LFE9-305	0	F04			
			43600-LDB5-E00	2	F04			

PART NO. INDEX

PART NO.	VERSION	PAGE	PART NO.	VERSION	PAGE	PART NO.	VERSION	PAGE			
45000			45525-LBA7-900	0	F04	47453-PWB1-900	2	F17			
			45526-LBA7-900	0	F04	47500-PWB1-900	3	F06			
			45527-LBA7-900	0	F04	47550-PWB1-900	4	F17			
45100-LFE9-E00	2	F07	45530-LDB5-305	0	F04	50000					
45105-LFE9-305	0	F07	45531-GAR1-951	0	F07						
45107-LFE9-E00	0	F07	45531-GAR1-951	0	F08						
45108-LBA7-900	0	F08	45531-LBA7-900	0	F08		50100-LFE9-900	1	F22		
45109-PWA1-900	0	F08	46000				50100-LFE9-E00	4	F22		
45110-LFE9-E00	0	F07		50166-LDB5-E00	1		F22				
45121-PWB1-900	2	F07		50218-LDB5-900	0		F22				
45124-LFE9-E00	2	F04		46182-5L00-014	2		F15	50218-LDB5-E00	7	F22	
45127-LFE9-E00	2	F04		46500-LFE9-E00	1		F15	50351-LDB5-E00	5	F22	
45128-LFE9-E00	2	F04		46501-LFE9-E00	0		F15	50352-LDB5-E00	5	F22	
45130-LFE9-E00	2	F04		46502-LDB5-E00	2	F15	50612-LDB5-E00	4	F12		
45132-LBA7-900	1	F04		46503-KCW3-001	0	F15	50614-LDB5-E00	9	F22		
45133-LBA7-900	0	F08		46503-LDB5-E00	2	F15	50615-LDB5-E00	9	F22		
45200-LFE9-E00	2	F07		46514-LDB5-E00	2	F15	50713-LDB5-E00	1	F15		
45209-LFE9-E00	0	F07	47000			51000					
45209-PWA1-900	0	F08		47215-KHD6-900	0		F15	51400-LFE9-E00	2	F06	
45230-LBA7-900	0	F08		47216-LFE9-900	0		F15				
45352-LBA7-900	0	F08		47400-PWB1-900	3		F06	52000			
45353-LBA7-900	0	F08		47410-LDB5-E00	2		F07				
45513-KKC4-900	0	F04		47410-LDB5-E00	2		F08		52101-LFE9-E00	0	F18
45517-KFAF-910	0	F04		47452-PWB1-900	2		F17		52103-PWB1-900	2	F06
45517-LDE9-E00	0	F04									
45520-KKC4-900	0	F04									

PART NO. INDEX

PART NO.	VERSION	PAGE	PART NO.	VERSION	PAGE	PART NO.	VERSION	PAGE
52103-PWB1-900	2	F17	53251-LCA5-E00	1	F06	54600-LFE9-E00	1	F17
52104-PWB1-900	2	F06	53252-LBA7-900	4	F06	54601-LFE9-E00	0	F17
52104-PWB1-900	2	F17	53254-LBA7-900	3	F06	54602-LFE9-E00	0	F17
52108-PWB1-900	3	F06	53261-PWB1-900	2	F06	54610-LFE9-E00	0	F17
52108-PWB1-900	3	F17	53261-PWB1-900	2	F22	54620-LFE9-E00	0	F17
52144-PWB1-900	2	F06	53400-LFE9-E00	1	F06			
52144-PWB1-900	2	F17	53410-PWB1-900	2	F06	60000		
52400-LFE9-E00	3	F17	53450-LFE9-E00	1	F06			
53000			53500-LFE9-E00	1	F06	60100-LDB5-E00	5	F05
			53550-LFE9-E00	1	F06	60103-LFE9-E00	2	F05
			53600-KKAK-E0A	0	F21	60108-LDB5-E00	2	F05
53100-LFE9-E00	2	F03	53600-KKAK-E0B	1	F21	6010B-LDB5-E00	2	F05
53102-LFE9-E00	1	F03	53700-LFE9-E00	0	F06	6010C-LDB5-E00	3	F05
53131-4K39-001	0	F03	53701-LFE9-E00	0	F06	60120-LDB5-E00	3	F05
53166-LDB5-E00	0	F03	53702-LBA7-900	1	F15	60130-LFE9-E00	0	F05
53175-LDB5-900	0	F04	53702-LFE9-E00	0	F06	60140-LFE9-E00	0	F05
53178-KEBE-900	0	F04	53703-LBA7-900	1	F15	60200-LDB5-E00	2	F05
53190-LDE9-E00	0	F04	53703-LFE9-E00	0	F06			
53192-LDE9-E00	0	F04	53705-PWB1-900	1	F06	61000		
53193-LDE9-E00	0	F04						
53194-LDE9-E00	0	F04	54000			61104-3G57-001	0	F10
5319A-LDE9-E00	3	F04				61200-LDB5-E00	2	F05
53200-LFE9-E00	4	F06	54400-LFE9-E00	0	F17	61200-LDB5-E00	3	F05
53205-LDB5-E00	3	F03	54450-LFE9-E00	2	F17	61300-LDB5-E00	2	F05
53250-PWB1-900	1	F06	54500-LFE9-E00	0	F17	61300-LDB5-E00	3	F05
53250-PWB1-900	1	F22	54550-LFE9-E00	2	F17	61344-LDB5-E00	1	F23

PART NO. INDEX

PART NO.	VERSION	PAGE	PART NO.	VERSION	PAGE	PART NO.	VERSION	PAGE
61345-LFE9-E00	2	F23	77430-LDB5-E00	2	F22	83000		
64000			77430-LDB5-E60	1	F22			
			80000			83500-LDB5-E00	2	F12
64300-LFE9-E00	3	F05				83551-LDB5-E00	1	F05
64302-LDB5-E00	3	F05	80100-LDB5-E00	5	F12	83600-LDB5-E00	2	F12
6430A-LDB5-E00	1	F05	80110-LBA7-900	1	F12	83605-LDB5-E00	1	F12
64317-LDB5-E00	5	F23	80110-LDB5-900	1	F05	83606-LDB5-E00	1	F12
64318-LDB5-E00	1	F23	80110-LDB5-900	1	F12	83620-LDB5-E00	1	F22
64330-LFE9-E00	0	F05	80115-LDB5-900	1	F05	83620-LFE9-E00	1	F22
64340-LFE9-E00	0	F05	80115-LDB5-900	1	F12	83630-LDB5-E00	1	F22
			80121-LDB5-E00	5	F12			
70000			80122-LDB5-E00	5	F12	84000		
			8013A-LFE9-E00	1	F12			
70529-6G57-671	0	F12	80200-LDB5-E00	2	F12	84703-LLB1-900	1	F03
						84703-LLB1-900	1	F22
77000			81000			84703-LLB1-900	1	F23
						85000		
77200-LFE9-E00	0	F09	81200-LDB5-E00	2	F12			
77206-KEB7-900	0	F09	81202-LDB5-E00	1	F22			
77206-LBA7-900	1	F09	81300-LDB5-E00	2	F12	85100-LDB5-E00	4	F22
77301-LDB5-E00	3	F09	81700-LEE8-E00	0	F24	85100-LFE9-E00	1	F22
77303-LDB5-E00	1	F09	81702-LEE8-E00	0	F24	85101-LCA5-E00	2	F22
77305-LDB5-E00	1	F09	81704-PWB1-900	0	F24			
77330-LDB5-E00	4	F22	81706-PWB1-900	0	F24			
7734A-LDB5-E00	2	F12	8171A-LEE8-E00	0	F24			

PART NO. INDEX

PART NO.	VERSION	PAGE	PART NO.	VERSION	PAGE	PART NO.	VERSION	PAGE
86000			88000			90033-GFY6-900	0	E02
86102-LDB5-900	1	F27	88110-LBA7-E00	1	F03	90033-GFY6-941	0	E02
86102-LDB5-900	3	F27	88120-LBA7-E00	1	F03	90071-MLB0-001	0	E06
86223-LFE9-E61	0	F27				90083-KED9-900	2	E02
86233-LFE9-E61	1	F27	89000			90084-4H28-001	0	E02
86302-LDB5-E00	1	F27				90084-4H28-001	0	E04
86303-LDB5-E00	2	F27	89010-LFE9-E00	1	F09	9008A-LDB5-E00	1	E04
			89020-KKC4-900	1	F09	90101-LCA5-E00-06	2	F15
87000						90105-PWB1-900	4	F07
			90000			90105-PWB1-900	4	F08
87322-LBA7-E00	2	F26				90110-PWB1-900	1	F12
87503-LDB5-900	2	F27	90001-GBHB-661	0	E03	90112-LBD4-800	1	F18
87505-LFE9-E01	1	F26	90001-GBHB-661	0	E06	90114-1F66-007	2	F04
87514-LFE9-E02	2	F26	90001-GFY6-901	1	E01	90114-1F66-007	2	F15
87515-LDB5-E01	2	F26	90001-LBA2-E00	2	E02	90122-KEBE-900	2	F08
87517-LDB5-E00	2	F26	90002-LBA2-E00	2	E02	90131-KEBE-900	2	F08
87529-LFE9-M30	1	F26	90004-LBA2-E00	3	E01	90131-LDB5-E00	1	F07
87532-LBE8-900	2	F27	90005-KEC8-900	1	E03	90133-LDB5-E00	1	E01
87532-LCA5-900	1	F27	9000A-KTDT-900	1	E01	90145-LBA2-E00	2	F04
87556-LDB5-E00	1	F26	90011-KED9-900	1	E02	90145-MKS9-61A-06	1	F04
87556-LDB5-E01	2	F26	90012-3C33-001	0	E02	90164-0H28-900	2	F21
			90017-KED9-900	3	E02	90201-KHR8-75A	0	E04
			90031-LBA2-E00	3	E02	90202-LDB5-E00	1	E05
			90032-LBA2-E00	3	E02	90203-LDB5-E00	4	E05
						90203-LDB5-E00	4	E08
						90205-LDB5-E00	2	E05

PART NO. INDEX

PART NO.	VERSION	PAGE	PART NO.	VERSION	PAGE	PART NO.	VERSION	PAGE
90206-0A01-001	1	E02	90318-LDB5-E00	1	E08	90501-LDB5-E00	2	E05
90242-LDB5-E00	2	F16	90319-LDB5-E00	1	E08	9052A-LDB5-E00	1	E01
90243-LDB5-E00	1	E01	90320-LDB5-E00	1	E08	90545-3L00-001	2	F04
90301-6C93-001	1	F22	90321-LDB5-E00	1	E08	90605-KED9-900	2	E07
90301-PWB1-900	1	F07	90322-LDB5-E00	1	E08	90651-LCA5-E00	1	F01
90301-PWB1-900	1	F08	90401-KKJ9-001	0	E04	90651-LCA5-E00	1	F12
90302-GBR2-001	1	F10	90403-KED9-900	2	E02	90651-LEE8-E00	0	F13
90302-GBR2-001	1	F15	90405-LDB5-E00	6	E05	90652-LBA2-E00	1	E02
90302-GFY6-940	1	F03	90406-LDB5-E00	1	E05	90652-LCA4-E00	1	F05
90302-LLB1-E00-06	2	F15	90407-LBA2-E00	2	E01	90652-LCA4-E00	1	F12
90302-PWA1-900	2	F05	90407-LDB5-E00	0	E01	90652-LCA4-E00	1	F23
90302-PWA1-900	2	F12	90408-LDB5-900	3	E05	90652-LDB5-900	2	F12
90304-GHE8-004	0	F06	90421-KAM1-004	0	F18	90652-LDB5-E00	3	F23
90304-GHE8-004	0	F17	90433-KAE1-001	0	E07	90652-LLJ3-E00	0	F13
90304-GHE8-004	0	F22	90441-LDB5-E00	3	E01	90653-LDB5-E00	3	F23
90304-PWB1-900	2	F06	90443-LDB5-E00	2	E01	90654-LDB5-E00	2	F13
90305-GHK8-001	1	F05	90451-LDB5-E00	1	E07	90655-PWA2-900	1	F05
90306-KLF0-004-SY	1	E01	90452-KED9-900	2	E07	90655-PWA2-900	1	F12
90309-LBE8-900	1	F22	90454-1G07-001	0	E07	90656-KCBC-900	0	F03
90311-LDB5-E00	1	E08	90465-LBA2-E00	1	E02	90677-GAR1-004	1	F05
90312-LDB5-E00	1	E08	90465-MDC4-001	0	E01	90677-GAR1-004	1	F12
90313-LDB5-E00	1	E08	90474-3C33-001	1	E01	90701-9E65-001	0	E01
90314-LDB5-E00	1	E08	90474-3C33-001	1	F16	90701-LDB5-E00	4	E03
90315-LDB5-E00	1	E08	90478-7L00-001	0	E03	90750-LDB5-E00	3	E01
90316-LDB5-E00	1	E08	90488-7L00-001	0	E02	90914-LFE9-E00	0	F23
90317-LDB5-E00	1	E08	90501-3L10-001	0	F15			

PART NO. INDEX

PART NO.	VERSION	PAGE	PART NO.	VERSION	PAGE	PART NO.	VERSION	PAGE	
91000			91305-GLE0-001	0	E01	93404-06020-06	1	F12	
			91306-1E05-691	0	E03	93406-LLB1-900	0	F03	
			91307-0E35-001	0	E04	93500-04010-1A	0	E09	
	91001-KHV8-004	0	E01	91308-KED9-900	1	E02	93500-05012-1A	0	E09
	91005-LDB5-E00	1	E01	91309-4E25-004	0	E06	93500-05016-0H	0	F10
	91021-LDB5-E00	2	E07	91313-KED9-900	3	E01	93600-04012-1G	0	F04
	91106-LDB5-E00	1	E05	91351-LDB5-E00	1	E05	93600-LDE9-E00	0	F04
	91107-LDB5-E00	0	E08	91407-SGA7-004	0	F10	93891-04012-07	0	E09
	91108-LEE8-E00	1	F16	91508-KGV7-67A	0	F20	93891-04030-08	0	E09
	91206-LDB5-E00	0	E01	91509-LDB5-E00	5	E01	93892-04008-18	0	E09
	91211-LDB5-E00	1	E05				93892-04012-08	0	E09
	91212-4B22-007	0	F15	92000			93893-04012-18	0	F04
	91251-LEE8-E00	3	F16				93893-04012-18	0	F15
	91255-LDB5-E00	1	E01	92101-05012-0H	0	E06	93903-34360	0	F05
	91256-LDB5-E00	1	E01	92201-05025-0H	0	E04	93903-34360	0	F12
	91257-LDB5-E00	2	E04				93903-35260	0	F05
	91258-LDB5-900	1	E05	93000			93903-35260	0	F20
	91261-LDB5-E00	2	E01				93903-35360	0	F01
	91261-LEE8-E00	3	F16	93404-06012-06	0	F13	93903-35360	0	F02
	91271-LEE8-E00	3	F16	93404-06012-06	0	F15	93903-35360	0	F05
91301-LDB5-E00	1	E04	93404-06012-06	0	F23	93903-35360	0	F12	
91302-0A01-021	0	E01	93404-06016-06	0	F05	93903-35360	0	F19	
91302-0A01-021	0	F16	93404-06016-06	0	F12				
91302-LDB5-E00	2	E08	93404-06016-06	0	F22	94000			
91303-3G77-001	0	E02	93404-06016-06	0	F23				
91303-3G77-001	0	E04	93404-06020-06	1	F05	94001-08080-0S	0	F14	

PART NO. INDEX

PART NO.	VERSION	PAGE	PART NO.	VERSION	PAGE	PART NO.	VERSION	PAGE
94001-08080-0S	0	F15	94102-14800	0	F15	94540-12028	0	E07
94001-LBA7-900	1	F15	94102-LDB5-E00	1	F15	94540-50029	0	E09
94001-PWB1-800	0	F06	94111-06800	0	F14	94591-27000	0	F05
94001-PWB1-900	4	F06	94111-08800	0	F15	94591-27000	0	F12
94003-PWB1-900	0	F24	94111-PWB1-900	0	F24	94591-KFBF-900	2	E04
94011-PWB1-900	1	F07	94201-20120	0	F15	94601-22000	1	E03
94011-PWB1-900	1	F08	94201-25200	0	F06			
94050-05080	0	F20	94201-25300	0	F15	95000		
94050-06060	0	F04	94201-30400	0	F07			
94050-06060	0	F15	94201-30400	0	F08	95002-02070	0	F23
94050-06080	0	E02	94301-08140	0	E01	95002-02070	0	F24
94050-06080	0	F10	94301-08140	0	E04	95002-02070	0	F25
94050-06080	0	F12	94301-08140	0	E05	95002-02090	0	E08
94050-06080	0	F21	94301-08140	0	E06	95002-02100	0	F05
94050-06080	0	F22	94301-10120	0	F18	95002-02100	0	F10
94050-08060	0	F22	94301-10160	0	E02	95002-02100	0	F23
94050-08080	0	F15	94301-12200	1	E02	95002-02130	0	F10
94050-08080	0	F22	94301-12200	1	E03	95002-02150	0	F13
94050-LDE9-E00	1	F12	94510-10000	0	E06	95002-40950-08	0	E08
94101-06200	0	F14	94510-25000	0	E07	95002-41050-00	0	F16
94101-06700	0	F14	94510-PWB1-900	0	F06	95002-45000	0	F23
94101-06800	0	F12	94520-40000	0	F22	95002-70000	0	F10
94101-08600	0	F22	94520-47000	0	E04	95002-70000	0	F23
94101-10800	0	F18	94520-55000	0	F17	95002-KHE7-900	0	E04
94101-LBA2-E00	1	F14	94520-65000	1	E01	95002-KHE7-900	0	F23
94101-PWB1-900	1	F06	94540-07017	1	E05	95002-KKD6-E05	0	F24

PART NO. INDEX

PART NO.	VERSION	PAGE	PART NO.	VERSION	PAGE	PART NO.	VERSION	PAGE	
95002-KKD6-E05	0	F25	95701-08025-06	0	F18	96000			
95004-LBA7-900	0	F13	95701-08028-06	1	F15				
95005-PWB1-900	1	F16	95701-08030-08	0	F16				
95008-PWB1-900	4	E08	95701-08035-06	1	F18		96001-06012-00	0	F14
95012-KKA7-900	1	F11	95701-10020-06	0	F06		96001-06012-08	0	E01
95701-06008-08	0	F14	95701-10020-06	0	F18		96001-06012-08	0	E06
95701-06012-00	0	F14	95701-10035-08	0	F16		96001-06014-08	0	E02
95701-06012-06	1	F04	95701-LDB5-E00	1	F15		96001-06016-08	0	E01
95701-06012-06	1	F10	95801-08028-06	0	F15		96001-06016-08	0	F21
95701-06012-06	1	F21	95801-08060-06	0	F06		96001-06018-08	0	E02
95701-06012-06	1	F22	95801-10030-06	0	F06		96001-06018-08	0	E05
95701-06012-06	1	F23	95801-10040-08	0	F06		96001-06020-06	0	F22
95701-06016-06	0	F15	95801-10040-08	0	F14		96001-06022-06	1	F04
95701-06016-06	0	F21	95801-10040-08	0	F17		96001-06022-08	0	E05
95701-06022-06	1	F10	95801-10065-08	0	F17		96001-06025-08	0	E01
95701-06022-08	0	E02	95801-10085-06	1	F06		96001-06025-08	0	E04
95701-06025-08	0	E02	95801-10085-06	1	F17		96001-06025-08	0	E05
95701-06040-06	0	F04	95801-10090-06	0	F22		96001-06030-08	0	E01
95701-06040-08	0	E02	95801-10095-06	0	F17		96001-06032-08	0	E01
95701-08012-08	0	E01	95801-10110-06	0	F22	96001-06032-08	0	E04	
95701-08012-08	0	F16	95801-10195-06	0	F22	96001-06032-08	0	E05	
95701-08016-06	0	F17	95801-KED9-900	2	E02	96001-06032-08	0	E06	
95701-08016-06	0	F22	95802-PWB1-900	2	F06	96001-06035-08	0	E06	
95701-08020-06	1	F06	95802-PWB1-900	2	F17	96001-06040-08	0	E01	
95701-08020-06	1	F15				96001-06040-08	0	E03	
95701-08020-06	1	F22				96001-06040-08	0	E04	

PART NO. INDEX

PART NO.	VERSION	PAGE	PART NO.	VERSION	PAGE	PART NO.	VERSION	PAGE
96001-06040-08	0	E06						
96001-06050-08	0	E01	98000					
96001-06080-08	0	E01						
96001-06085-08	0	E01	98059-57916-00	2	E02			
96001-06090-08	0	E01	98200-31000	1	F21			
96001-06110-08	0	E01	98200-31500	0	F21			
96100-60090-00	2	F16	98200-33000	0	F21			
96100-62040-00	0	E01						
96100-62100-00	0	F16						
96100-63030-00	0	E01						
96100-63040-00	1	E01						
96100-63060-00	0	E01						
96100-64050-00	1	E01						
96100-69060-00	1	E04						
96104-LDB5-90A	1	E05						
96104-LDB5-90B	1	E05						
96105-LDB5-90A	1	E05						
96105-LDB5-90B	1	E05						
96106-LDB5-E00	1	E01						
96107-LDB5-E00	1	E01						
96151-PWB1-900	2	F17						
96211-08000	0	F15						
96211-16000	2	E01						
96600-08010-10	1	E01						
96600-08015-10	1	E06						
96600-LDB5-E00	1	E01						