

PARTS CATALOGUE



SCOOTERS

SH25DR(FR)

GRAND DINK 125



Date : 2009/02/12

ABOUT THIS PARTS LIST

- This parts list is compiled all service parts for model SH25DR(FR).
- Any difference between color chart and motorcycle will be revised according to motorcycle.
- The sales mark:
 1. marking "***" must add color code in the end before ordering parts.
- When modification or additions to this parts list are made a revised edition at an appropriate time.

CONTENTS

● ABOUT THIS PARTS LIST	1
● COLOR CHART OF SH25DR(FR)	3
● CONTENTS-ENGINE GROUP	11
● CONTENTS-FRAME GROUP	12
● ENGINE PARTS LIST	15
● FRAME PARTS LIST	51
● PART NO. INDEX	127

NO	MODEL			SH25DR(FR) COLOR CHART			
	PHOTO NO			NO. 1	NO. 2	NO. 3	NO. 4
	BASIC COLOR			Bright Blue	Deep Blue Metallic	Dark Gray Metallic	Black
	CODE			Bright Blue	Deep Blue Metallic	Dark Gray Metallic	Black
	PARTS NAME	PARTS NO.	VERSION	PB107MA	PB183MA	NH230MA	NH001SA
1	CUSHION ASSY R RR	52400-KKC2-E00	2	F1S			
2	CUSHION ASSY L RR	52500-KKC2-E00	3				
3	LEVER R STRG HNDL	53175-KFA5-E10	0	M3A			
4	LEVER L STRG HNDL	53178-KFC8-E10	0				
5	BRACKET RR	43210-KEBE-900	2	N1A			
6	FENDER FR	61110-KHD8-900	2	BAM	BHP	HKP	N1P
7	MOLDING FR	64302-LFD9-E00	2				
8	MIRROR ASSY R BACK	88110-LFD9-E00	2				
9	MIRROR ASSY L BACK	88120-LFD9-E00	4				
10	COVER SCREEN	64301-KKC4-900	0	BAP	BHP	HKP	N1P
11	SKIRT R SIDE	64305-KKC4-900	2				
12	SKIRT L SIDE	64306-KKC4-900	2				
13	COWL UNDER	64400-KKC4-900	0				
14	COVER R BODY	83500-KKC4-800	2				
15	COVER L BODY	83600-KKC4-800	2				
16	COVER RR CENTER	83750-KKC4-900	1				
17	DUCT COOLING AIR	19102-LFD9-E00	2				
18	GRIP COMP THROT	53140-KKC3-900	0	N1R			
19	GRIP L HANDLE	53166-KGB5-900	0				
20	COVER METER	53204-KKC4-900	2				
21	COVER R HANDLE LOW	53206-KKC4-900	1				
22	COVER L HANDLE LOW	53207-KKC4-900	0				
23	GRID R METER COVER	53214-KKC4-900	0				
24	GRID L METER COVER	53224-KKC4-900	0				
25	"LID, FR. MOLDING "	64303-LFD9-E00	2				
DATE OF STARTING-SALES							
DATE OF END-SALES							

NO	MODEL			SH25DR(FR) COLOR CHART			
	PHOTO NO			NO. 5	NO. 6	NO. 7	NO. 8
	BASIC COLOR			Bright Silver	Dark Gray Metallic	Ruby Red	Yellow Green
	CODE			Bright Silver	Dark Gray Metallic	Ruby Red	Yellow Green
	PARTS NAME	PARTS NO.	VERSION	NH045MA	NH124MA	RR004CA	YG025MA
1	CUSHION ASSY R RR	52400-KKC2-E00	2	F1S			
2	CUSHION ASSY L RR	52500-KKC2-E00	3				
3	LEVER R STRG HNDL	53175-KFA5-E10	0	M3A			
4	LEVER L STRG HNDL	53178-KFC8-E10	0				
5	BRACKET RR	43210-KEBE-900	2	N1A			
6	FENDER FR	61110-KHD8-900	2				
7	MOLDING FR	64302-LFD9-E00	2	N8P			
8	MIRROR ASSY R BACK	88110-LFD9-E00	2				
9	MIRROR ASSY L BACK	88120-LFD9-E00	4				
10	COVER SCREEN	64301-KKC4-900	0				
11	SKIRT R SIDE	64305-KKC4-900	2				
12	SKIRT L SIDE	64306-KKC4-900	2				
13	COWL UNDER	64400-KKC4-900	0				
14	COVER R BODY	83500-KKC4-800	2				
15	COVER L BODY	83600-KKC4-800	2				
16	COVER RR CENTER	83750-KKC4-900	1				
17	DUCT COOLING AIR	19102-LFD9-E00	2				
18	GRIP COMP THROT	53140-KKC3-900	0				
19	GRIP L HANDLE	53166-KGB5-900	0				
20	COVER METER	53204-KKC4-900	2				
21	COVER R HANDLE LOW	53206-KKC4-900	1				
22	COVER L HANDLE LOW	53207-KKC4-900	0				
23	GRID R METER COVER	53214-KKC4-900	0				
24	GRID L METER COVER	53224-KKC4-900	0				
25	"LID, FR. MOLDING "	64303-LFD9-E00	2				
DATE OF STARTING-SALES							
DATE OF END-SALES							

NO	MODEL			SH25DR(FR) COLOR CHART							
	PHOTO NO			NO. 1	NO. 2	NO. 3	NO. 4				
	BASIC COLOR			Bright Blue	Deep Blue Metallic	Dark Gray Metallic	Black				
	CODE			Bright Blue	Deep Blue Metallic	Dark Gray Metallic	Black				
	PARTS NAME	PARTS NO.	VERSION	PB107MA	PB183MA	NH230MA	NH001SA				
26	"GRILLE, R FR.	64307-LFD9-E00	1	N1R							
27	"GRILLE, L FR.	64308-LFD9-E00	1								
28	FLOOR PANEL	64310-KKC4-900	0								
29	COVER R PILLION STEP	64311-KKC4-900	3								
30	GRID R PILLION STEP	64312-KKC4-900	3								
31	MAT FLOOR	64320-KKC4-900	0								
32	COVER L PILLION STEP	64321-KKC4-900	3								
33	GRID L PILLION STEP	64322-KKC4-900	1								
34	FENDER RR TIRE	80100-KKC4-900	4								
35	FENDER RR UP	80101-KKC4-800	3								
36	FENDER RR	80105-KKC4-E00	0								
37	COVER CENTER	80151-KKC4-900	0								
38	LEG SHIELD	81131-KKC4-900	0								
39	LID LEG SHIELD	81132-KEB7-900	1								
40	LID RESERVE TANK	81136-KKC4-900	0								
41	GRID R LEG SHIELD	81137-KKC4-900	0								
42	GRID L LEG SHIELD	81147-KKC4-900	0								
43	SIDE R GRIP	81400-KKC4-900	0								
44	SIDE L GRIP	81500-KKC4-900	0								
45	BAND HARNESS WIRE	90656-KUDU-900	0								
46	COVER L	11341-KKC3-900	7					N8A			
47	METER COVER FR	37203-KKC3-900	0					N8P			
48	METER COVER RR	37204-KKC3-900	0								
49	COVER HNDL UP	53205-KKC4-900	2								
50	GRILL HANDLE UP	53208-KKC4-900	0								
DATE OF STARTING-SALES											
DATE OF END-SALES											

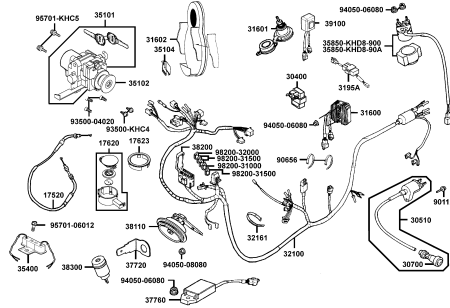
NO	MODEL			SH25DR(FR) COLOR CHART							
	PHOTO NO			NO. 5	NO. 6	NO. 7	NO. 8				
	BASIC COLOR			Bright Silver	Dark Gray Metallic	Ruby Red	Yellow Green				
	CODE			Bright Silver	Dark Gray Metallic	Ruby Red	Yellow Green				
	PARTS NAME	PARTS NO.	VERSION	NH045MA	NH124MA	RR004CA	YG025MA				
26	"GRILLE, R FR.	64307-LFD9-E00	1	N1R							
27	"GRILLE, L FR.	64308-LFD9-E00	1								
28	FLOOR PANEL	64310-KKC4-900	0								
29	COVER R PILLION STEP	64311-KKC4-900	3								
30	GRID R PILLION STEP	64312-KKC4-900	3								
31	MAT FLOOR	64320-KKC4-900	0								
32	COVER L PILLION STEP	64321-KKC4-900	3								
33	GRID L PILLION STEP	64322-KKC4-900	1								
34	FENDER RR TIRE	80100-KKC4-900	4								
35	FENDER RR UP	80101-KKC4-800	3								
36	FENDER RR	80105-KKC4-E00	0								
37	COVER CENTER	80151-KKC4-900	0								
38	LEG SHIELD	81131-KKC4-900	0								
39	LID LEG SHIELD	81132-KEB7-900	1								
40	LID RESERVE TANK	81136-KKC4-900	0								
41	GRID R LEG SHIELD	81137-KKC4-900	0								
42	GRID L LEG SHIELD	81147-KKC4-900	0								
43	SIDE R GRIP	81400-KKC4-900	0								
44	SIDE L GRIP	81500-KKC4-900	0								
45	BAND HARNESS WIRE	90656-KUDU-900	0								
46	COVER L	11341-KKC3-900	7					N8A			
47	METER COVER FR	37203-KKC3-900	0					N8P			
48	METER COVER RR	37204-KKC3-900	0								
49	COVER HNDL UP	53205-KKC4-900	2								
50	GRILL HANDLE UP	53208-KKC4-900	0								
DATE OF STARTING-SALES											
DATE OF END-SALES											

NO	MODEL			SH25DR(FR) COLOR CHART			
	PHOTO NO			NO. 1	NO. 2	NO. 3	NO. 4
	BASIC COLOR			Bright Blue	Deep Blue Metallic	Dark Gray Metallic	Black
	CODE			Bright Blue	Deep Blue Metallic	Dark Gray Metallic	Black
	PARTS NAME	PARTS NO.	VERSION	PB107MA	PB183MA	NH230MA	NH001SA
51	WHEEL RR CAST	42601-KHD8-90A	3	NJA			
52	WHEEL RR CAST	42601-KHD8-90B	2				
53	WHEEL RR CAST	42601-KHD8-90C	2				
54	CALIPER ASSY RR	43100-KEBE-910	1				
55	WHEEL SET FR	44650-KHD8-30A	3				
56	WHEEL SET FR	44650-KHD8-30C	4				
57	CALIPER ASSY FR	45200-KKC2-E00	1				
58	FORK ASSY R FR	51400-KKC4-900	2				
59	BOTTOM CASE R	51420-KKC4-900	0				
60	FORK SET L FR	5150A-KKC4-900	3				
61	BOTTOM CASE L	51520-KKC4-900	0				
62	FORK ASSY REAR	52000-KKC3-900	3				
63	CARRIER ASSY RR	8120A-KKC4-900	6				
64	SEAT ASSY	77200-KKC4-B23	1				
65	SEAT ASSY BACK	77210-KKC4-900	0				
66	SEAT ASSY PAD	77220-KKC4-910	1				
67	HINGE ASSY SEAT	77300-KKC4-800	1				
68	EMB HANDLE COVER	86030-KKC4-900	2				
69	EMB K-LOGO 28MM	86102-LEA5-E00	1				
70	EMB BODY COVER	86202-LFD9-E00	0				
71	EMB MARK 125S	87140-LFD9-E00	0				
72	CAUTION ANTI	87224-LFD9-EY1	0				
73	STRIPE MARK EURO3	87311-LCD3-E00	1				
74	LABEL TIRE	87505-KHE7-E00	1				
75	LABEL CLEANNESS	87508-KKC4-E00	1				
DATE OF STARTING-SALES							
DATE OF END-SALES							

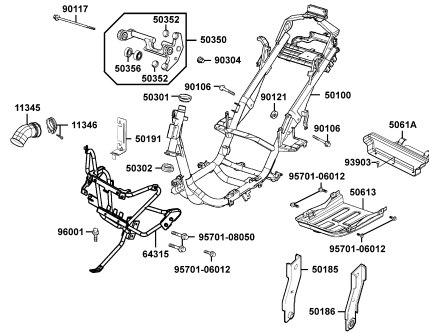
NO	MODEL			SH25DR(FR) COLOR CHART			
	PHOTO NO			NO. 5	NO. 6	NO. 7	NO. 8
	BASIC COLOR			Bright Silver	Dark Gray Metallic	Ruby Red	Yellow Green
	CODE			Bright Silver	Dark Gray Metallic	Ruby Red	Yellow Green
	PARTS NAME	PARTS NO.	VERSION	NH045MA	NH124MA	RR004CA	YG025MA
51	WHEEL RR CAST	42601-KHD8-90A	3	NJA			
52	WHEEL RR CAST	42601-KHD8-90B	2				
53	WHEEL RR CAST	42601-KHD8-90C	2				
54	CALIPER ASSY RR	43100-KEBE-910	1				
55	WHEEL SET FR	44650-KHD8-30A	3				
56	WHEEL SET FR	44650-KHD8-30C	4				
57	CALIPER ASSY FR	45200-KKC2-E00	1				
58	FORK ASSY R FR	51400-KKC4-900	2				
59	BOTTOM CASE R	51420-KKC4-900	0				
60	FORK SET L FR	5150A-KKC4-900	3				
61	BOTTOM CASE L	51520-KKC4-900	0				
62	FORK ASSY REAR	52000-KKC3-900	3				
63	CARRIER ASSY RR	8120A-KKC4-900	6				
64	SEAT ASSY	77200-KKC4-B23	1				
65	SEAT ASSY BACK	77210-KKC4-900	0				
66	SEAT ASSY PAD	77220-KKC4-910	1				
67	HINGE ASSY SEAT	77300-KKC4-800	1				
68	EMB HANDLE COVER	86030-KKC4-900	2				
69	EMB K-LOGO 28MM	86102-LEA5-E00	1				
70	EMB BODY COVER	86202-LFD9-E00	0				
71	EMB MARK 125S	87140-LFD9-E00	0				
72	CAUTION ANTI	87224-LFD9-EY1	0				
73	STRIPE MARK EURO3	87311-LCD3-E00	1				
74	LABEL TIRE	87505-KHE7-E00	1				
75	LABEL CLEANNESS	87508-KKC4-E00	1				
DATE OF STARTING-SALES							
DATE OF END-SALES							

CONTENTS - FRAME GROUP

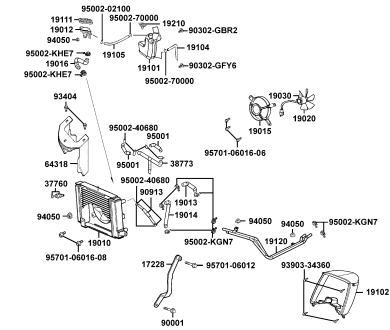
F19 Wire Harness



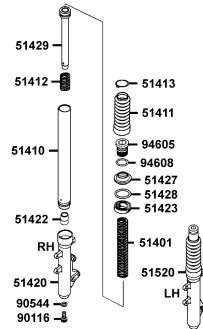
F20 Frame Body



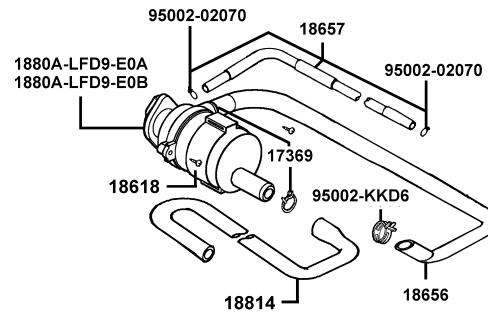
F21 Radiator



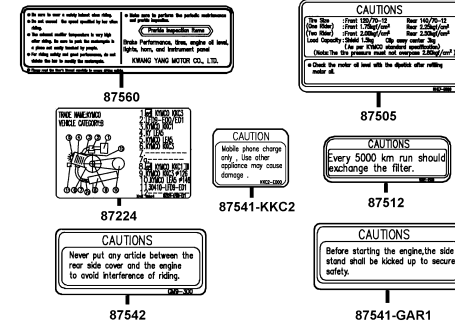
F22 Separated Parts Of Fr Fork



F23 Air Cleaner Two



F24 Caution Label

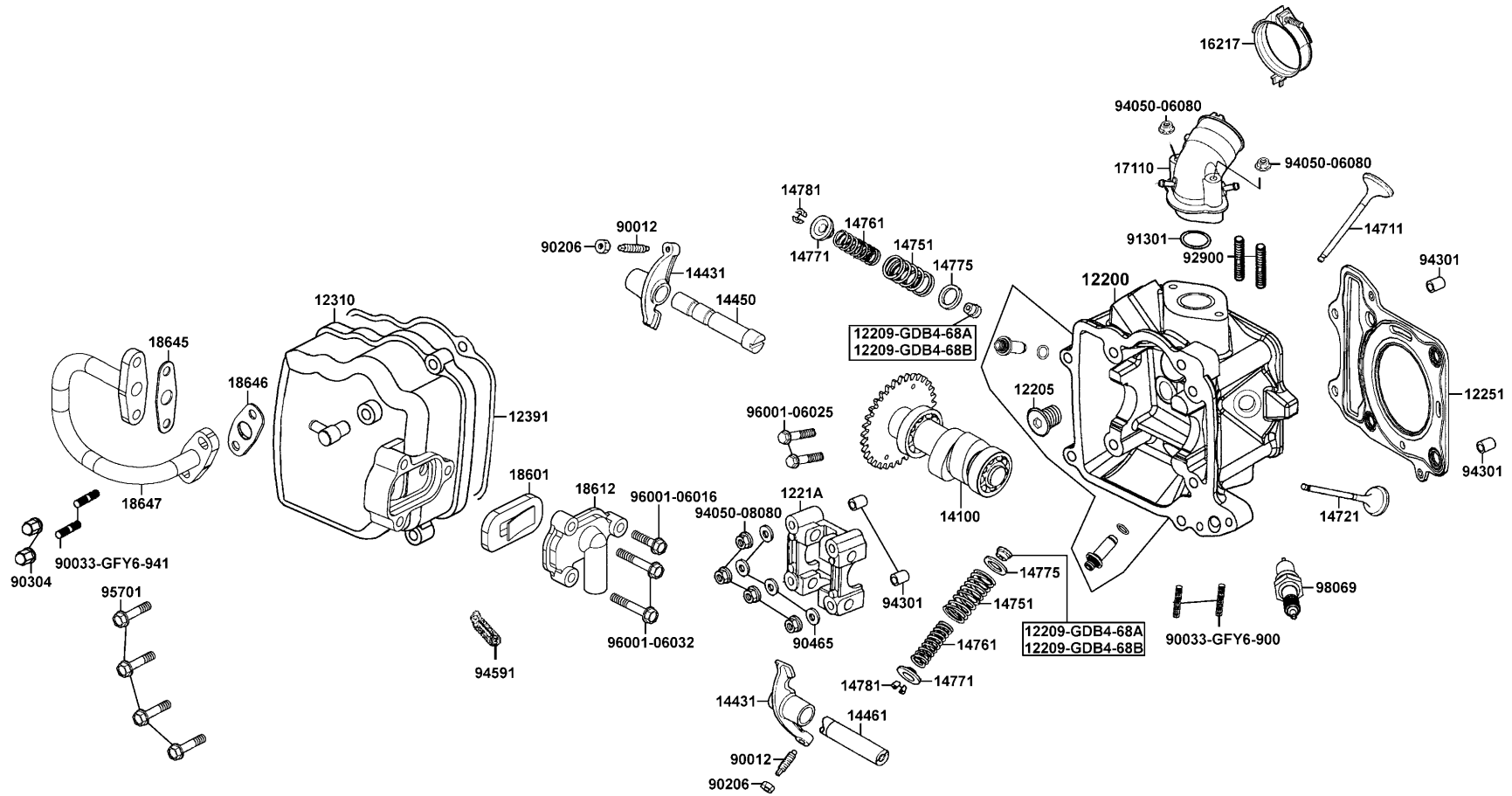


F25 Emblem/Stripe



Sales mark	Ref no	Part no	Ver	Description	Reg description	Regd no	E01
	11100	11100-KKC1-305	1	CRANK CASE ASSY R	CRANK CASE ASSY R	1	
	11102	11102-1G87-004	3	RUB BUSH ENG HANGER	RUB BUSH ENG HANGER	2	
	11192	11192-LEA5-E00	2	GASKET CRANK CASE @	GASKET CRANK CASE @	1	
	11200	11200-KKC3-315	0	CASE SET L CRANK	CASE SET L CRANK	1	
	11203	11203-GGC7-301	2	UNDER RUBBER BUSH REAR	UNDER RUBBER BUSH REAR	1	
**	11341	11341-KKC3-900	7	COVER L	COVER L	1	
	11342	11342-LEA6-900	2	PLATE COVER L	PLATE COVER L	1	
	11383	11383-KUDU-900	0	CLAMPER BRTH DRAIN TUBE	CLAMPER BRTH DRAIN TUBE	1	
	11395	11395-LEA5-E00	1	GASKET L COVER @	GASKET L COVER @	1	
	1541A	1541A-KKC3-900	1	ELEMENT ASSY OIL FILTER	ELEMENT ASSY OIL FILTER	1	
	15421	15421-KKC3-900	1	CAP OIL FILTER	CAP OIL FILTER	1	
	15422	15422-KKC3-900	3	O RING 53.65*2.62	O RING 53.65*2.62	1	
	15423	15423-KKC3-900	1	SPRING CAP OIL	SPRING CAP OIL	1	
	28223	28223-KNBN-901	0	SPG KICK DRIVEN GEAR	SPG KICK DRIVEN GEAR	1	
	28230	28230-KNBN-901	0	GEAR COMP KICK DRIVEN	GEAR COMP KICK DRIVEN	1	
	28250	28250-KFC8-900	1	SPINDLE COMP KICK STARTER	SPINDLE COMP KICK STARTER	1	
	28253	28253-GBN2-60A	0	BUSH KICK SPINDLE	BUSH KICK SPINDLE	1	
	28255	28255-GFS6-001	0	COLLAR KICK BOSS	COLLAR KICK BOSS	1	
	28281	28281-LEA5-E00	1	SPG KICK RETURN	SPG KICK RETURN	1	
	50504	50504-KKC3-900	2	STOPPER MAIN STAND	STOPPER MAIN STAND	1	

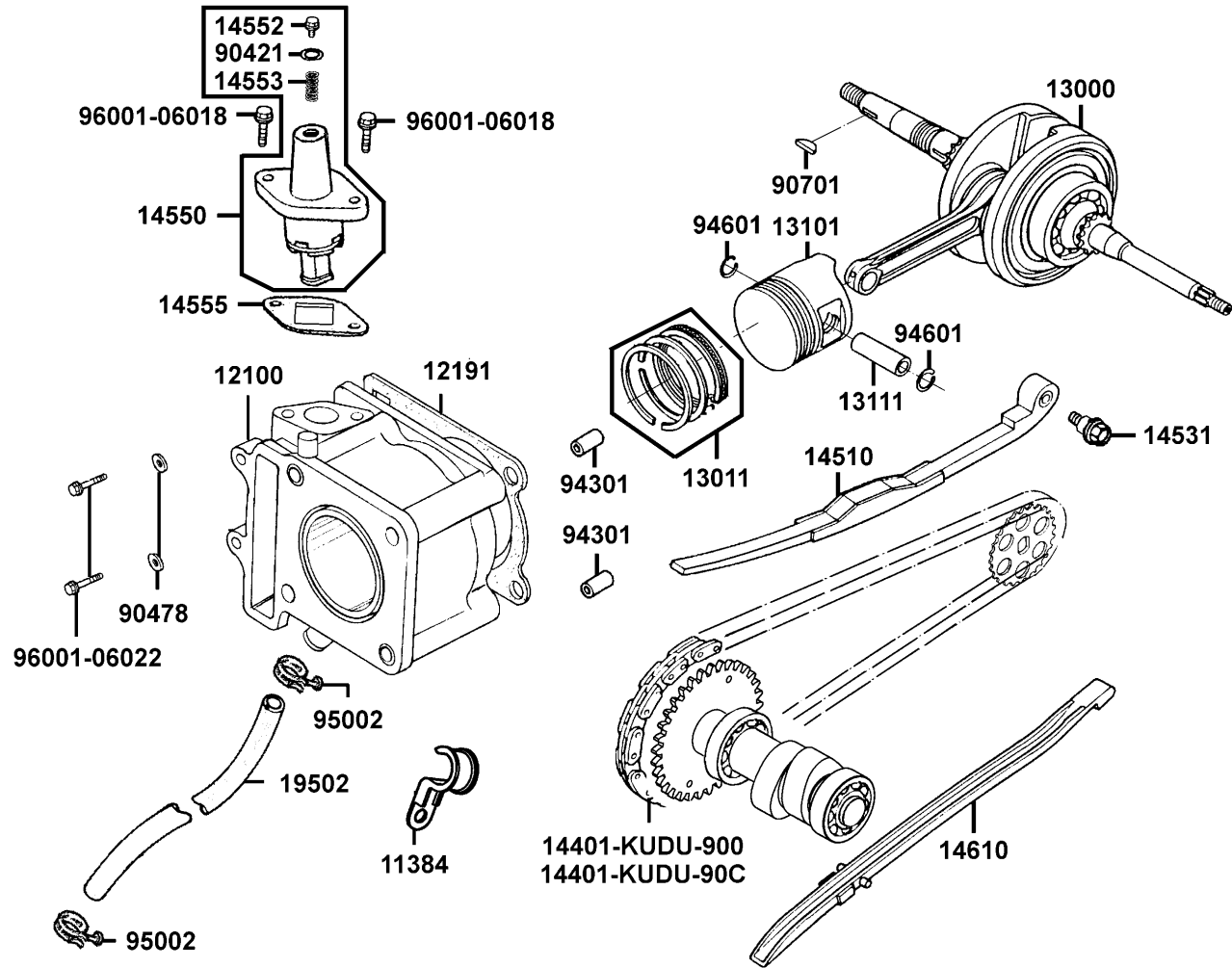
Sales mark	Ref no	Part no	Ver	Description	Reg description	Regd no	E01
	90031	90031-KEBE-900	0	BOLT A STUD 8MM	BOLT A STUD 8MM	3	
	90032	90032-KEBE-900	0	BOLT B STUD 8MM	BOLT B STUD 8MM	1	
	90412	90412-3K29-001	0	WASHER THRUST10MM	WASHER THRUST10MM	1	
	90451	90451-GBN2-601	0	WASHER KICK SPINDLE	WASHER KICK SPINDLE	1	
	9052A	9052A-GFY6-950	1	BOLT ASSY DRAIN PLUG	BOLT ASSY DRAIN PLUG	1	
	91104	91104-KGN7-671	0	BRG BALL RADIAL 6204	BRG BALL RADIAL 6204	1	
	91202	91202-KKJ9-004	0	OIL SEAL 20*32*6	OIL SEAL 20*32*6	1	
	91261	91261-4E15-004	0	OIL SEAL 25*40*8	OIL SEAL 25*40*8	1	
	94301	94301-08140	0	DOWEL PIN 8*14	DOWEL PIN 8*14	4	
	94511	94511-14000	0	CIRCLIP EX 14	CIRCLIP EX 14	1	
#	95701	95701-08012-08	0	BOLT FLANGE 8*12	BOLT FLANGE 8*12	1	
	96001-06016	96001-06016-08	0	BOLT FLANGE SH 6*16	BOLT FLANGE SH 6*16	5	
	96001-06040	96001-06040-08	0	BOLT FLANGE 6*40	BOLT FLANGE 6*40	8	
	96001-06050	96001-06050-08	0	BOLT FLANGE 6*50	BOLT FLANGE 6*50	2	
	96001-06060	96001-06060-08	0	BOLT FLANGE SH 6*60	BOLT FLANGE SH 6*60	2	
	96001-06120	96001-06120-08	0	BOLT FLANGE SH 6*120	BOLT FLANGE SH 6*120	2	
	96001-06125	96001-06125-08	0	BOLT FLANGE SH 6*125	BOLT FLANGE SH 6*125	1	
	96001-LEA6	96001-LEA6-900	1	BOLT SPECIAL 6*8	BOLT SPECIAL 6*8	3	
	96100	96100-62030-00	0	BRG BALL RADIAL 6203	BRG BALL RADIAL 6203	1	



Sales mark	Ref no	Part no	Ver	Description	Reg description	Regd no	E02
	12200	12200-LEA5-E00	3	HEAD COMP CYLN	HEAD COMP CYLN	1	
	12205	12205-KHE8-301	1	BOLT SEALING 12MM	BOLT SEALING 12MM	1	
	12209-GDB4-68A	12209-GDB4-68A	0	SEAL VALVE STEM	SEAL VALVE STEM	2	
	12209-GDB4-68B	12209-GDB4-68B	0	SEAL VALVE STEM	SEAL VALVE STEM	2	
	1221A	1221A-KEBE-900	1	HOLDER CAM SHAFT COMP	HOLDER CAM SHAFT COMP	1	
	12251	12251-LEA5-E00	1	GASKET CYLINDER HEAD	GASKET CYLINDER HEAD	1	
	12310	12310-KEBE-900	5	COVER COMP CYLN HEAD	COVER COMP CYLN HEAD	1	
	12391	12391-KEBE-900	0	GASKET HEAD COVER	GASKET HEAD COVER	1	
	14100	14100-LEA6-910	1	SHAFT COMP CAM	SHAFT COMP CAM	1	
	14431	14431-KKC1-900	0	ARM VALVE ROCKER	ARM VALVE ROCKER	2	
	14450	14450-KEBE-900	0	SHAFT COMP IN ROCKER ARM	SHAFT COMP IN ROCKER ARM	1	
	14461	14461-KEBE-900	0	SHAFT EX ROCKER ARM	SHAFT EX ROCKER ARM	1	
	14711	14711-KKC2-800	1	VALVE INLET	VALVE INLET	1	
	14721	14721-KAAA-900	3	VALVE EXHAUST	VALVE EXHAUST	1	
	14751	14751-KKJ9-003	1	SPG VALVE OUTER	SPG VALVE OUTER	2	
	14761	14761-KKJ9-003	1	SPG VALVE INNER	SPG VALVE INNER	2	
	14771	14771-GDB4-680	2	RETAINER VALVE SPRING	RETAINER VALVE SPRING	2	
	14775	14775-MFA6-001	0	SEAT VALVE SPG OUTER	SEAT VALVE SPG OUTER	2	
	14781	14781-MFA6-001	0	COTTER VALVE	COTTER VALVE	4	
	16217	16217-KKC2-800	1	BAND INSULATOR	BAND INSULATOR	1	

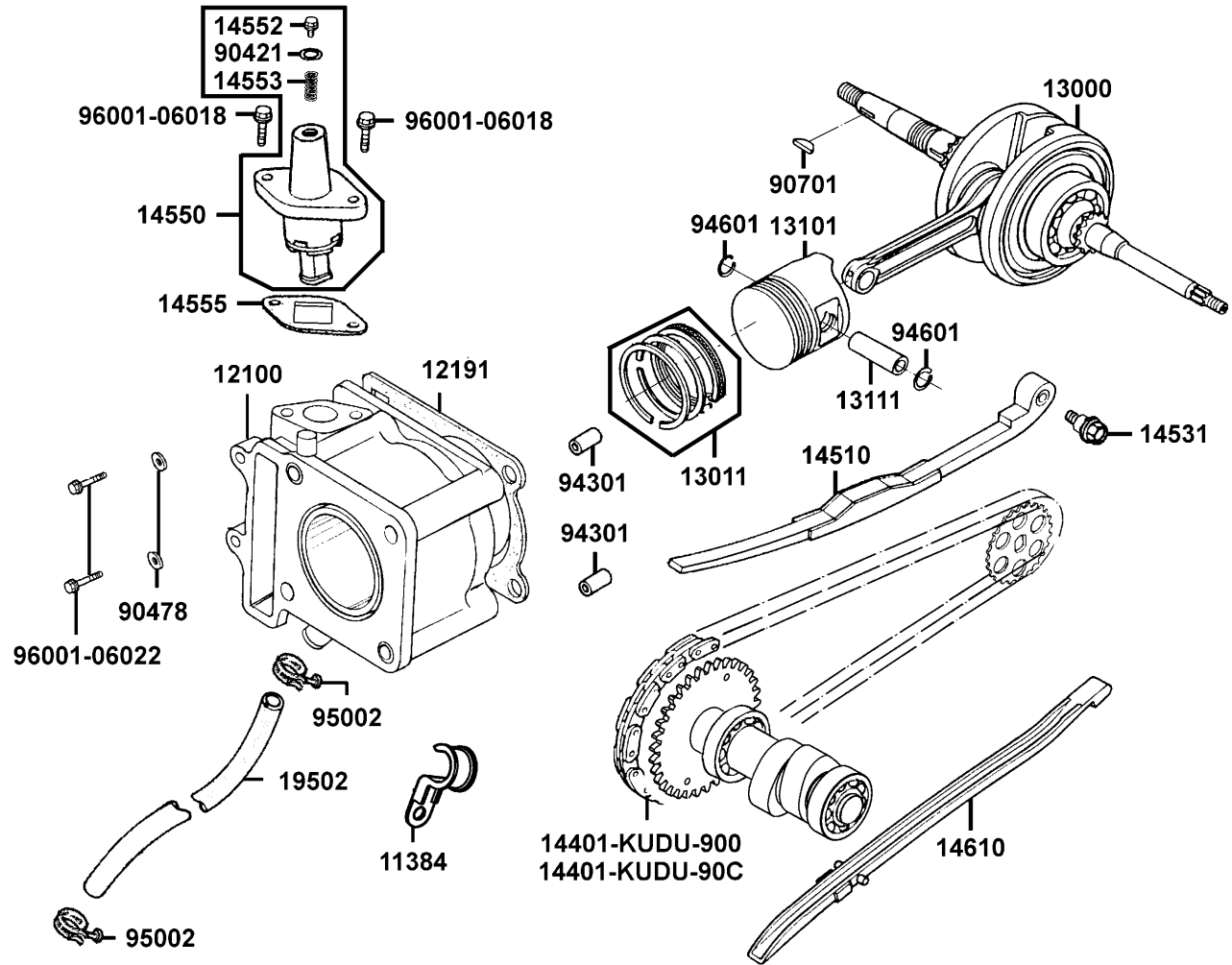
Sales mark	Ref no	Part no	Ver	Description	Reg description	Regd no	E02
	17110	17110-KKC1-E00	3	PIPE COMP INLET	PIPE COMP INLET	1	
	18601	18601-MAJ1-791	1	REED VALVE COMP	REED VALVE COMP	1	
	18612	18612-KEBE-900	0	COVER REED VALVE	COVER REED VALVE	1	
	18645	18645-GFY6-941	0	GSKT A/I PIPE	GSKT A/I PIPE	1	
	18646	18646-GFY6-941	0	GAKT A/I PIPE	GAKT A/I PIPE	1	
	18647	18647-KEBE-900	0	PIPE COMP AIR	PIPE COMP AIR	1	
	90012	90012-3C33-001	0	SCREW TAPPET ADJUSTING	SCREW TAPPET ADJUSTING	2	
#	90033-GFY6-900	90033-GFY6-900	0	BOLT STUD 8*32	BOLT STUD 8*32	2	
#	90033-GFY6-941	90033-GFY6-941	0	BOLT STUD 6*16	BOLT STUD 6*16	2	
	90206	90206-0A01-001	1	NUT TAPPET ADJG	NUT TAPPET ADJG	2	
	90304	90304-4H38-001	2	NUT HEX CAP 6MM	NUT HEX CAP 6MM	2	
	90465	90465-MDC4-001	0	WASHER 8MM	WASHER 8MM	4	
	91301	91301-0H28-001	0	O RING 27*2	O RING 27*2	1	
	92900	92900-06045-0B	0	BOLT STUD SH 6*45	BOLT STUD SH 6*45	2	
#	94050-06080	94050-06080	0	NUT FLANGE 6MM	NUT FLANGE 6MM	2	
	94050-08080	94050-08080	0	NUT FLANGE 8MM	NUT FLANGE 8MM	4	
	94301	94301-10160	0	DOWEL PIN 10*16	DOWEL PIN 10*16	4	
	94591	94591-KFBF-900	2	CLIP 2*70	CLIP 2*70	1	
	95701	95701-06025-08	0	BOLT FLANGE 6*25	BOLT FLANGE 6*25	4	
	96001-06016	96001-06016-02	0	BOLT FLANGE SH 6*16	BOLT FLANGE SH 6*16	1	

Sales mark	Ref no	Part no	Ver	Description	Reg description	Regd no	E02
#	96001-06025	96001-06025-08	0	BOLT FLANGE SH 6*25	BOLT FLANGE SH 6*25	2	
	96001-06032	96001-06032-08	0	BOLT FLANGE SH 6*32	BOLT FLANGE SH 6*32	2	
	98069	98069-5791R-00	0	SPARK PLUG DPR(7EA-9)	SPARK PLUG DPR(7EA-9)	1	



Sales mark	Ref no	Part no	Ver	Description	Reg description	Regd no	E03
	11384	11384-KHE7-900	1	CLAMPER A RR BRK HOSE	CLAMPER A RR BRK HOSE	1	
	12100	12100-LEA5-E00	3	CYLINDER COMP	CYLINDER COMP	1	
	12191	12191-LEA5-E00	1	GASKET CYLINDER	GASKET CYLINDER	1	
	13000	13000-KKC2-900	6	CRANK SHAFT COMP	CRANK SHAFT COMP	1	
	13011	13011-GFY6-900	0	RING SET PISTON	RING SET PISTON	1	
	13101	13101-KED1-900	1	PISTON	PISTON	1	
	13111	13111-3D84-001	3	PIN PISTON	PIN PISTON	1	
	14401-KUDU-900	14401-KUDU-900	0	CHAIN CAM	CHAIN CAM	1	
	14401-KUDU-90C	14401-KUDU-90C	0	CHAIN CAM	CHAIN CAM	1	
	14510	14510-KEBE-900	0	TENSIONER CAM CHAIN	TENSIONER CAM CHAIN	1	
	14531	14531-KKJ9-001	0	PIVOT CAM CHAIN TENSIONER	PIVOT CAM CHAIN TENSIONER	1	
	14550	14550-KDS4-00B	3	ADJUSTER CAM CHAIN	ADJUSTER CAM CHAIN	1	
	14552	14552-KDS4-004	2	PLUG ADJUSTER	PLUG ADJUSTER	1	
	14553	14553-KDS4-004	2	SPRING CAM CHAIN ADJUSTER	SPRING CAM CHAIN ADJUSTER	1	
	14555	14555-LBA2-E00	1	GASKET CAM CHAIN ADJUSTER	GASKET CAM CHAIN ADJUSTER	1	
	14610	14610-KKJ9-001	0	GUIDE COMP CAM CHAIN	GUIDE COMP CAM CHAIN	1	
	19502	19502-KEBE-900	0	HOSE WATER B	HOSE WATER B	1	
	90421	90421-KAM1-004	0	WASHER SEALING 8*16*1.6	WASHER SEALING 8*16*1.6	1	
	90478	90478-7L00-001	0	WASHER 6MM	WASHER 6MM	2	
	90701	90701-HFB6-011	1	KEY WOODRUFF 25*14*4	KEY WOODRUFF 25*14*4	1	

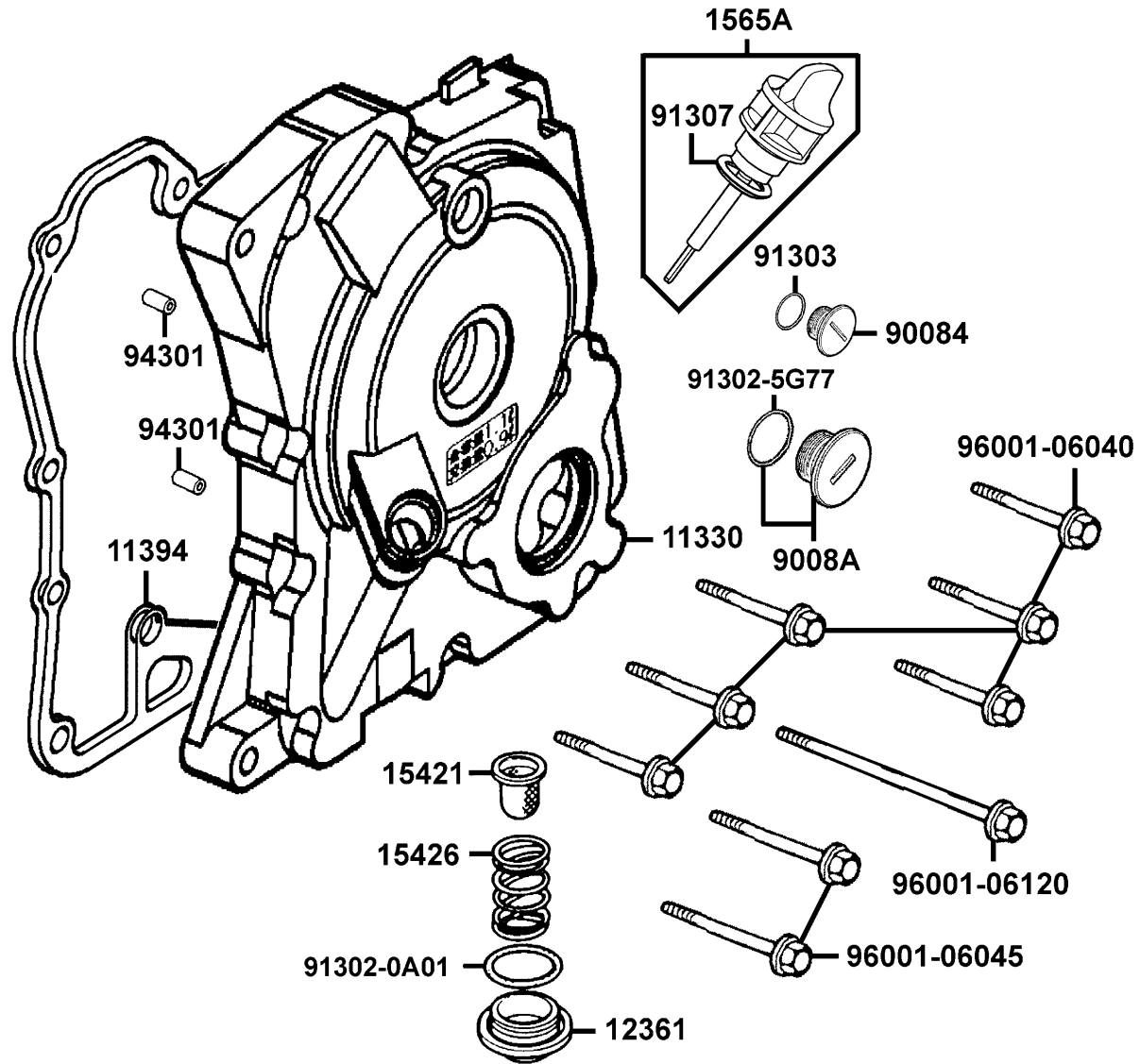
CylinderPistonCrankshaft



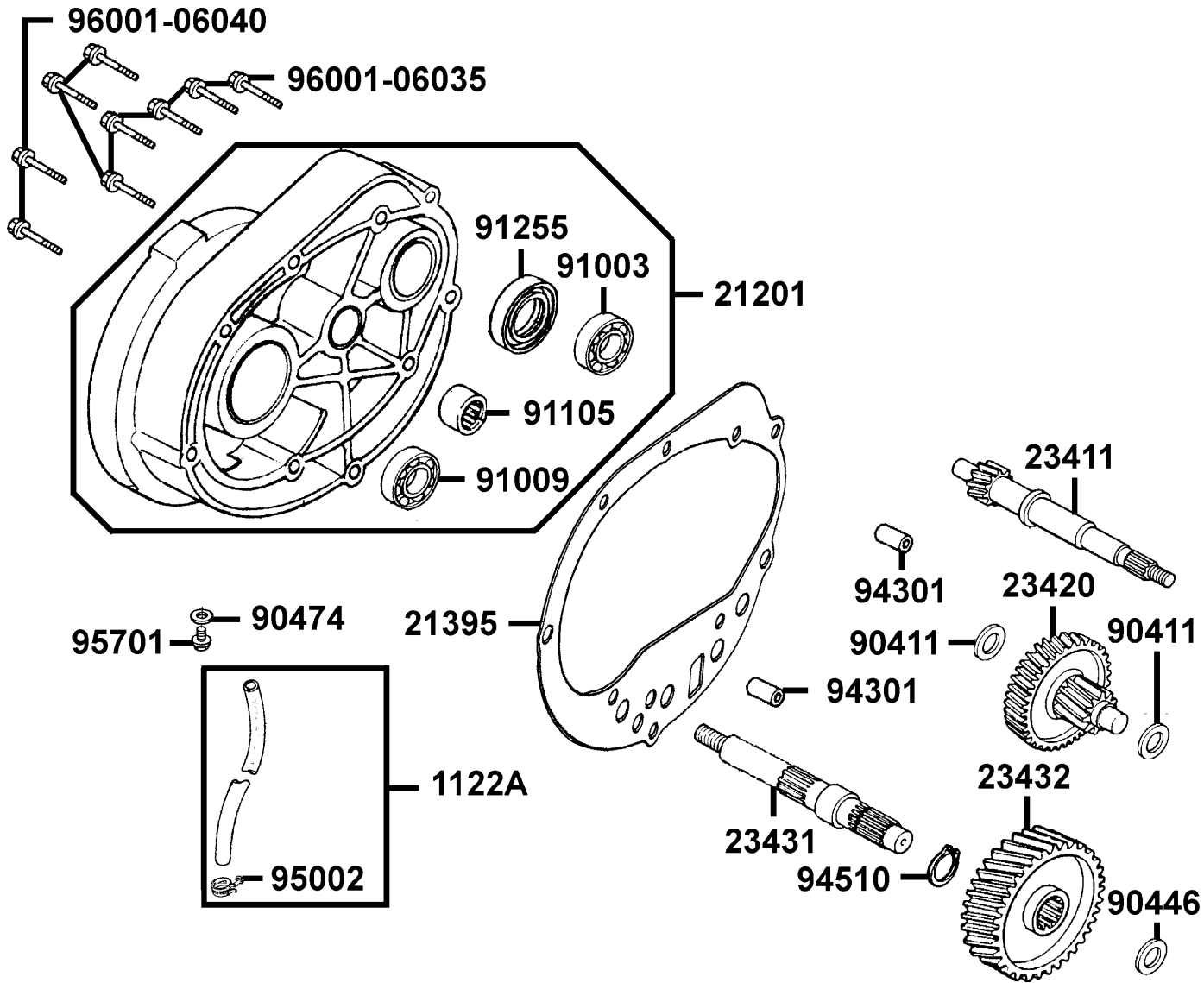
Sales mark	Ref no	Part no	Ver	Description	Reg description	Regd no	E03
	94301	94301-10160	0	DOWEL PIN 10*16	DOWEL PIN 10*16	2	
	94601	94601-15000	0	CLIP PISTON PIN 15MM	CLIP PISTON PIN 15MM	2	
	95002	95002-KGN7-910	1	CLIP TUBE	CLIP TUBE	2	
#	96001-06018	96001-06018-08	0	BOLT FLANGE SH 6*18	BOLT FLANGE SH 6*18	2	
#	96001-06022	96001-06022-08	0	BOLT FLANGE SH 6*22	BOLT FLANGE SH 6*22	2	

E04

Right Crankcase cover

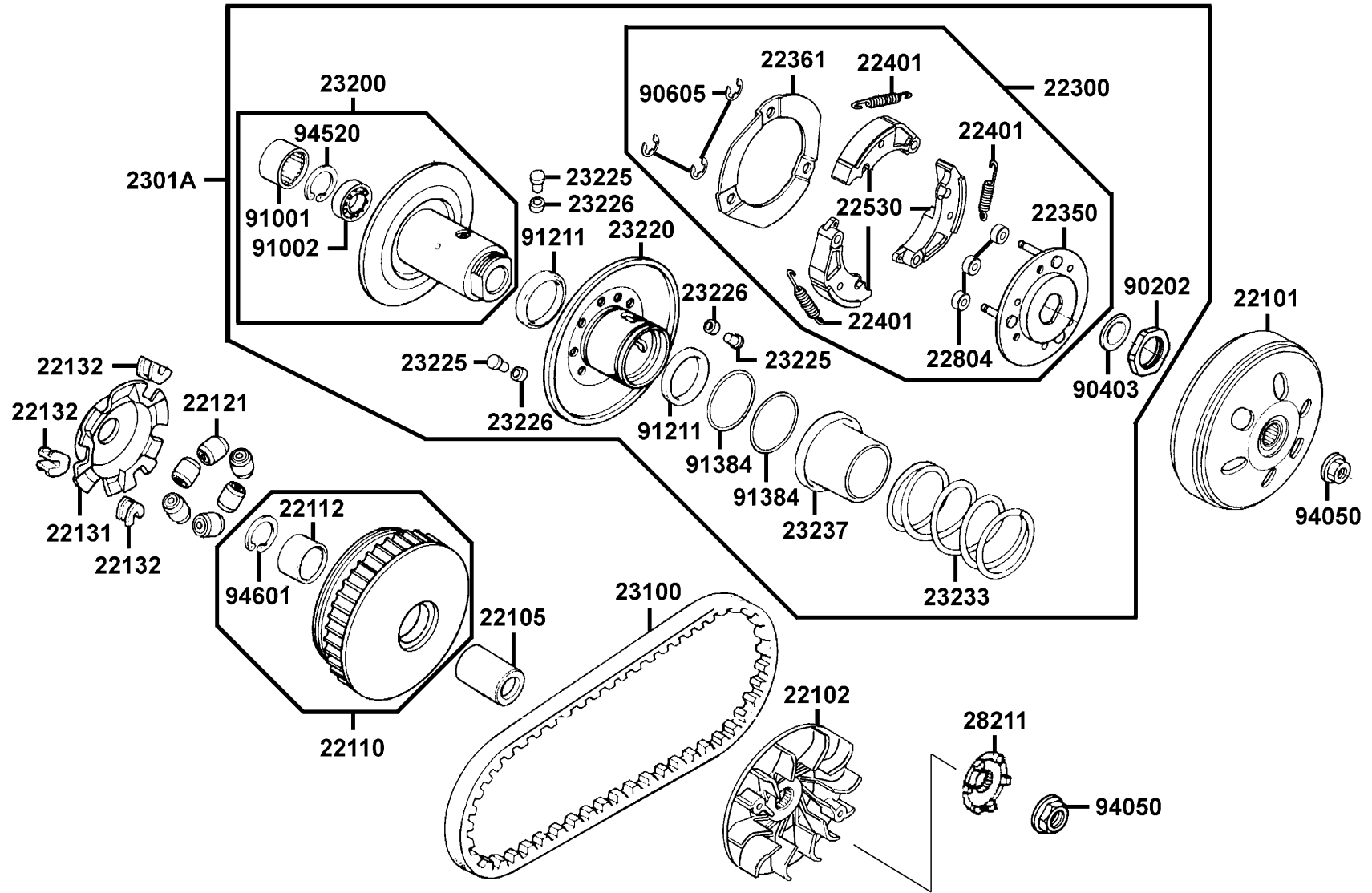


Sales mark	Ref no	Part no	Ver	Description	Reg description	Regd no	E04
	11394	11394-LEA5-E00	2	GASKET R COVER @	GASKET R COVER @	1	
	12361	12361-GFY6-901	1	HOLE CAP TAPPET ADJUSTING	HOLE CAP TAPPET ADJUSTING	1	
	15421	15421-1G07-001	1	SCREEN OIL FILTER	SCREEN OIL FILTER	1	
	15426	15426-GAE1-921	0	SPG OIL FILTER SCREEN	SPG OIL FILTER SCREEN	1	
	1565A	1565A-KEBE-900	0	GAUGE OIL LEVEL ASSY	GAUGE OIL LEVEL ASSY	1	
**	90084	90084-4H28-001	0	CAP ACG	CAP ACG	1	
	9008A	9008A-KBE2-900	0	CAP ASSY 30MM	CAP ASSY 30MM	1	
	91302-0A01	91302-0A01-021	0	O-RING 30.8M/M	O-RING 30.8M/M	1	
	91302-5G67	91302-5G67-004	0	O-RING 27.4*2.4	O-RING 27.4*2.4	1	
	91303	91303-3G77-001	0	O-RING 13.8*2.5	O-RING 13.8*2.5	1	
	91307	91307-0E35-001	0	O RING 18*3	O RING 18*3	1	
	94301	94301-08140	0	DOWEL PIN 8*14	DOWEL PIN 8*14	2	
	96001-06040	96001-06040-08	0	BOLT FLANGE 6*40	BOLT FLANGE 6*40	6	
	96001-06045	96001-06045-08	0	BOLT FLANGE SH 6*45	BOLT FLANGE SH 6*45	2	
	96001-06120	96001-06120-08	0	BOLT FLANGE SH 6*120	BOLT FLANGE SH 6*120	1	



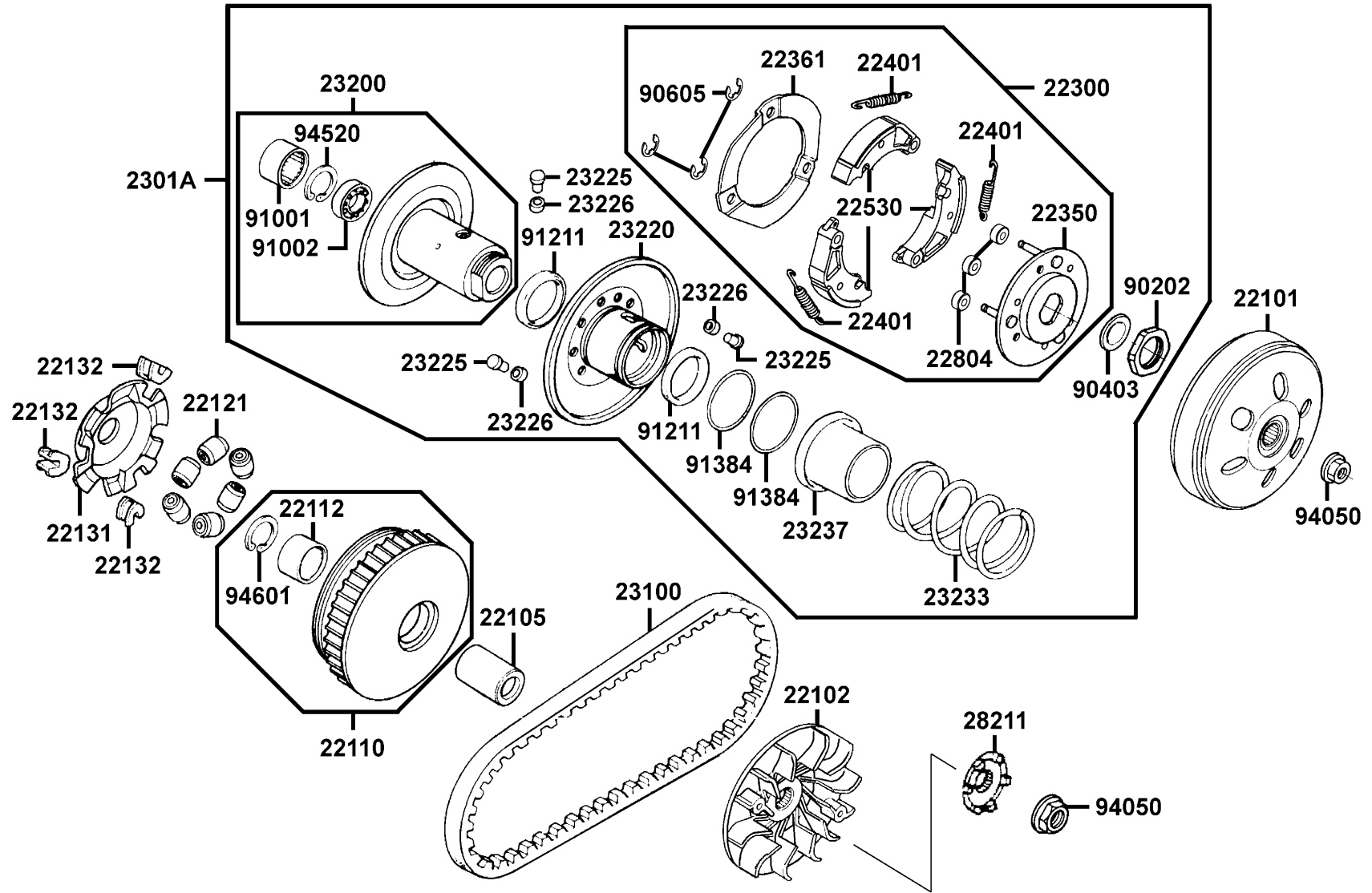
Sales mark	Ref no	Part no	Ver	Description	Reg description	Regd no	E05
	1122A	1122A-KKC2-900	0	TUBE ASSY	TUBE ASSY	1	
	21201	21201-KFC8-305	0	CASE SET MISSION	CASE SET MISSION	1	
	21395	21395-LEA5-E00	2	GASKET MISSION CASE @	GASKET MISSION CASE @	1	
#	23411	23411-KKC2-900	0	SHAFT DRIVE	SHAFT DRIVE	1	
	23420	23420-LEA5-E00	2	SHAFT COMP COUNTER	SHAFT COMP COUNTER	1	
	23431	23431-KFC8-900	2	SHAFT FINAL	SHAFT FINAL	1	
	23432	23432-LEA5-E00	1	GEAR FINAL	GEAR FINAL	1	
	90411	90411-KAM1-001	0	WASHER THRUST 14*32*1	WASHER THRUST 14*32*1	2	
	90446	90446-3G57-001	0	WASHER THRUST 17.2MM	WASHER THRUST 17.2MM	1	
#	90474	90474-3C33-001	1	WASHER 8MM	WASHER 8MM	1	
	91003	91003-KDS4-004	1	BRG BALL RADIAL 6301TMB	BRG BALL RADIAL 6301TMB	1	
	91009	91009-GLE0-004	1	BRG BALL RADIAL 6004 UU	BRG BALL RADIAL 6004 UU	1	
	91105	91105-KGN7-672	0	BRG NEEDLE	BRG NEEDLE	1	
#	91255	91255-GLE0-006	0	OIL SEAL 27*42*7	OIL SEAL 27*42*7	1	
	94301	94301-08140	0	DOWEL PIN 8*14	DOWEL PIN 8*14	2	
	94510	94510-20000	0	CIR CLIP EX 20	CIR CLIP EX 20	1	
	95002	95002-02080	0	CLIP B8 TUBE	CLIP B8 TUBE	1	
#	95701	95701-08012-08	0	BOLT FLANGE 8*12	BOLT FLANGE 8*12	1	
	96001-06035	96001-06035-08	0	BOLT FLANGE 6*35	BOLT FLANGE 6*35	7	
	96001-06040	96001-06040-08	0	BOLT FLANGE 6*40	BOLT FLANGE 6*40	2	

Driven Pulley



Sales mark	Ref no	Part no	Ver	Description	Reg description	Regd no	E06
#	22101	22101-KEBE-900	1	OUTER CLUTCH	OUTER CLUTCH	1	
	22102	22102-KKC3-900	3	FACE DRIVE	FACE DRIVE	1	
	22105	22105-KHD4-E00	1	BOSS DRIVE FACE	BOSS DRIVE FACE	1	
	22110	22110-KKC3-900	1	FACE COMP MOVABLE DRIVE	FACE COMP MOVABLE DRIVE	1	
	22112	22112-KAAA-900	0	COLLAR DRIVE FACE	COLLAR DRIVE FACE	1	
	22121	22121-LEA5-E00	1	ROLLER COMP WEIGHT	ROLLER COMP WEIGHT	6	
	22131	22131-KAAA-900	1	PLATE RAMP	PLATE RAMP	1	
	22132	22132-KGN7-670	3	PIECE SLIDE	PIECE SLIDE	3	
	22300	22300-LBF6-E00	1	PLATE ASSY DRIVE	PLATE ASSY DRIVE	1	
	22350	22350-KGN7-671	0	PLATE COMP DRIVE	PLATE COMP DRIVE	1	
	22361	22361-KGN7-671	1	PLATE CLUTCH SIDE	PLATE CLUTCH SIDE	1	
	22401	22401-LLB1-900	1	SPRING CLUTCH	SPRING CLUTCH	3	
	22530	22530-KGN7-671	2	WEIGHT CLUTCH	WEIGHT CLUTCH	3	
	22804	22804-GBB2-001	0	RUBBER CLUTCH DUMPER	RUBBER CLUTCH DUMPER	3	
	2301A	2301A-LEA5-E00	1	PULLEY SUB ASSY	PULLEY SUB ASSY	1	
	23100	23100-KKC2-900	2	BELT DRIVE	BELT DRIVE	1	
	23200	23200-KEBE-900	2	FACE ASSY DRIVEN	FACE ASSY DRIVEN	1	
	23220	23220-LLB1-900	1	FACE COMP MOVABLE DRIVEN	FACE COMP MOVABLE DRIVEN	1	
	23225	23225-GHC8-004	0	PIN ROLLER GUIDE	PIN ROLLER GUIDE	3	
	23226	23226-GHC8-004	0	ROLLER GUIDE	ROLLER GUIDE	3	

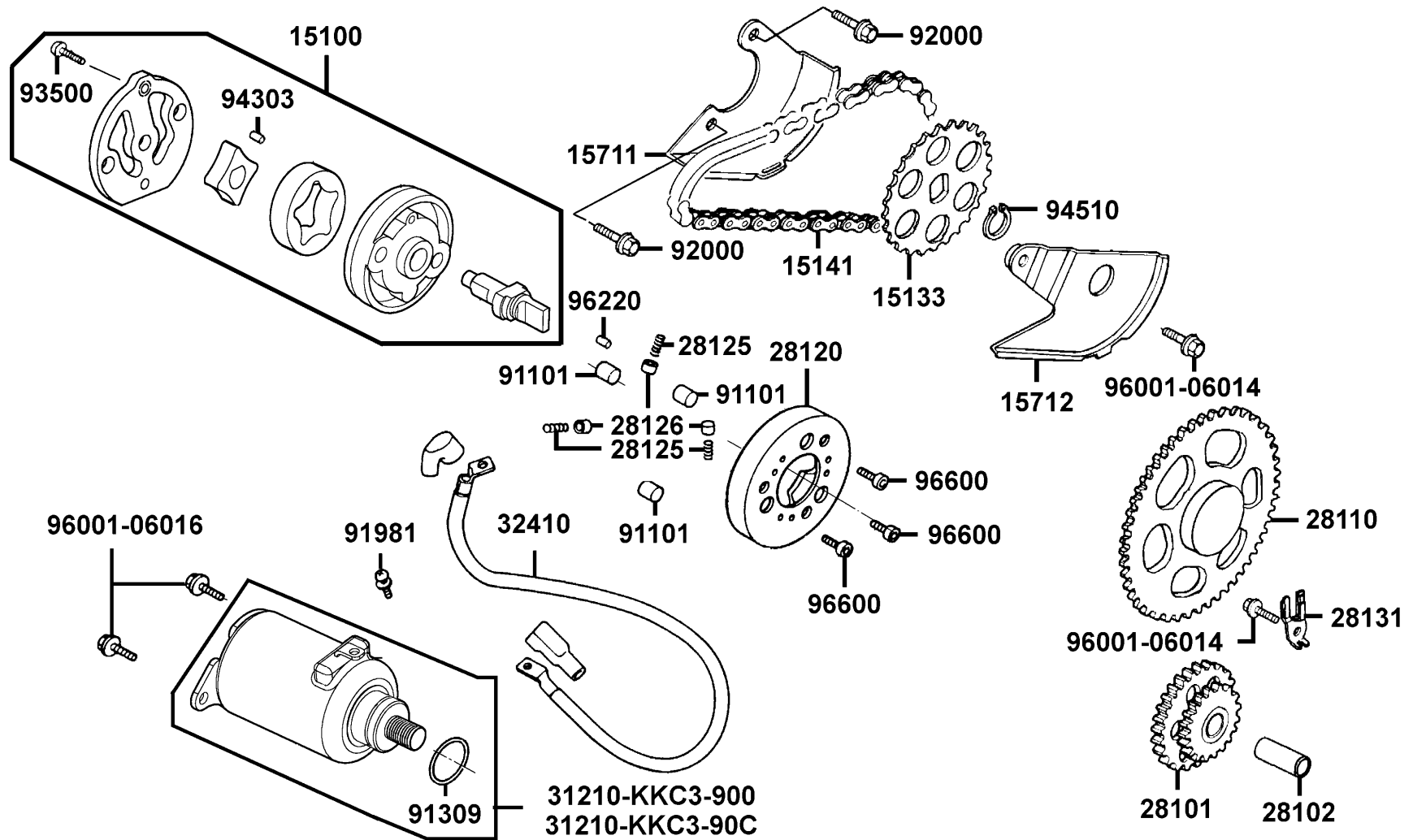
Driven Pulley



Sales mark	Ref no	Part no	Ver	Description	Reg description	Regd no	E06
	23233	23233-LEA5-E00	1	SPG DRIVEN FACE	SPG DRIVEN FACE	1	
	23237	23237-KHG8-901	0	COLLAR SEAL	COLLAR SEAL	1	
	28211	28211-KFC8-900	0	RATCHET KICK STARTER	RATCHET KICK STARTER	1	
	90202	90202-KGN7-671	0	NUT SPECIAL 28MM	NUT SPECIAL 28MM	1	
	90403	90403-KGN7-671	0	WASHER THRUST	WASHER THRUST	1	
	90605	90605-1F66-721	0	CIR CLIP 7MM	CIR CLIP 7MM	3	
	91001	91001-GFY6-90A	2	BRG NDL 20*29*18	BRG NDL 20*29*18	1	
	91002	91002-GGA7-70A	0	BRG BALL RADIAL 6902U	BRG BALL RADIAL 6902U	1	
	91211	91211-KEBE-900	0	SEAL DRIVEN FACE 34*41*4	SEAL DRIVEN FACE 34*41*4	2	
	91384	91384-KEBE-900	0	O-RING	O-RING	2	
	94050	94050-12080	0	NUT C FLANGE 12MM	NUT C FLANGE 12MM	2	
	94520	94520-28000	0	CIR CLIP IN 28	CIR CLIP IN 28	1	
	94601	94601-33000	0	CLIP PISTON PIN 33MM	CLIP PISTON PIN 33MM	1	

E07

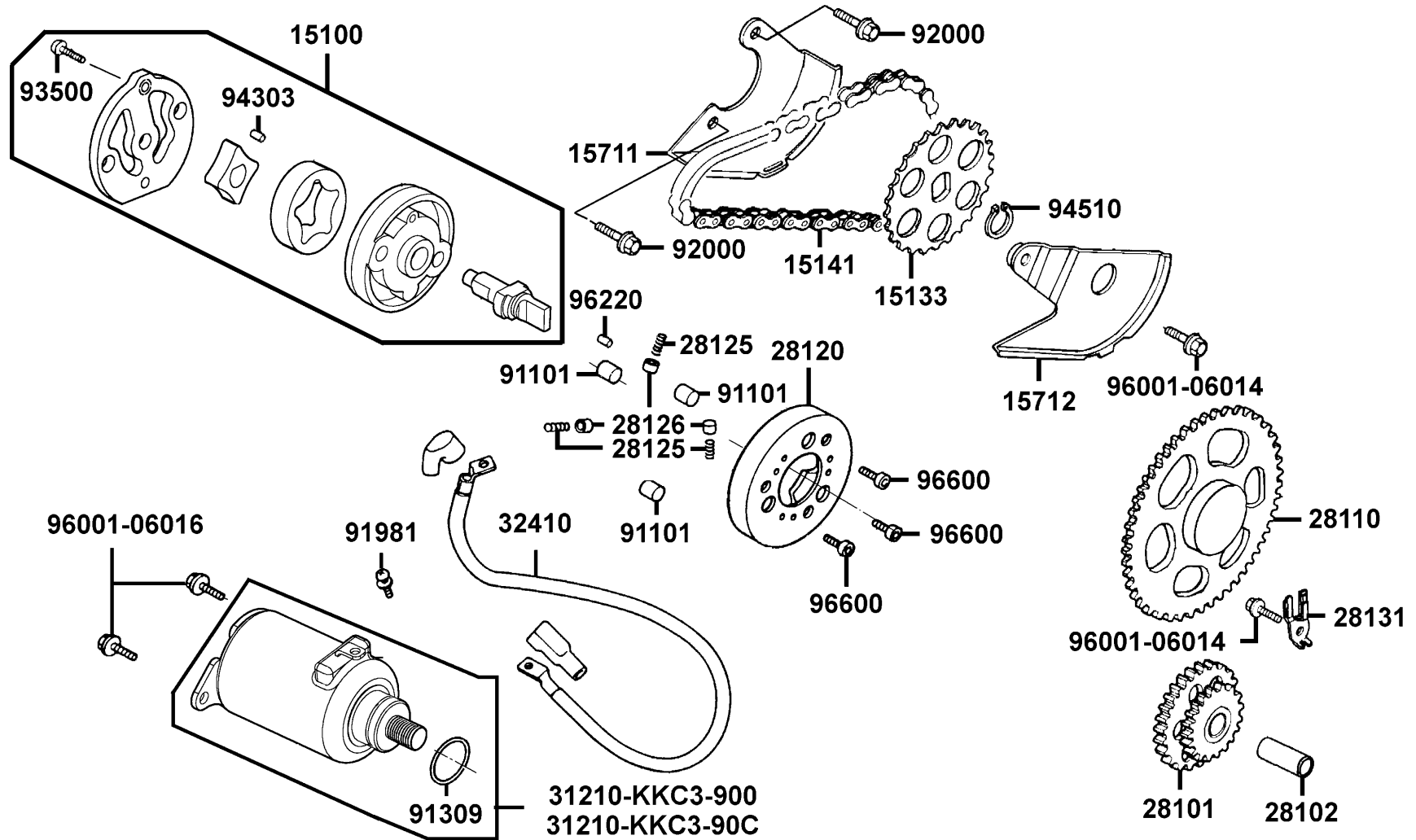
Starting Motor Oil Pump



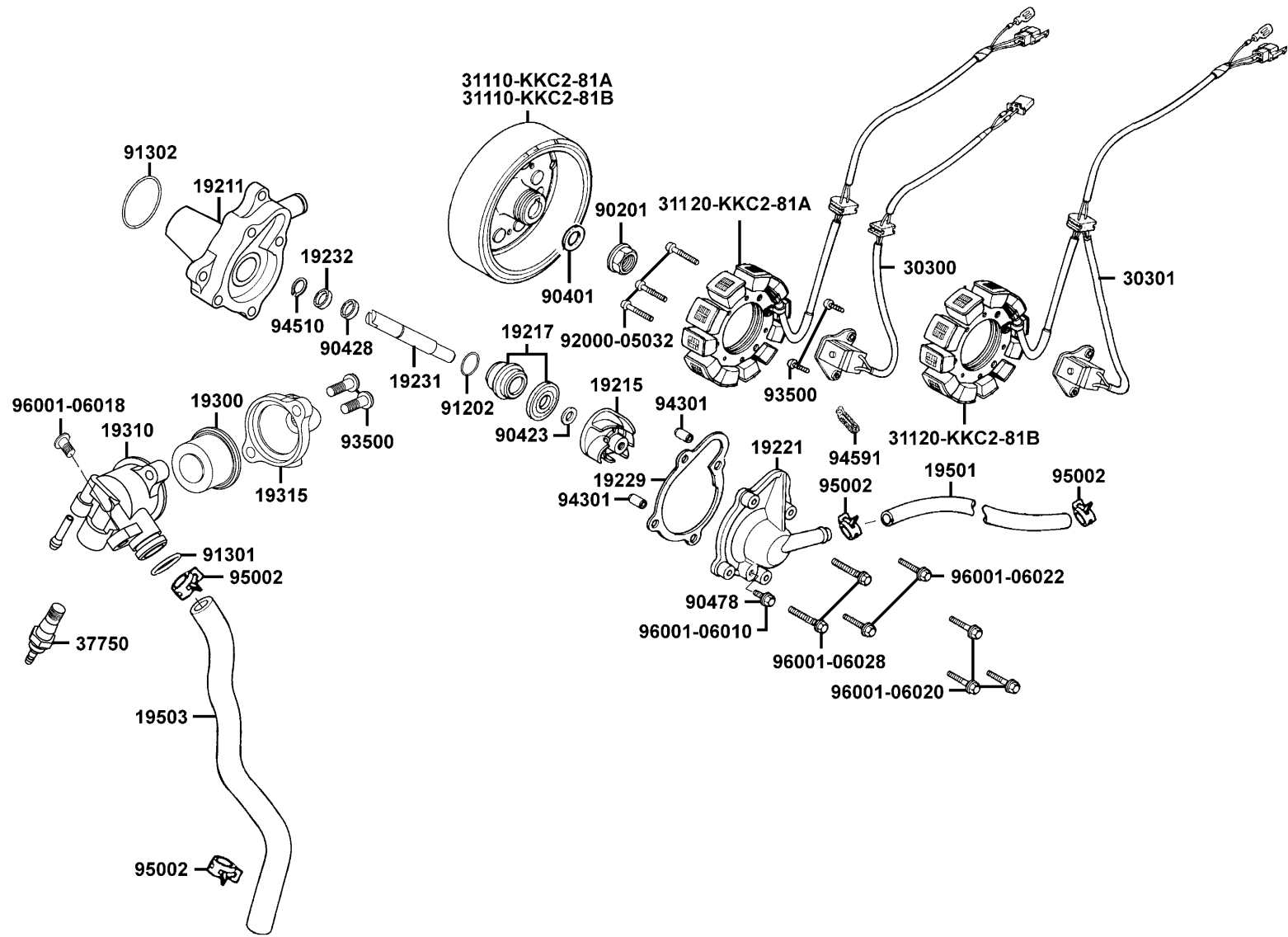
Sales mark	Ref no	Part no	Ver	Description	Reg description	Regd no	E07
	15100	15100-KKC3-900	3	PUMP ASSY OIL	PUMP ASSY OIL	1	
	15133	15133-KAM1-001	0	SPROCKET OIL PUMP DRIVE	SPROCKET OIL PUMP DRIVE	1	
	15141	15141-KKJ9-004	0	CHAIN OIL PUMP	CHAIN OIL PUMP	1	
	15711	15711-KKC3-900	1	OIL SEPARATER A	OIL SEPARATER A	1	
	15712	15712-KEBE-900	0	OIL SEPARATER COMP B	OIL SEPARATER COMP B	1	
	28101	28101-KKJ9-011	0	GEAR STARTER REDUCTION	GEAR STARTER REDUCTION	1	
	28102	28102-KKJ9-001	0	SHAFT STARTER REDUCTION GEAR	SHAFT STARTER REDUCTION	1	
	28110	28110-KGN7-672	0	GEAR COMP STARTING CLUTCH	GEAR COMP STARTING CLUTCH	1	
	28120	28120-KEBE-305	0	OUTER COMP STARTING CLUTCH	OUTER COMP STARTING	1	
	28125	28125-4F26-001	0	SPRING ROLLER STARTER CLUTCH	SPRING ROLLER STARTER	3	
	28126	28126-KUDU-900	1	CAP STARTING ROLLER SPRING	CAP STARTING ROLLER SPRING	3	
	28131	28131-KGN7-671	0	GUIDE STARTING DRIVEN GEAR	GUIDE STARTING DRIVEN GEAR	1	
	31210-KKC3-900	31210-KKC3-900	3	MOTOR UNIT START	MOTOR UNIT START	1	
	31210-KKC3-90C	31210-KKC3-90C	2	MOTOR UNIT START	MOTOR UNIT START	1	
	32410	32410-KUDU-900	2	CABLE START MOTOR	CABLE START MOTOR	1	
	91101	91101-1K79-711	1	ROLLER 10*10	ROLLER 10*10	3	
	91309	91309-4E25-004	0	O-RING 24.4*3.1	O-RING 24.4*3.1	1	
	91981	91981-KGN7-670	0	SCREW WASH 5X8	SCREW WASH 5X8	1	
	92000	92000-06028-0H	0	BOLT FLANGE SH 6*28	BOLT FLANGE SH 6*28	2	
	93500	93500-03010-1A	0	SCREW PAN 3*10	SCREW PAN 3*10	1	

E07

Starting Motor Oil Pump

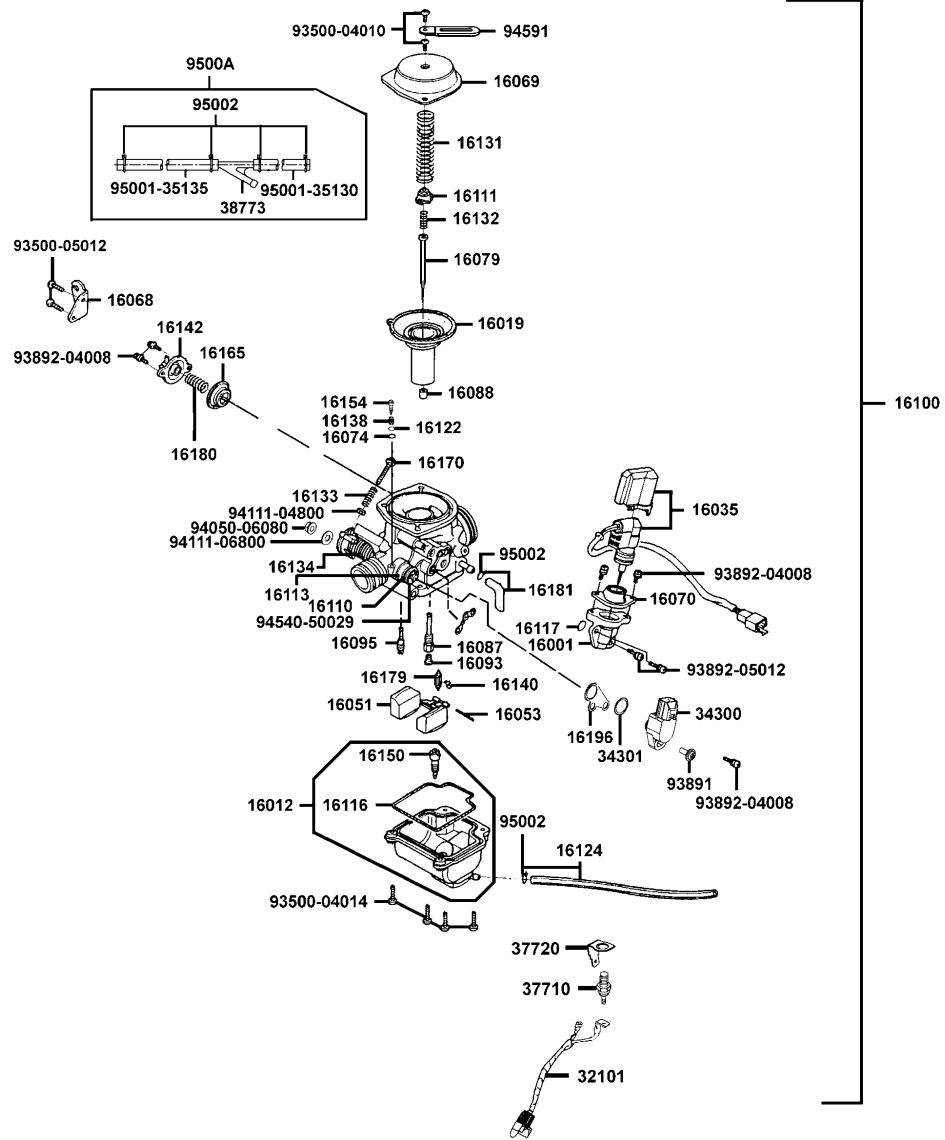


Sales mark	Ref no	Part no	Ver	Description	Reg description	Regd no	E07
	94303	94303-04065	0	PIN DOWEL 4*65	PIN DOWEL 4*65	1	
	94510	94510-10000	0	CIR CLIP EX 10MM	CIR CLIP EX 10MM	1	
	96001-06014	96001-06014-08	0	BOLT FLANGE 6*14	BOLT FLANGE 6*14	2	
	96001-06016	96001-06016-08	0	BOLT FLANGE SH 6*16	BOLT FLANGE SH 6*16	2	
	96220	96220-60100	0	ROLLER 6*10	ROLLER 6*10	1	
	96600	96600-08015-10	1	SOCKET BOLT 8*15	SOCKET BOLT 8*15	3	

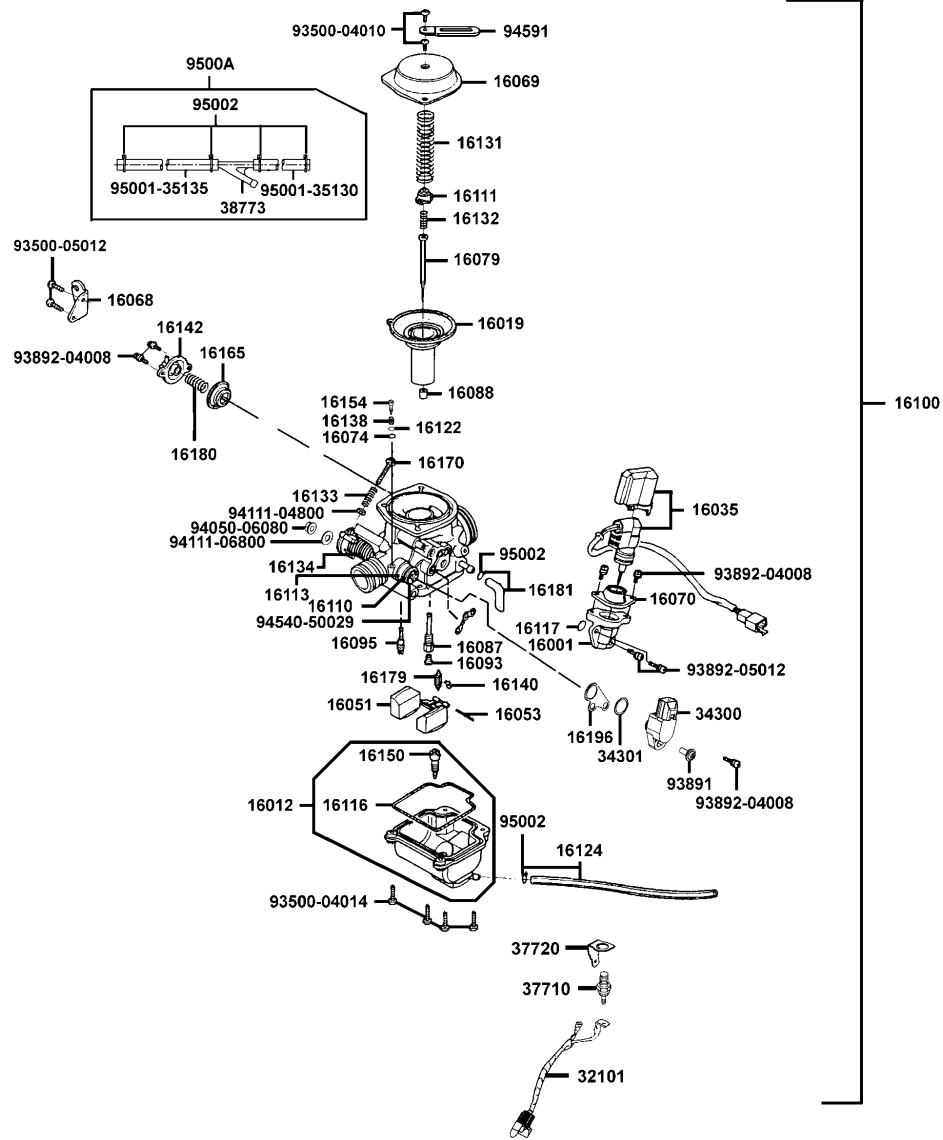


Sales mark	Ref no	Part no	Ver	Description	Reg description	Regd no	E08
	19211	19211-LEA5-E00	4	BODY WATER PUMP	BODY WATER PUMP	1	
	19215	19215-KKJ9-011	0	IMPELLER WATER PUMP	IMPELLER WATER PUMP	1	
	19217	19217-6G57-024	0	SEAL MECHANICAL	SEAL MECHANICAL	1	
	19221	19221-KKC3-900	1	COVER WATER PUMP	COVER WATER PUMP	1	
	19229	19229-KKC3-900	0	GASKET WATER PUMP	GASKET WATER PUMP	1	
	19231	19231-LEA5-E00	1	SHAFT WATER PUMP	SHAFT WATER PUMP	1	
	19232	19232-LBA2-E00	2	WASHER 21*13.8*1.5	WASHER 21*13.8*1.5	1	
	19300	19300-KAE1-004	1	THERMOSTAT ASSY	THERMOSTAT ASSY	1	
	19310	19310-KEBE-900	1	CASE COMP THERMOSTAT	CASE COMP THERMOSTAT	1	
	19315	19315-KEBE-900	2	COVER THERMOSTAT	COVER THERMOSTAT	1	
	19501	19501-KKC3-900	0	HOSE WATER A	HOSE WATER A	1	
	19503	19503-KEBE-900	0	HOSE C WATER	HOSE C WATER	1	
	30300	30300-KEBE-900	2	GEN ASSY PULSE	GEN ASSY PULSE	1	
	30301	30301-KEBE-90B	0	GEN ASSY PULSE	GEN ASSY PULSE	1	
	31110-KKC2-81A	31110-KKC2-81A	2	FLYWHEEL COMP	FLYWHEEL COMP	1	
	31110-KKC2-81B	31110-KKC2-81B	3	FLYWHEEL COMP	FLYWHEEL COMP	1	
	31120-KKC2-81A	31120-KKC2-81A	2	STATOR COMP	STATOR COMP	1	
	31120-KKC2-81B	31120-KKC2-81B	2	STATOR COMP	STATOR COMP	1	
	37750	37750-PAC1-005	0	THERMO UNIT ASSY	THERMO UNIT ASSY	1	
	90201	90201-KHR8-75A	0	NUT FLANGE 14MM	NUT FLANGE 14MM	1	

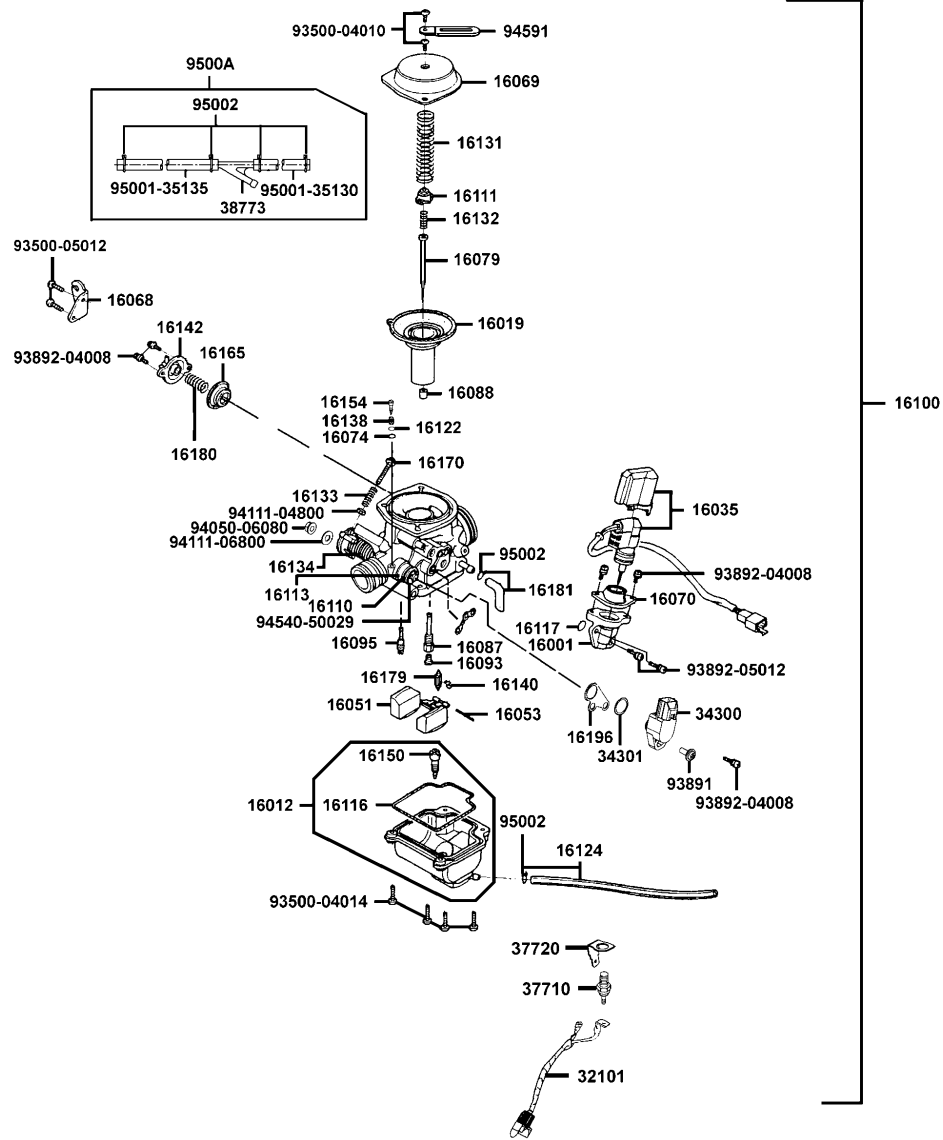
Sales mark	Ref no	Part no	Ver	Description	Reg description	Regd no	E08
	90401	90401-KKJ9-001	0	WASHER THRUST 14*28*2	WASHER THRUST 14*28*2	1	
	90423	90423-KKJ9-001	0	WASHER 7.2*13*1.2	WASHER 7.2*13*1.2	1	
	90428	90428-9H58-001	0	WASHER THRUST 14MM	WASHER THRUST 14MM	1	
	90478	90478-7L00-001	0	WASHER 6MM	WASHER 6MM	1	
	91202	91202-KGB4-C00	1	OIL SEAL 13.7*24*5	OIL SEAL 13.7*24*5	1	
	91301	91301-KGV7-671	0	O-RING 14.8*1.9	O-RING 14.8*1.9	1	
	91302	91302-5G67-004	0	O-RING 27.4*2.4	O-RING 27.4*2.4	1	
	92000	92000-05032-0H	0	BOLT HEX 5*32	BOLT HEX 5*32	3	
#	93500	93500-05016-0H	0	SCREW PAN 5*16	SCREW PAN 5*16	4	
	94301	94301-08140	0	DOWEL PIN 8*14	DOWEL PIN 8*14	2	
	94510	94510-14000	0	CIR CLIP EXTERNAL 14	CIR CLIP EXTERNAL 14	1	
	94591	94591-KFBB-900	2	CLIP 2*70	CLIP 2*70	1	
	95002	95002-KGN7-910	1	CLIP TUBE	CLIP TUBE	4	
	96001-06010	96001-06010-08	0	BOLT FLANGE SH 6*10	BOLT FLANGE SH 6*10	1	
#	96001-06018	96001-06018-08	0	BOLT FLANGE SH 6*18	BOLT FLANGE SH 6*18	1	
	96001-06020	96001-06020-08	0	BOLT FLANGE SH 6*20	BOLT FLANGE SH 6*20	3	
#	96001-06022	96001-06022-08	0	BOLT FLANGE SH 6*22	BOLT FLANGE SH 6*22	2	
	96001-06028	96001-06028-02	0	BOLT FLANGE SH 6*28	BOLT FLANGE SH 6*28	2	



Sales mark	Ref no	Part no	Ver	Description	Reg description	Regd no	E09
	16001	16001-KEC3-900	3	BODY ASSY BY-ST	BODY ASSY BY-ST	1	
	16012	16012-KEC3-800	4	CHAMBER FLOAT ASSY	CHAMBER FLOAT ASSY	1	
	16019	16019-KUDU-900	0	VALVE ASSY PISTON	VALVE ASSY PISTON	1	
	16035	16035-KHB4-EZ0	0	UNIT BY-ST	UNIT BY-ST	1	
	16051	16051-KEC3-90A	1	BODY FLOAT	BODY FLOAT	1	
	16053	16053-KEC3-900	0	PIN FLOAT	PIN FLOAT	1	
	16068	16068-KEC3-900	0	PLATE WIRE FIXED	PLATE WIRE FIXED	1	
	16069	16069-KEC3-900	3	COVER PISTON VALVE DIAPHRAGM	COVER PISTON VALVE	1	
	16070	16070-KEC3-900	3	STOPPER BY-ST	STOPPER BY-ST	1	
	16074	16074-KEC3-900	4	WASHER IDLE SCREW	WASHER IDLE SCREW	1	
	16079	16079-KEC3-900	3	NEEDLE ASSY JET	NEEDLE ASSY JET	1	
	16087	16087-KEC3-900	3	TUBE MAIN EMULSION	TUBE MAIN EMULSION	1	
	16088	16088-KEC3-900	1	JET NEEDLE	JET NEEDLE	1	
	16093	16093-KEC3-096	0	JET MAIN	JET MAIN	1	
	16095	16095-KEC3-900	2	JET SLOW	JET SLOW	1	
	16100	16100-LFD9-E01	2	CARBURETOR ASSY	CARBURETOR ASSY	1	
	16110	16110-KGC5-900	1	WASHER THROTTLE ASSY	WASHER THROTTLE ASSY	1	
	16111	16111-KEC3-900	1	STOPPER JET NEEDLE SPG	STOPPER JET NEEDLE SPG	1	
	16113	16113-KEC3-900	2	CAP INLET HOLE	CAP INLET HOLE	1	
	16116	16116-KEC3-900	1	PACKING FLOAT CHAMBER	PACKING FLOAT CHAMBER	1	



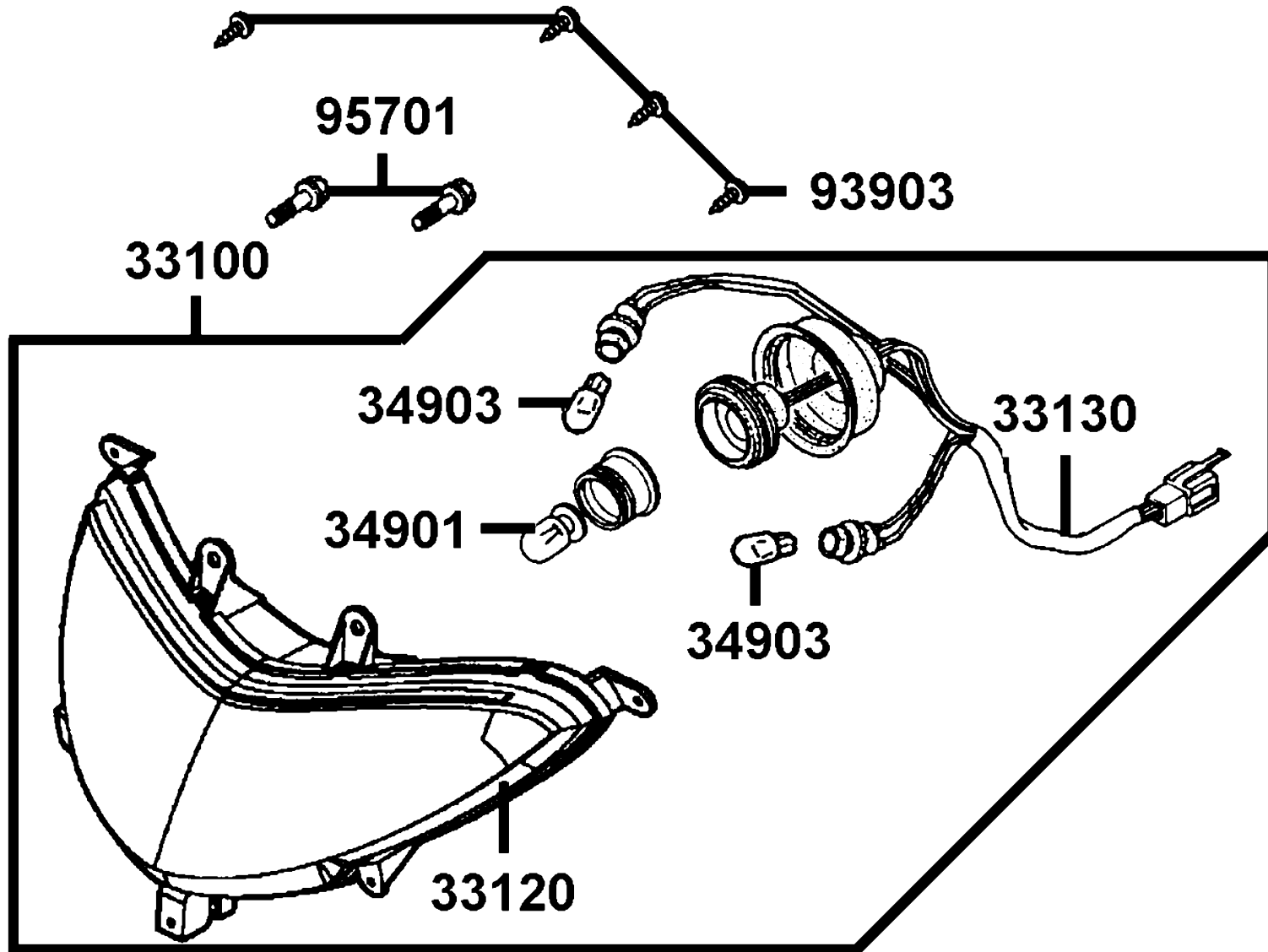
Sales mark	Ref no	Part no	Ver	Description	Reg description	Regd no	E09
	16117	16117-KEC3-900	0	PACKING BY-ST	PACKING BY-ST	1	
	16122	16122-KEC3-900	0	O-RING IDLE SCREW	O-RING IDLE SCREW	1	
	16124	16124-KEC3-900	2	TUBE COMPL 3.5*300	TUBE COMPL 3.5*300	1	
	16131	16131-KEC3-900	0	SPG PISTON VALVE RETURN	SPG PISTON VALVE RETURN	1	
	16132	16132-KEC3-900	1	SPG JET NEEDLE	SPG JET NEEDLE	1	
	16133	16133-KEC3-900	1	SPG THROTTLE ADJUST SCREW	SPG THROTTLE ADJUST SCREW	1	
	16134	16134-KEC3-900	0	SPG THROTTLE SHAFT	SPG THROTTLE SHAFT	1	
	16138	16138-KEC3-900	1	SPG IDLE ADJ SCREW	SPG IDLE ADJ SCREW	1	
	16140	16140-KEC3-900	1	CLIP FLOAT VALVE	CLIP FLOAT VALVE	1	
	16142	16142-KEC3-900	1	COVER ACV	COVER ACV	1	
	16150	16150-KEC3-900	1	SCREW COMPL DRAIN	SCREW COMPL DRAIN	1	
	16154	16154-KEC3-900	0	SCREW IDLE ADJUST	SCREW IDLE ADJUST	1	
	16165	16165-KEC3-900	0	DIAPHRAGM	DIAPHRAGM	1	
	16170	16170-KEC3-900	0	SCREW THROTTLE ADJUST	SCREW THROTTLE ADJUST	1	
	16179	16179-KEC3-900	2	VALVE ASSY FLOAT	VALVE ASSY FLOAT	1	
	16180	16180-KEC3-900	0	SPG ACV	SPG ACV	1	
	16181	16181-KEC3-900	1	TUBE AIR VENT	TUBE AIR VENT	1	
	16196	16196-KKC8-500	2	PLATE	PLATE	1	
	32101	32101-LDB2-E00	2	SUB CORD	SUB CORD	1	
	34300	34300-KKE3-900	3	THROTTLE POSITION SENSOR	THROTTLE POSITION SENSOR	1	



Sales mark	Ref no	Part no	Ver	Description	Reg description	Regd no	E09
	34301	34301-KKE3-900	2	O-RING THROTTLE POSITION	O-RING THROTTLE POSITION	1	
	37710	37710-LDB2-E00	1	HEATER	HEATER	1	
	37720	37720-KGBG-E00	0	EARTH TERMINAL HEATER	EARTH TERMINAL HEATER	1	
	38773	38773-KEC3-900	0	JOINT ASSY TANK CAP	JOINT ASSY TANK CAP	1	
	93500-04010	93500-04010-0G	0	SCREW PAN 4X10	SCREW PAN 4X10	2	
	93500-04014	93500-04014-0G	0	SCREW PAN 4*14	SCREW PAN 4*14	4	
	93500-05012	93500-05012-08	0	SCREW 5*12	SCREW 5*12	2	
	93891	93891-05016-08	0	SCREW WASHER 5*16	SCREW WASHER 5*16	1	
	93892-04008	93892-04008-18	0	SCREW WASHER	SCREW WASHER	5	
	93892-05012	93892-05012-18	0	SCREW WASH 5*12	SCREW WASH 5*12	2	
#	94050	94050-06080	0	NUT FLANGE 6MM	NUT FLANGE 6MM	1	
	94111-04800	94111-04800	0	WASHER SPG	WASHER SPG	1	
	94111-06800	94111-06800	0	WASHER SPG 6MM	WASHER SPG 6MM	1	
	94540	94540-50029	0	E CLIP SHAFT	E CLIP SHAFT	1	
#	94591	94591-25000	0	CLIP BIND	CLIP BIND	1	
	95001-35130	95001-35130-40	0	TUBE FUEL 3.5*130	TUBE FUEL 3.5*130	1	
	95001-35135	95001-35135-40	0	TUBE FUEL 3.5*135	TUBE FUEL 3.5*135	1	
	95002	95002-02070	0	CLIP B7 TUBE	CLIP B7 TUBE	6	
	9500A	9500A-LAD9-900	1	TUBE JOINT 3 WAY ACV	TUBE JOINT 3 WAY ACV	1	

F01

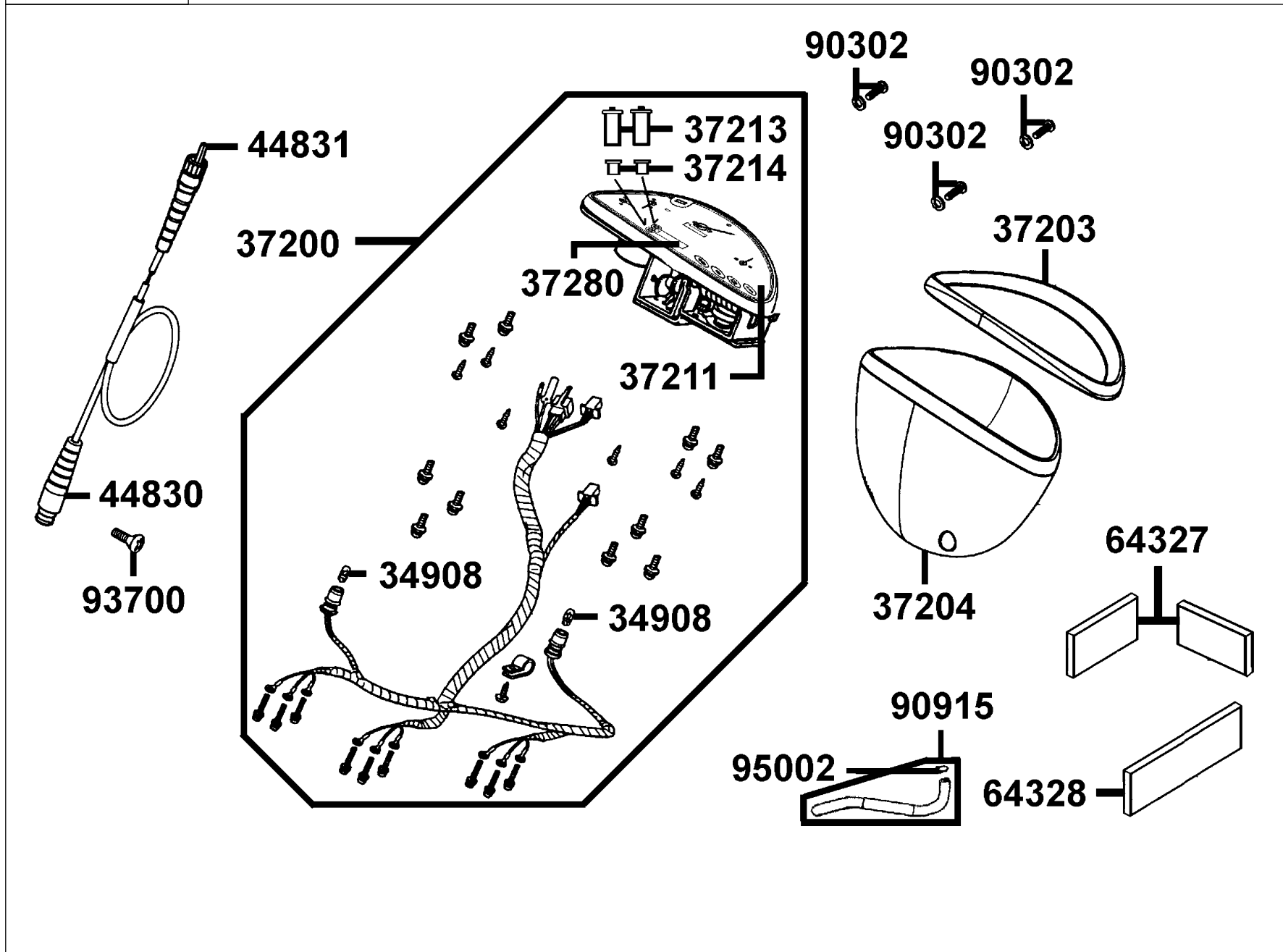
Head Light



Sales mark	Ref no	Part no	Ver	Description	Reg description	Regd no	F01
	33100	33100-KKC4-E00	4	LIGHT ASSY HEAD	LIGHT ASSY HEAD	1	
	33120	33120-KKC4-E00	1	UNIT HEAD LIGHT	UNIT HEAD LIGHT	1	
	33130	33130-KKC4-E00	0	SOCKET COMP HEAD	SOCKET COMP HEAD	1	
	34901	34901-KED9-900	0	BULB HEAD LIGHT	BULB HEAD LIGHT	1	
	34903	34903-KPCP-900	0	BULB POSITION	BULB POSITION	2	
	93903	93903-35360	0	SCREW TAPPING 5*16	SCREW TAPPING 5*16	4	
#	95701	95701-06012-08	0	BOLT FLANGE 6*12	BOLT FLANGE 6*12	2	

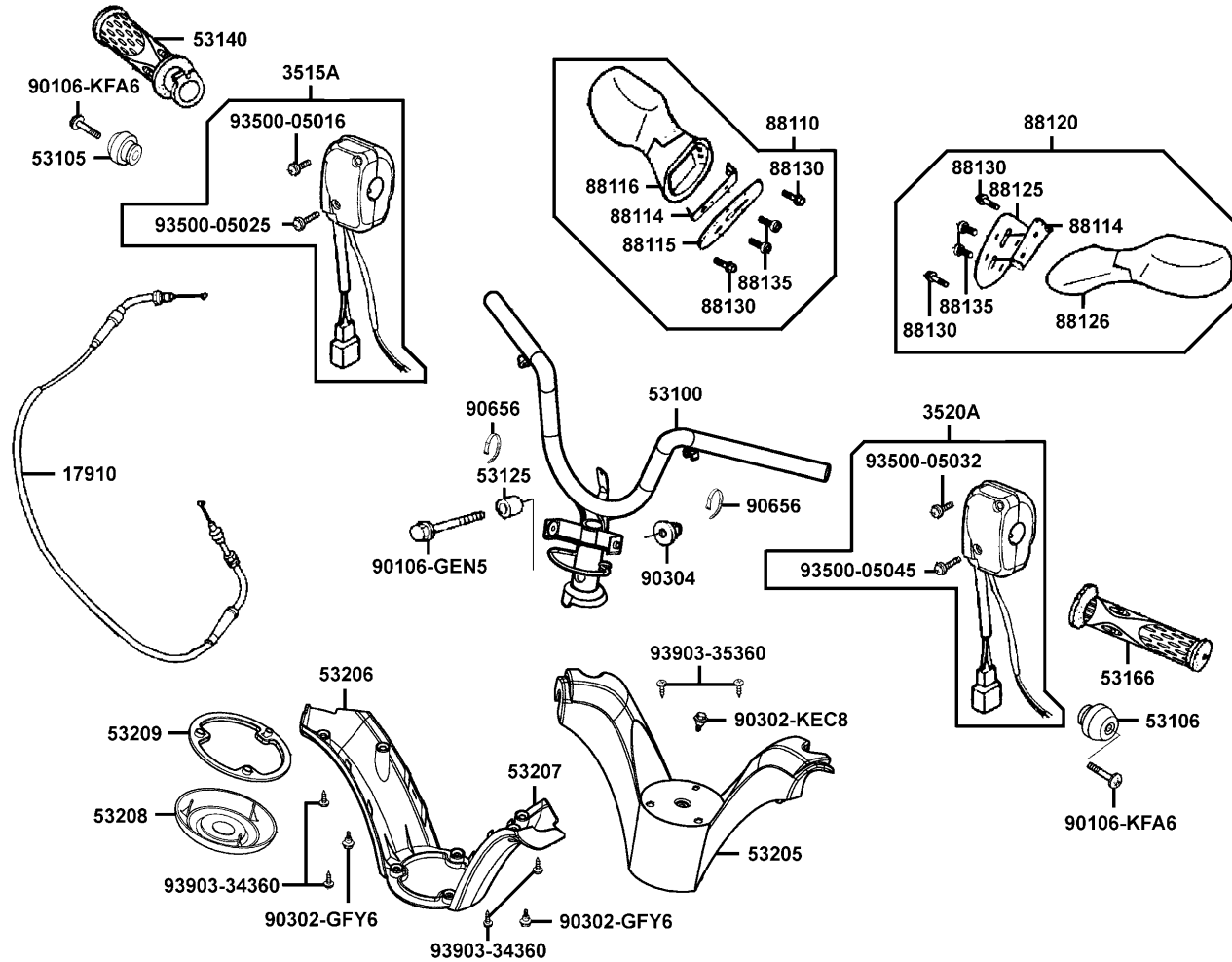
F02

Speedometer



Sales mark	Ref no	Part no	Ver	Description	Reg description	Regd no	F02
	34908	34908-MKB9-87A	0	BULB WEDGE BASE	BULB WEDGE BASE	2	
	37200	37200-KKC1-E00	5	METER ASSY SPEED	METER ASSY SPEED	1	
**	37203	37203-KKC3-900	0	METER COVER FR	METER COVER FR	1	
**	37204	37204-KKC3-900	0	METER COVER RR	METER COVER RR	1	
	37211	37211-KKC3-900	1	LENS ASSY	LENS ASSY	2	
	37213	37213-KKC3-900	1	PACKING	PACKING	2	
	37214	37214-KKC3-900	0	RESET PIN	RESET PIN	2	
	37280	37280-KKC3-900	0	LCD ASSY (CLOCK)	LCD ASSY (CLOCK)	2	
	44830	44830-KKC4-900	3	CABLE COMP SPDMT	CABLE COMP SPDMT	1	
	44831	44831-KKC4-900	0	CABLE INNER	CABLE INNER	1	
	64327	64327-KKC4-900	1	SPONGE TAPE METER COVER	SPONGE TAPE METER COVER	2	
	64328	64328-KKC4-900	0	SPONGE TAPE METER COVER	SPONGE TAPE METER COVER	1	
	90302	90302-GFY6-940	1	BOLT-WASH 5*16	BOLT-WASH 5*16	3	
	90915	90915-KKC4-900	1	TUBE DRAIN	TUBE DRAIN	1	
	93700	93700-05018-0H	0	SCREW OVAL 5*18	SCREW OVAL 5*18	1	
	95002	95002-50000	0	CLIP C9 TUBE	CLIP C9 TUBE	1	

Handle Steering Handle Cover

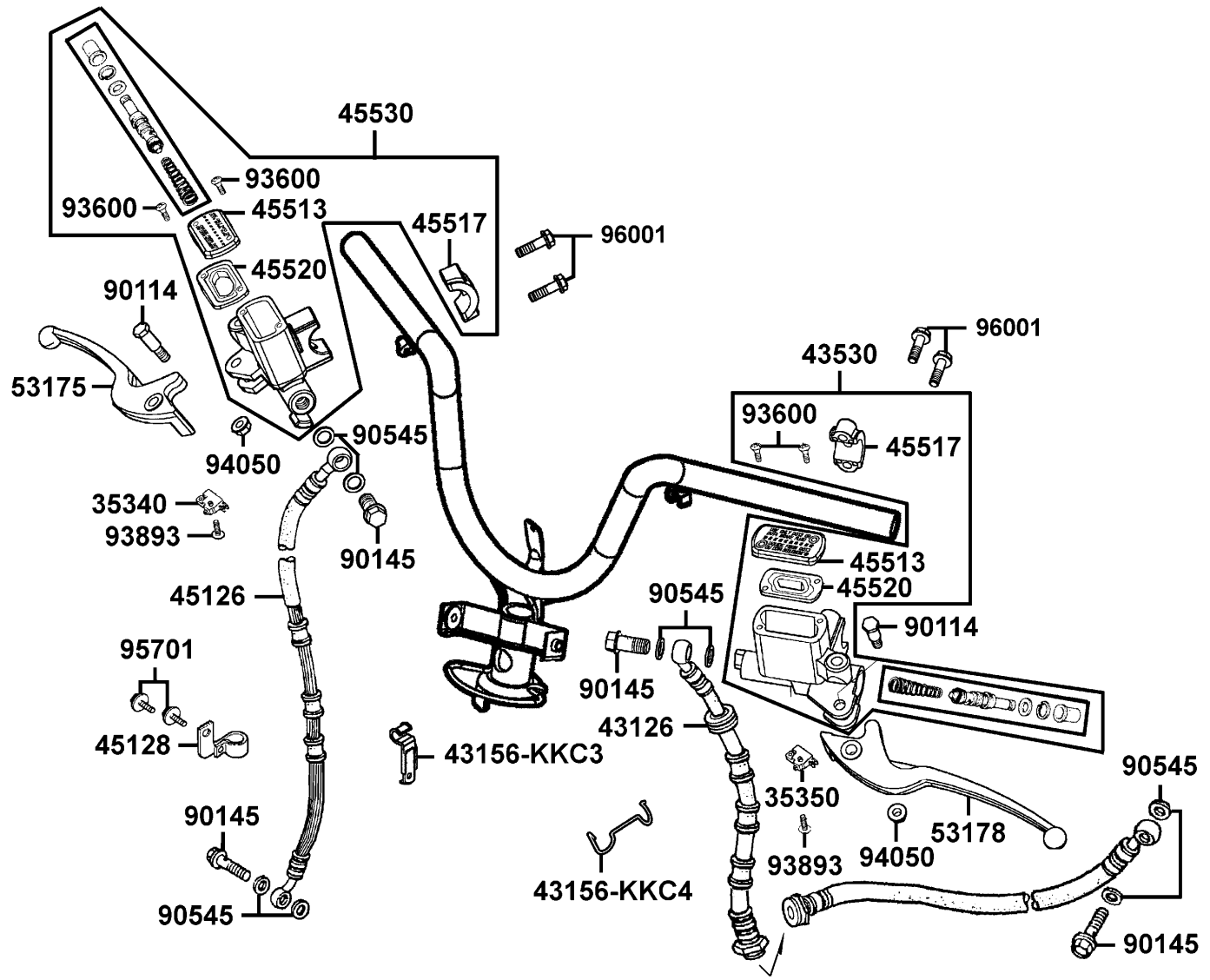


Sales mark	Ref no	Part no	Ver	Description	Reg description	Regd no	F03
	17910	17910-KKC2-810	2	CABLE COMP THROT	CABLE COMP THROT	1	
	3515A	3515A-KKC2-E00	0	SW ASSY RH HNDL COMP	SW ASSY RH HNDL COMP	1	
	3520A	3520A-KEBE-900	2	SW ASSY L HNDL COMP	SW ASSY L HNDL COMP	1	
	53100	53100-KKC4-900	0	HANDLE COMP STRG	HANDLE COMP STRG	1	
	53105	53105-KKC4-900	0	END R STRG HANDLE	END R STRG HANDLE	1	
	53106	53106-KKC4-900	0	END L STRG HANDLE	END L STRG HANDLE	1	
	53125	53125-GEN5-901	0	COLLAR HANDLE SET	COLLAR HANDLE SET	1	
**	53140	53140-KKC3-900	0	GRIP COMP THROT	GRIP COMP THROT	1	
**	53166	53166-KGB5-900	0	GRIP L HANDLE	GRIP L HANDLE	1	
**	53205	53205-KKC4-900	2	COVER HNDL UP	COVER HNDL UP	1	
**	53206	53206-KKC4-900	1	COVER R HANDLE LOW	COVER R HANDLE LOW	1	
**	53207	53207-KKC4-900	0	COVER L HANDLE LOW	COVER L HANDLE LOW	1	
**	53208	53208-KKC4-900	0	GRILL HANDLE UP	GRILL HANDLE UP	1	
	53209	53209-KKC4-900	0	PACKING HANDLE UP	PACKING HANDLE UP	1	
**	88110	88110-LFD9-E00	2	MIRROR ASSY R BACK	MIRROR ASSY R BACK	1	
	88114	88114-KKC4-900	3	STAY MIRROR	STAY MIRROR	2	
	88115	88115-KKC4-900	0	PAD R MIRROR	PAD R MIRROR	1	
	88116	88116-KKC4-900	3	BASE R MIRROR	BASE R MIRROR	1	
**	88120	88120-LFD9-E00	2	MIRROR ASSY L BACK	MIRROR ASSY L BACK	1	
	88125	88125-KKC4-900	0	PAD L MIRROR	PAD L MIRROR	1	

Sales mark	Ref no	Part no	Ver	Description	Reg description	Regd no	F03
	88126	88126-KKC4-900	3	BASE L MIRROR	BASE L MIRROR	1	
	88130	88130-KKC4-900	0	BOLT SPECIAL	BOLT SPECIAL	4	
	88135	88135-KKC4-900	1	SCREW PAN 5*20	SCREW PAN 5*20	4	
	90106-GEN5	90106-GEN5-901	0	BOLT FLANGE 10*50	BOLT FLANGE 10*50	1	
	90106-KFA6	90106-KFA6-900	0	BOLT WASH 8MM	BOLT WASH 8MM	2	
	90302-GFY6	90302-GFY6-901	1	BOLT WASH 5*12	BOLT WASH 5*12	2	
	90302-KEC8	90302-KEC8-900	1	BOLT PAN 5*9	BOLT PAN 5*9	1	
#	90304	90304-GHE8-004	0	NUT U 10MM	NUT U 10MM	1	
#	90656	90656-GFY6-911	0	BAND OIL HOSE	BAND OIL HOSE	2	
	93500-05016	93500-05016-1B	0	SCREW PAN 5*16	SCREW PAN 5*16	1	
	93500-05025	93500-05025-1B	0	SCREW PAN 5*25	SCREW PAN 5*25	1	
	93500-05032	93500-05032-1B	0	SCREW PAN 5*32	SCREW PAN 5*32	1	
	93500-05045	93500-05045-1B	0	SCREW PAN 5*45	SCREW PAN 5*45	1	
#	93903-34360	93903-34360	0	SCREW TAPPING 4*12	SCREW TAPPING 4*12	4	
	93903-35360	93903-35360	0	SCREW TAPPING 5*16	SCREW TAPPING 5*16	2	

F04

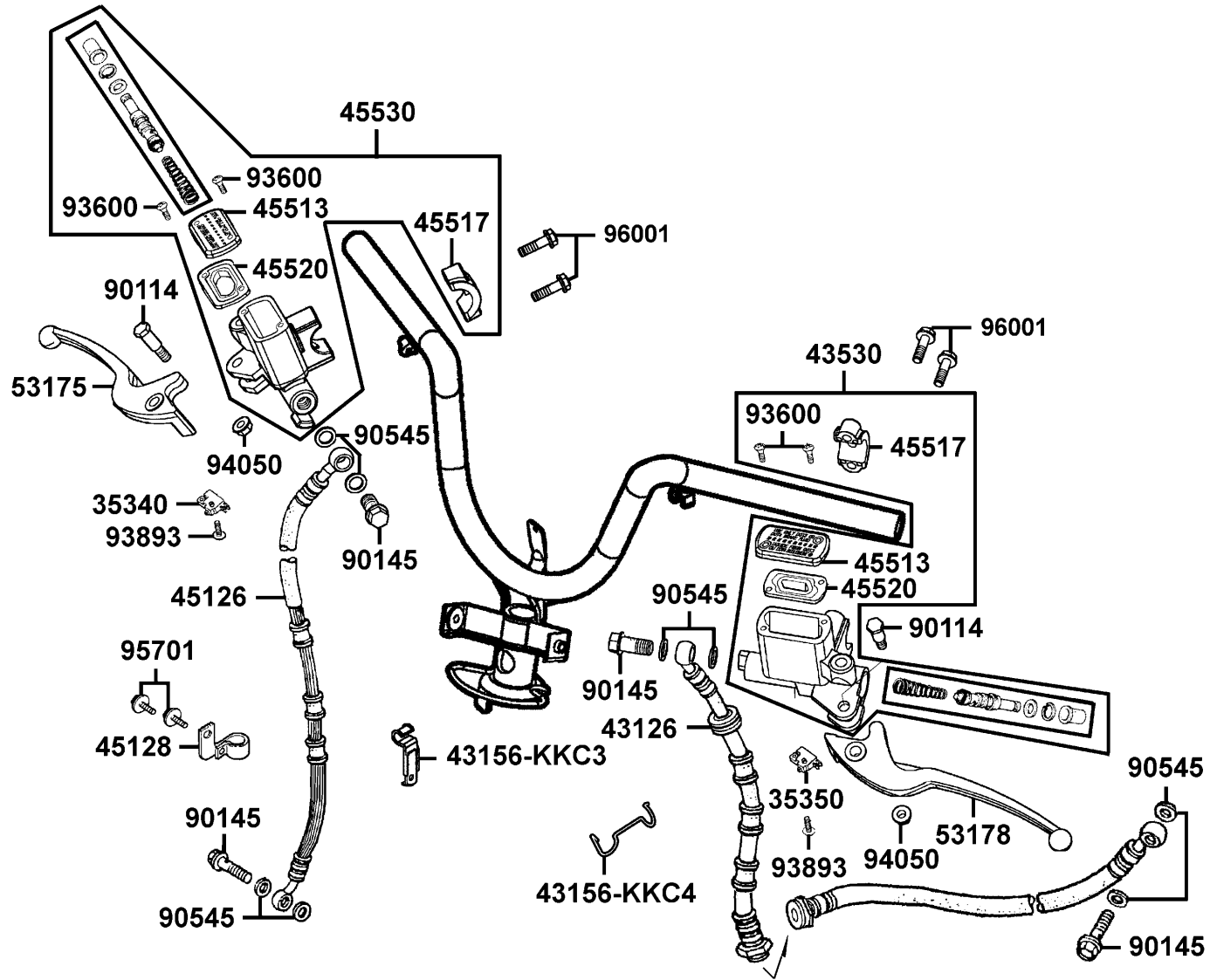
Brake Master Cylinder



Sales mark	Ref no	Part no	Ver	Description	Reg description	Regd no	F04
	35340	35340-KNBN-901	0	SW ASSY FR STOP	SW ASSY FR STOP	1	
	35350	35350-KNBN-901	0	SW ASSY RR STOP	SW ASSY RR STOP	1	
	43126	43126-KKC2-E00	1	HOSE ASSY RR BRAAKE	HOSE ASSY RR BRAAKE	1	
	43156-KKC3	43156-KKC3-900	0	CLAMPER B HOSE RR	CLAMPER B HOSE RR	1	
	43156-KKC4	43156-KKC4-900	1	CLAMPER HOSE RR	CLAMPER HOSE RR	1	
	43530	43530-KFC8-305	1	CYLN SET RR MASTER	CYLN SET RR MASTER	1	
	45126	45126-KKC2-900	2	HOSE ASSY FR BRK	HOSE ASSY FR BRK	1	
	45128	45128-KEBE-900	0	CLAMPER FR BRAKE HOSE	CLAMPER FR BRAKE HOSE	1	
	45513	45513-KXCX-M00	1	CAP MASTER CYLINDER	CAP MASTER CYLINDER	2	
	45517	45517-KFAF-910	0	HOLDER M/C	HOLDER M/C	2	
	45520	45520-GLW0-91A	0	DIAPHRAGM	DIAPHRAGM	2	
	45530	45530-KFC8-E00-IT	2	CYLN SET FR MASTER	CYLN SET FR MASTER	1	
**	53175	53175-KFA5-E10	0	LEVER R STRG HNDL	LEVER R STRG HNDL	1	
**	53178	53178-KFC8-E10	0	LEVER L STRG HNDL	LEVER L STRG HNDL	1	
	90114	90114-1F66-007	2	BOLT HANDLE LEVER	BOLT HANDLE LEVER	2	
	90145	90145-MKS9-61A	1	OIL BOLT 10*22	OIL BOLT 10*22	4	
	90545	90545-3L00-001	2	WASHER OIL BOLT	WASHER OIL BOLT	8	
	93600	93600-04012-1G	0	SCREW FLAT 4*12	SCREW FLAT 4*12	4	
	93893	93893-04012-18	0	SCREW WASHER 4*12	SCREW WASHER 4*12	2	
	94050	94050-06060	0	NUT FLANGE 6MM	NUT FLANGE 6MM	2	

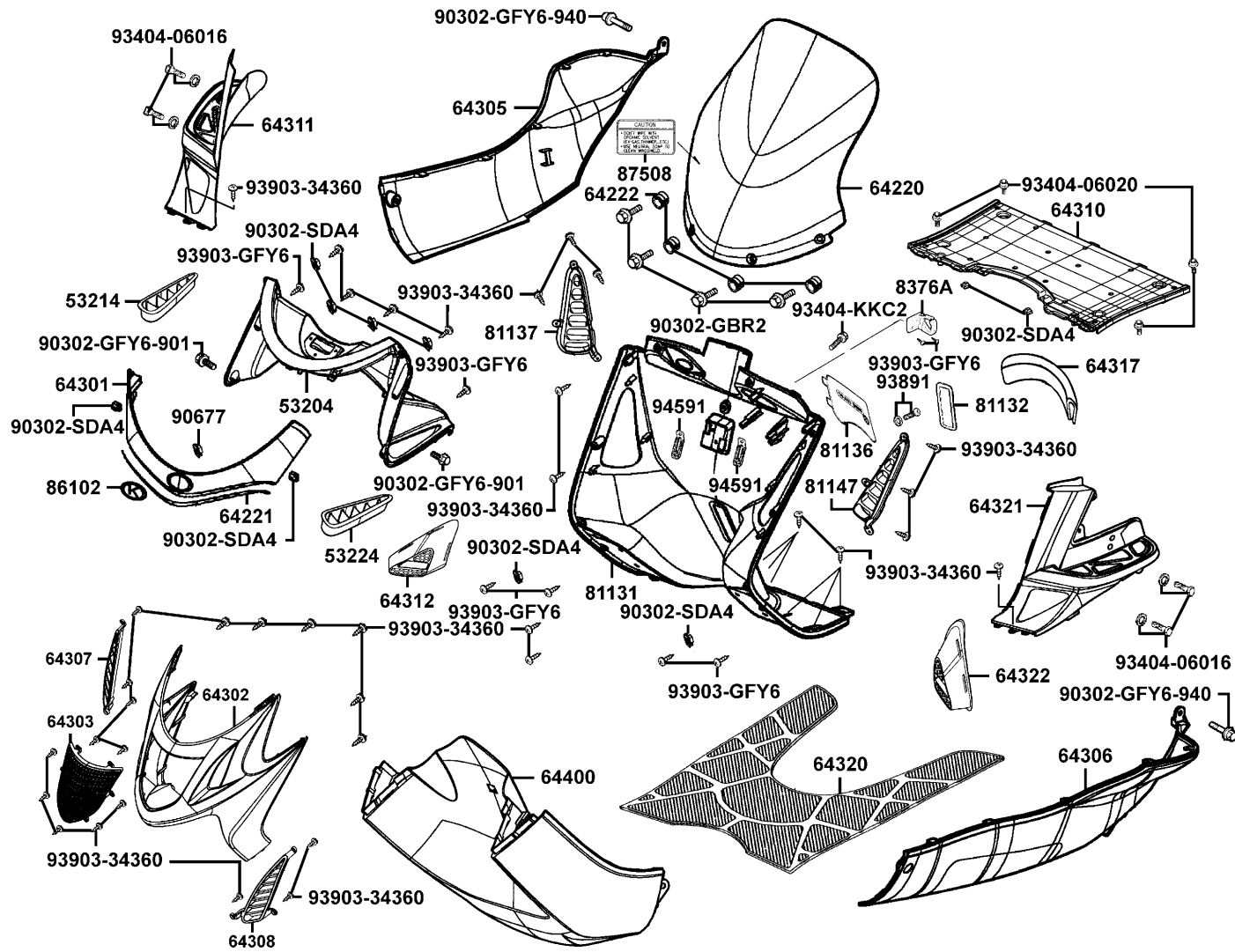
F04

Brake Master Cylinder



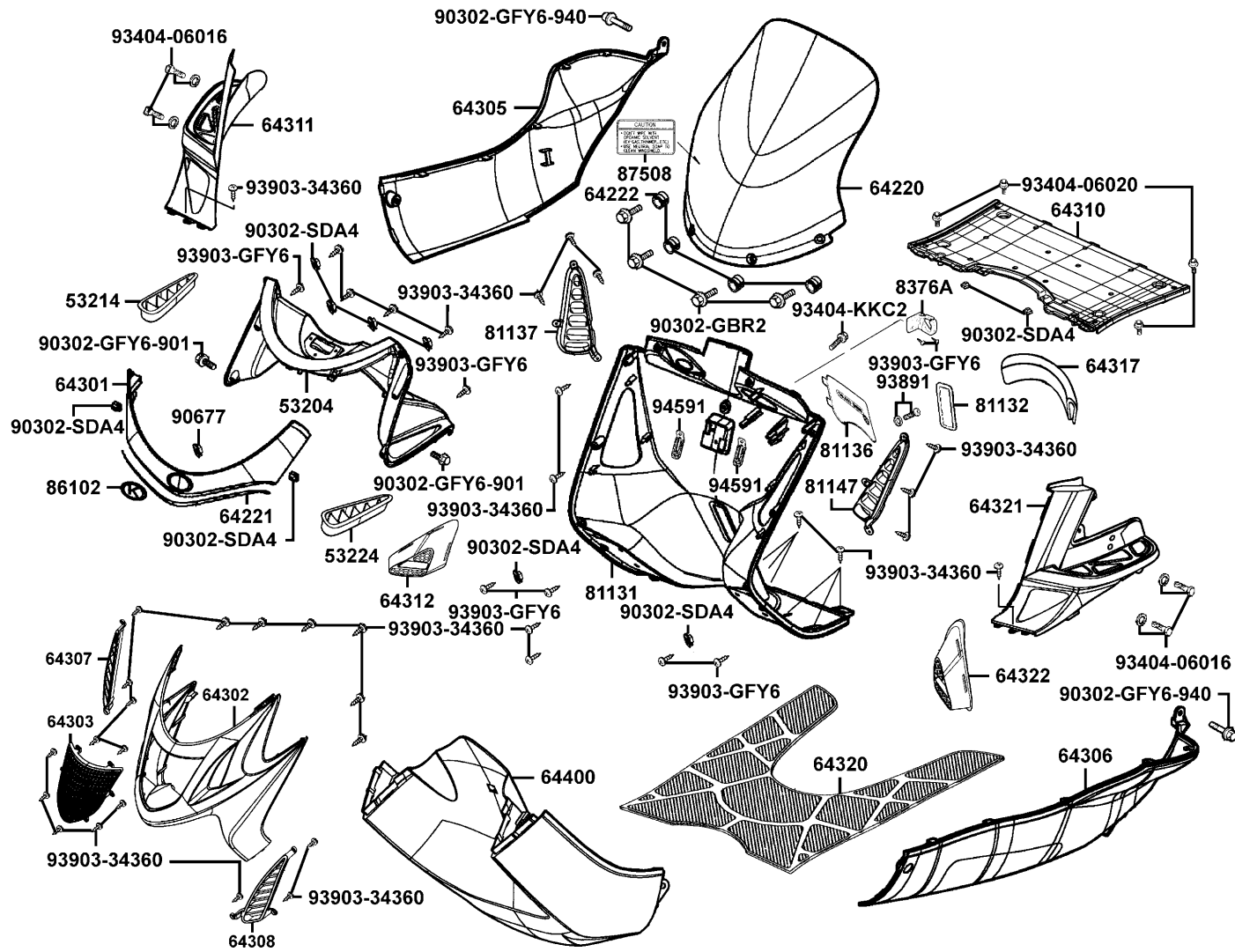
Sales mark	Ref no	Part no	Ver	Description	Reg description	Regd no	F04
#	95701	95701-06012-08	0	BOLT FLANGE 6*12	BOLT FLANGE 6*12	2	
	96001	96001-06022-06	1	BOLT FLANGE 6*20	BOLT FLANGE 6*20	4	

Front Cover Fr Fender



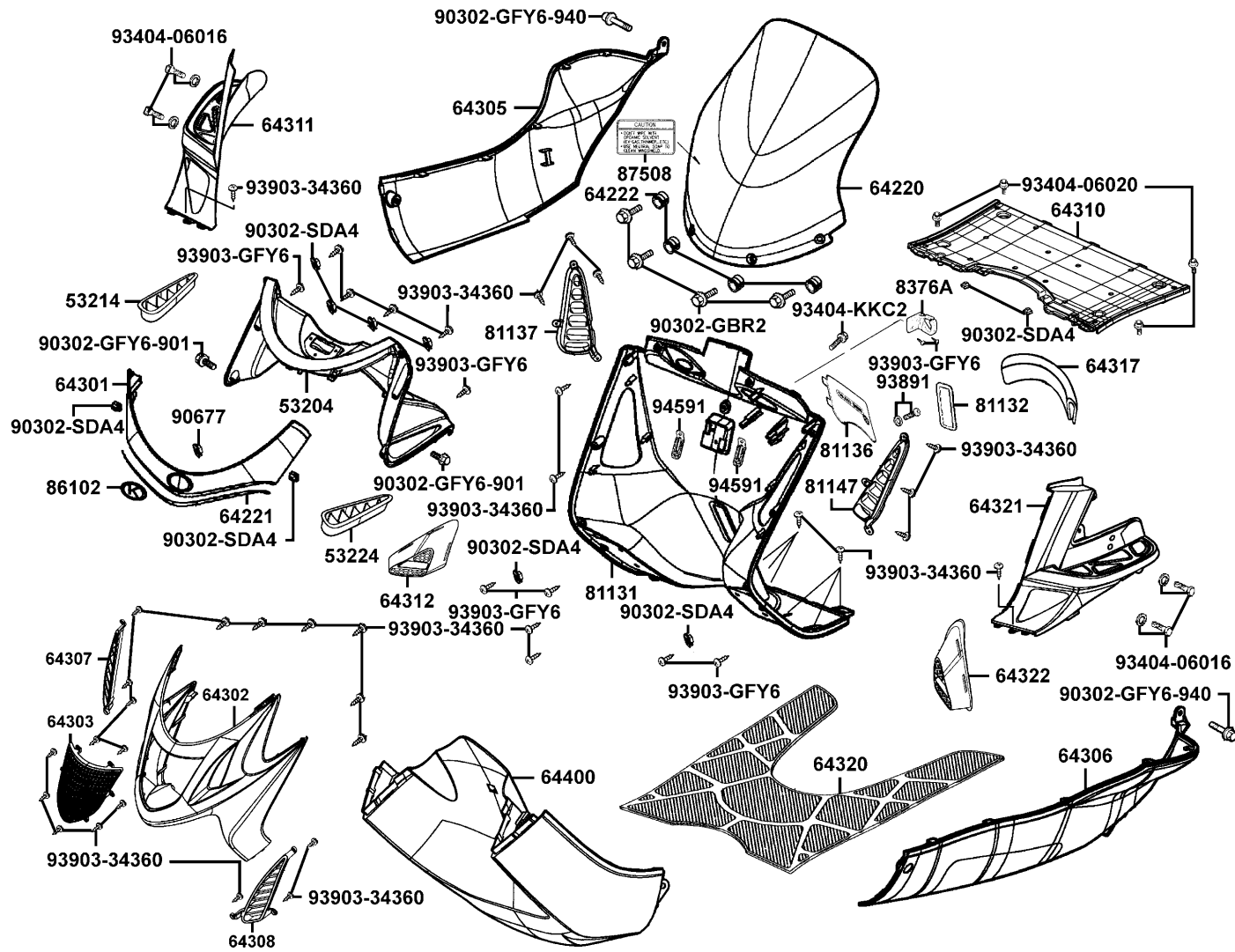
Sales mark	Ref no	Part no	Ver	Description	Reg description	Regd no	F05
**	53204	53204-KKC4-900	2	COVER METER	COVER METER	1	
**	53214	53214-KKC4-900	0	GRID R METER COVER	GRID R METER COVER	1	
**	53224	53224-KKC4-900	0	GRID L METER COVER	GRID L METER COVER	1	
	64220	64220-KKC4-900	1	WIND SCREEN	WIND SCREEN	1	
	64221	64221-KKC4-900	0	SEAL WIND SCREEN	SEAL WIND SCREEN	1	
	64222	64222-KKC4-900	3	RUBBER WIND SCREEN	RUBBER WIND SCREEN	4	
**	64301	64301-KKC4-900	0	COVER SCREEN	COVER SCREEN	1	
**	64302	64302-LFD9-E00	2	MOLDING FR	MOLDING FR	1	
**	64303	64303-LFD9-E00	2	LID FR MOLDING	LID FR MOLDING	1	
**	64305	64305-KKC4-900	2	SKIRT R SIDE	SKIRT R SIDE	1	
**	64306	64306-KKC4-900	2	SKIRT L SIDE	SKIRT L SIDE	1	
**	64307	64307-LFD9-E00	1	GRILLE R FR MOLDING	GRILLE R FR MOLDING	1	
**	64308	64308-LFD9-E00	1	GRILLE L FR MOLDING	GRILLE L FR MOLDING	1	
**	64310	64310-KKC4-900	0	FLOOR PANEL	FLOOR PANEL	1	
**	64311	64311-KKC4-900	3	COVER R PILLION STEP	COVER R PILLION STEP	1	
**	64312	64312-KKC4-900	3	GRID R PILLION STEP	GRID R PILLION STEP	1	
**	64317	64317-KKC4-900	1	SEAL METER COVER FR	SEAL METER COVER FR	1	
**	64320	64320-KKC4-900	0	MAT FLOOR	MAT FLOOR	1	
**	64321	64321-KKC4-900	3	COVER L PILLION STEP	COVER L PILLION STEP	1	
**	64322	64322-KKC4-900	1	GRID L PILLION STEP	GRID L PILLION STEP	1	

Front Cover Fr Fender



Sales mark	Ref no	Part no	Ver	Description	Reg description	Regd no	F05
**	64400	64400-KKC4-900	0	COWL UNDER	COWL UNDER	1	
**	81131	81131-KKC4-900	0	LEG SHIELD	LEG SHIELD	1	
**	81132	81132-KEB7-900	1	LID LEG SHIELD	LID LEG SHIELD	1	
**	81136	81136-KKC4-900	0	LID RESERVE TANK	LID RESERVE TANK	1	
**	81137	81137-KKC4-900	0	GRID R LEG SHIELD	GRID R LEG SHIELD	1	
**	81147	81147-KKC4-900	0	GRID L LEG SHIELD	GRID L LEG SHIELD	1	
	8376A	8376A-KEBE-900	4	CLIP ASSY CENTER	CLIP ASSY CENTER	1	
**	86102	86102-LEA5-E00	1	EMB K-LOGO 28MM	EMB K-LOGO 28MM	1	
**	87508	87508-KKC4-E00	1	LABEL CLEANNESS CAUYION	LABEL CLEANNESS CAUYION	1	
	90302-GBR2	90302-GBR2-001	1	BOLT WASH 5*16	BOLT WASH 5*16	4	
	90302-GFY6-901	90302-GFY6-901	1	BOLT WASH 5*12	BOLT WASH 5*12	2	
	90302-GFY6-940	90302-GFY6-940	1	BOLT-WASH 5*16	BOLT-WASH 5*16	2	
#	90302-SDA4	90302-SDA4-004	1	NUT SPRING 4MM	NUT SPRING 4MM	10	
	90677	90677-GAR1-004	1	NUT CLIP 5MM	NUT CLIP 5MM	1	
#	93404-06016	93404-06016-06	0	BOLT WASHER 6*16	BOLT WASHER 6*16	4	
	93404-06020	93404-06020-06	1	BOLT WASH 6*20	BOLT WASH 6*20	4	
	93404-KKC2	93404-KKC2-900	1	BOLT WASH 6*16	BOLT WASH 6*16	1	
	93891	93891-05012-06	0	SCREW WASHER 5*12	SCREW WASHER 5*12	1	
#	93903-34360	93903-34360	0	SCREW TAPPING 4*12	SCREW TAPPING 4*12	41	
	93903-GFY6	93903-GFY6-900	1	SCREW TAPPING 4*14	SCREW TAPPING 4*14	8	

Front Cover Fr Fender

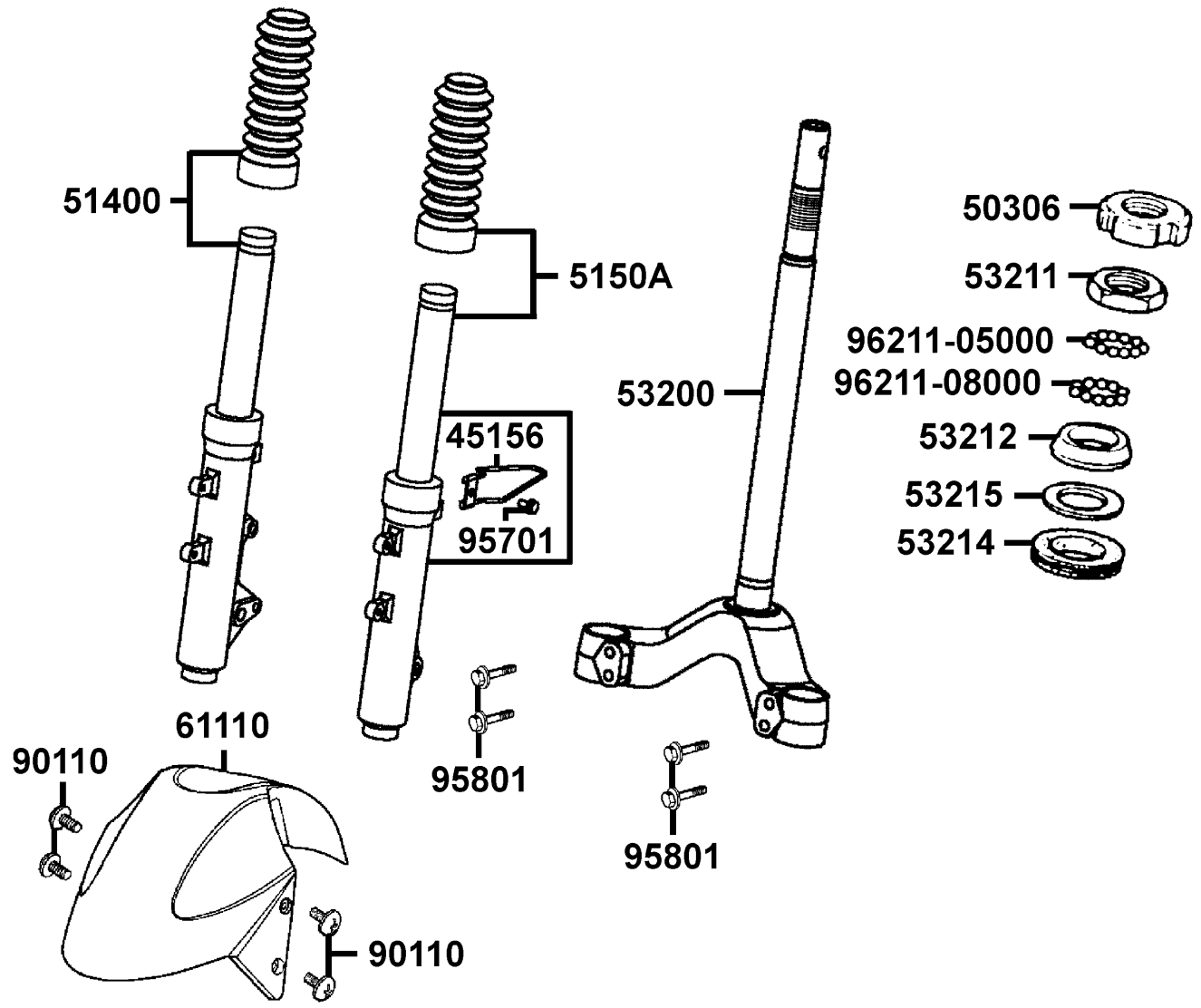


Sales mark	Ref no	Part no	Ver	Description	Reg description	Regd no	F05
------------	--------	---------	-----	-------------	-----------------	---------	------------

#	94591	94591-27000	0	CLIP 2*70	CLIP 2*70	2	
---	-------	-------------	---	-----------	-----------	---	--

F06

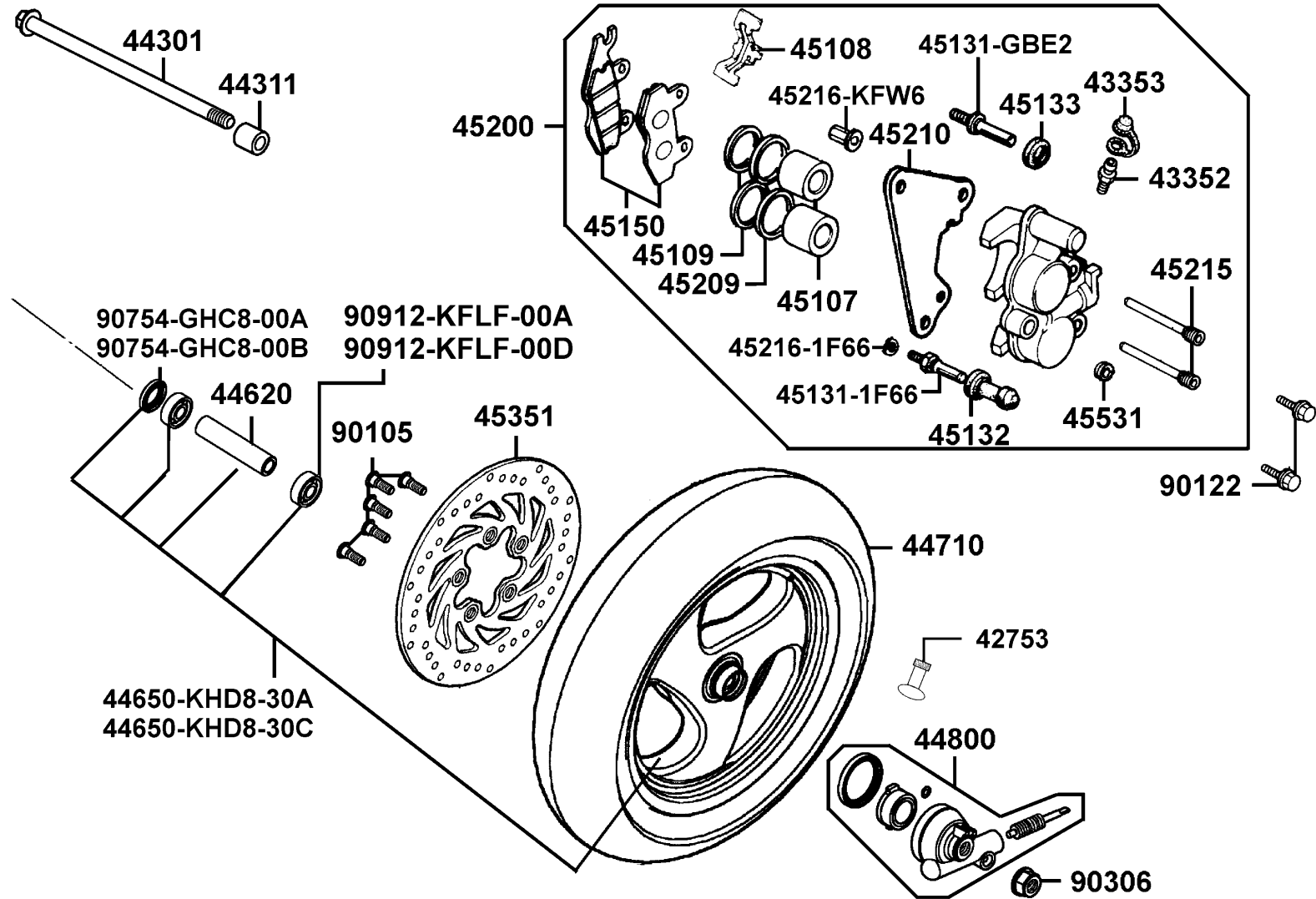
Stem Steering Front Cushion



Sales mark	Ref no	Part no	Ver	Description	Reg description	Regd no	F06
	45156	45156-KECE-900	2	CLAMPER FR BRK CABLE	CLAMPER FR BRK CABLE	1	
	50306	50306-1F96-001	0	NUT STRG STEM LOCK	NUT STRG STEM LOCK	1	
**	51400	51400-KKC4-900	2	FORK ASSY R FR	FORK ASSY R FR	1	
**	5150A	5150A-KKC4-900	3	FORK SET L FR	FORK SET L FR	1	
	53200	53200-KKC2-900	2	STEM COMP STRG	STEM COMP STRG	1	
	53211	53211-GFY6-940	1	RACE STRG TOP CONE	RACE STRG TOP CONE	1	
	53212	53212-2L50-011	1	RACE STRG BOT CONE	RACE STRG BOT CONE	1	
	53214	53214-2L50-001	0	DUST SEAL STRG(HEAD)	DUST SEAL STRG(HEAD)	1	
	53215	53215-2L50-001	0	WASH STRG HDL DUST-SEAL	WASH STRG HDL DUST-SEAL	1	
**	61110	61110-KHD8-900	2	FENDER FR	FENDER FR	1	
	90110	90110-KEB7-900	1	SCREW SPECIAL 6*14	SCREW SPECIAL 6*14	4	
#	95701	95701-06012-08	0	BOLT FLANGE 6*12	BOLT FLANGE 6*12	1	
	95801	95801-08040-08	0	BOLT FLANGE 8*40	BOLT FLANGE 8*40	4	
	96211-05000	96211-05000	0	BALL STEEL 5	BALL STEEL 5	26	
	96211-08000	96211-08000	0	BALL STEEL 8MM	BALL STEEL 8MM	19	

F07

Front Wheel

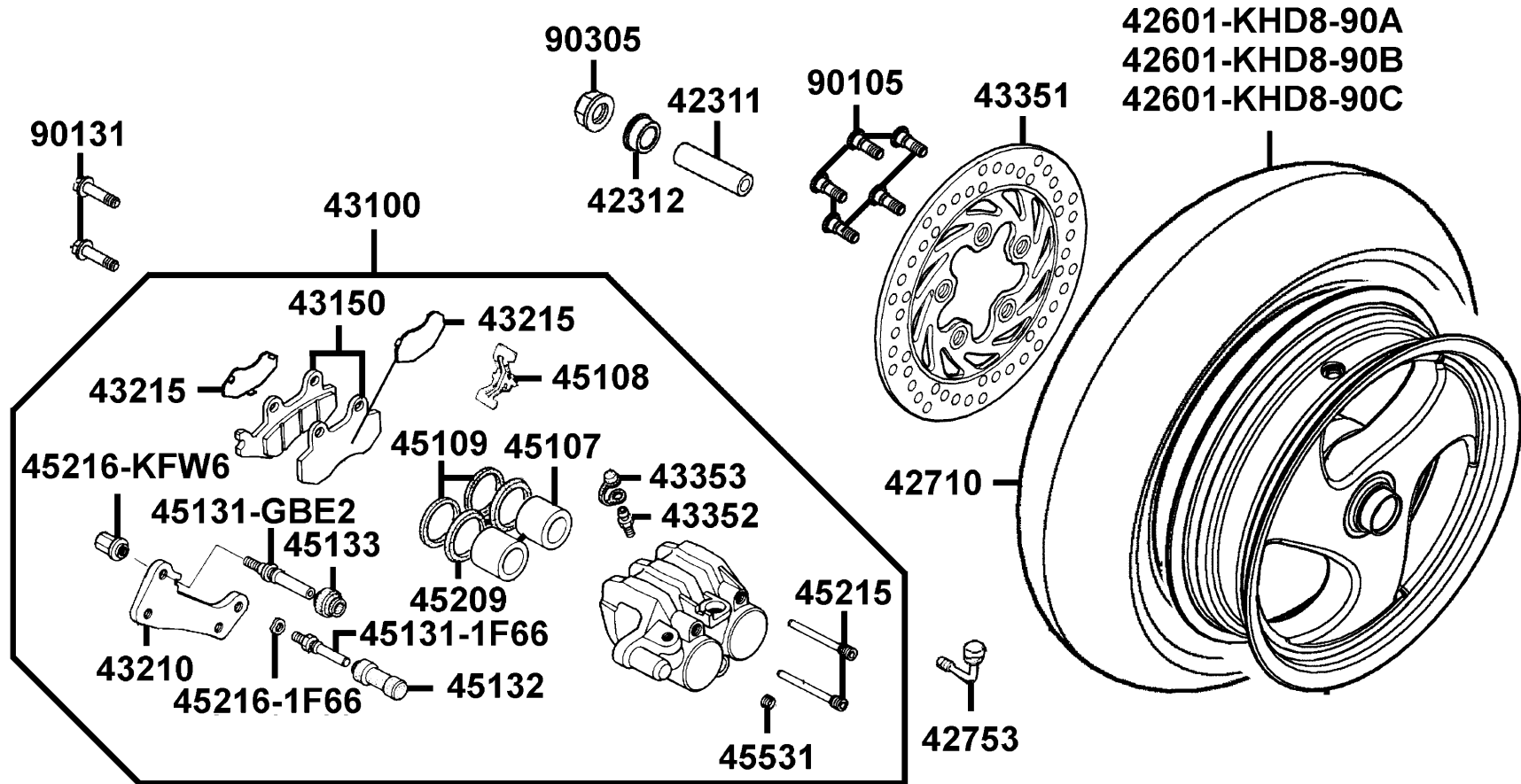


Sales mark	Ref no	Part no	Ver	Description	Reg description	Regd no	F07
	42753	42753-KNBN-90B	1	VALVE RIM (TR 412)	VALVE RIM (TR 412)	1	
	43352	43352-5H68-004	3	SCREW BLEEDER	SCREW BLEEDER	1	
	43353	43353-4A61-77A	0	CAP BLEEDER	CAP BLEEDER	1	
	44301	44301-KXCX-900	4	AXLE FR WHEEL	AXLE FR WHEEL	1	
	44311	44311-KEBE-900	0	COLLAR FR WHEEL SIDE	COLLAR FR WHEEL SIDE	1	
	44620	44620-KHD8-900	1	COLLAR FR AXLE DISTANCE	COLLAR FR AXLE DISTANCE	1	
**	44650-KHD8-30A	44650-KHD8-30A	3	WHEEL SET FR	WHEEL SET FR	1	
**	44650-KHD8-30C	44650-KHD8-30C	4	WHEEL SET FR	WHEEL SET FR	1	
	44710	44710-KKC4-E30	1	TIRE ASSY FR	TIRE ASSY FR	1	
	44800	44800-KFA5-900	1	GEAR BOX ASSY	GEAR BOX ASSY	1	
	45107	45107-MEN5-007	0	PISTON	PISTON	2	
	45108	45108-MDL4-007	2	PAD SPG	PAD SPG	1	
	45109	45109-GBE2-007	0	DUST SEAL	DUST SEAL	2	
	45131-1F66	45131-1F66-017	0	PIN BOLT	PIN BOLT	1	
	45131-GBE2	45131-GBE2-007	1	PIN BOLT A	PIN BOLT A	1	
	45132	45132-1F66-017	0	BUSH BOOT PIN	BUSH BOOT PIN	1	
	45133	45133-MCA3-007	0	BOOT B	BOOT B	1	
	45150	45150-LLB5-305	0	PAD COMP	PAD COMP	1	
**	45200	45200-KKC2-E00	1	CALIPER ASSY FR	CALIPER ASSY FR	1	
	45209	45209-GBE2-007	0	SEAL PISTON	SEAL PISTON	2	

Sales mark	Ref no	Part no	Ver	Description	Reg description	Regd no	F07
	45210	45210-KHD8-900	0	BRACKET FR	BRACKET FR	1	
	45215	45215-KECE-900	0	PIN HANGER	PIN HANGER	2	
	45216-1F66	45216-1F66-007	0	WASHER WAVE	WASHER WAVE	1	
	45216-KFW6	45216-KFW6-90A	0	TORQUE NUT	TORQUE NUT	1	
	45351	45351-KHE7-E00	1	DISK RR BRAKE	DISK RR BRAKE	1	
**	45531	45531-GAR1-951	0	PLUG	PLUG	1	
	90105	90105-KCR3-001	1	BOLT FR DISK 8*24	BOLT FR DISK 8*24	5	
	90122	90122-KEBE-900	2	BOLT FLANGE 8*32	BOLT FLANGE 8*32	2	
	90306	90306-KLF0-004-SY	1	NUT FLANGE 12MM	NUT FLANGE 12MM	1	
	90754-GHC8-00A	90754-GHC8-00A	1	SEAL DUST 20*32*5	SEAL DUST 20*32*5	1	
	90754-GHC8-00B	90754-GHC8-00B	1	SEAL DUST 20*32*5	SEAL DUST 20*32*5	1	
	90912-KFLF-00A	90912-KFLF-00A	0	BEARING 6201 LLU	BEARING 6201 LLU	2	
	90912-KFLF-00D	90912-KFLF-00D	0	BEARING 6201 LLU	BEARING 6201 LLU	2	

F08

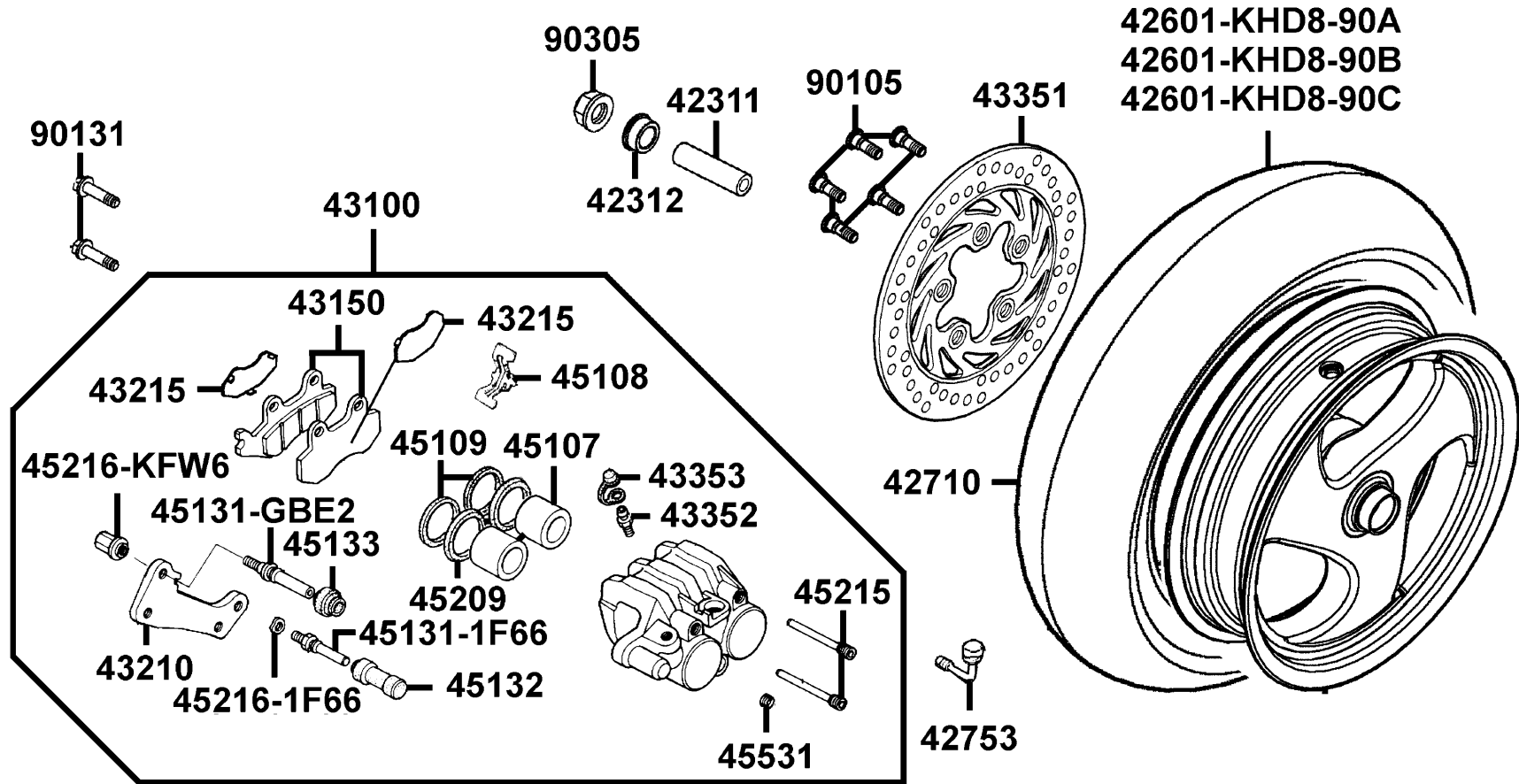
Rear Wheel



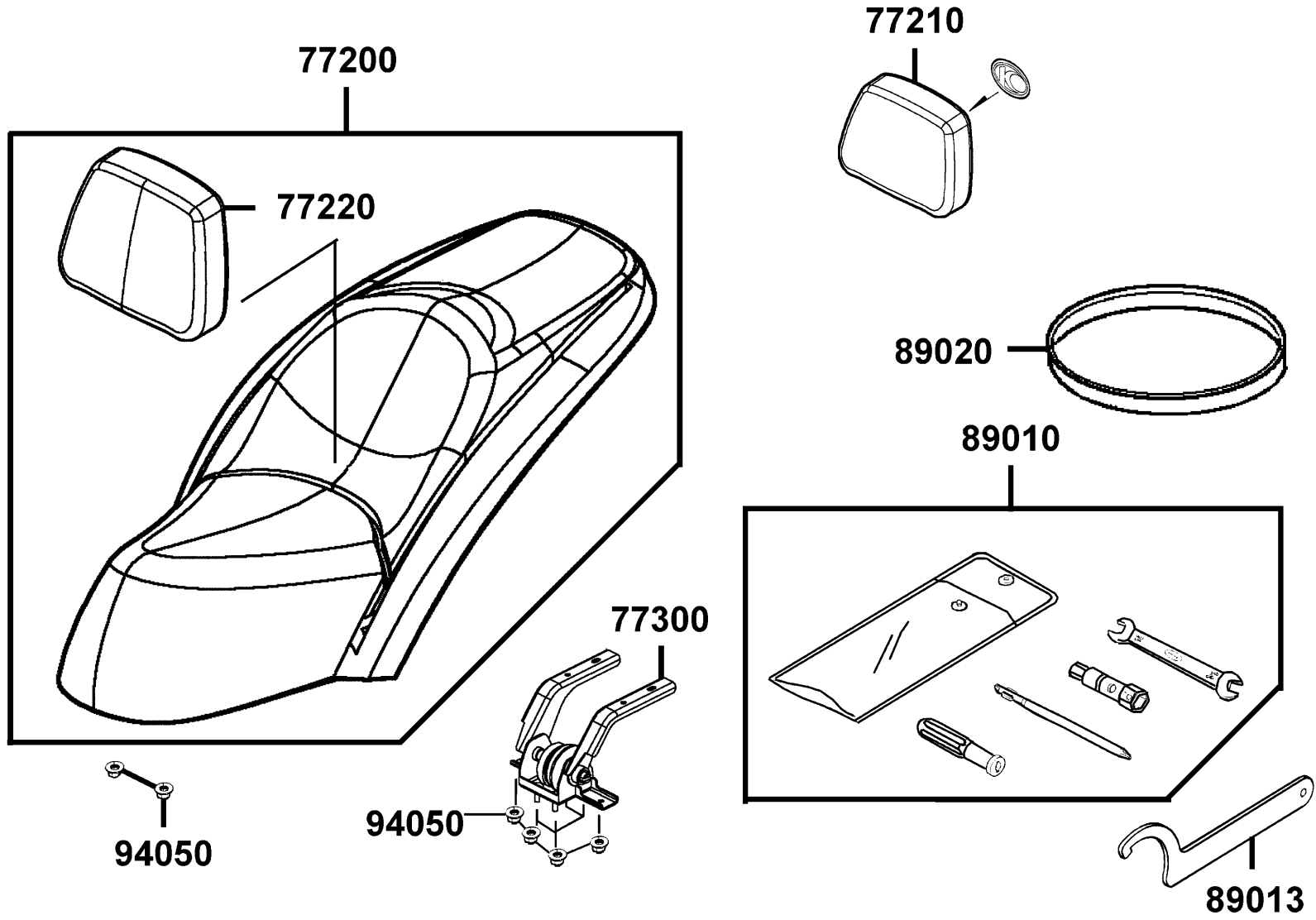
Sales mark	Ref no	Part no	Ver	Description	Reg description	Regd no	F08
	42311	42311-KFC8-900	2	COLLAR RR AXLE A	COLLAR RR AXLE A	1	
	42312	42312-KEBE-900	0	COLLAR RR AXLE SIDE	COLLAR RR AXLE SIDE	1	
**	42601-KHD8-90A	42601-KHD8-90A	3	WHEEL RR CAST	WHEEL RR CAST	1	
**	42601-KHD8-90B	42601-KHD8-90B	2	WHEEL RR CAST	WHEEL RR CAST	1	
**	42601-KHD8-90C	42601-KHD8-90C	2	WHEEL RR CAST	WHEEL RR CAST	1	
	42710	42710-KKC4-E30	1	TIRE ASSY RR	TIRE ASSY RR	1	
	42753	42753-KNBN-90B	1	VALVE RIM (TR 412)	VALVE RIM (TR 412)	1	
**	43100	43100-KEBE-910	1	CALIPER ASSY RR	CALIPER ASSY RR	1	
	43150	43150-KEBE-306	0	PAD COMP	PAD COMP	1	
**	43210	43210-KEBE-900	2	BRACKET RR	BRACKET RR	1	
	43215	43215-KEBE-900	0	PAD HANGER	PAD HANGER	2	
	43351	43351-KHE7-E00	2	DISK RR BRAKE	DISK RR BRAKE	1	
	43352	43352-5H68-004	3	SCREW BLEEDER	SCREW BLEEDER	1	
	43353	43353-4A61-77A	0	CAP BLEEDER	CAP BLEEDER	1	
	45107	45107-MEN5-007	0	PISTON	PISTON	2	
	45108	45108-MDL4-007	2	PAD SPG	PAD SPG	1	
	45109	45109-GBE2-007	0	DUST SEAL	DUST SEAL	2	
	45131-1F66	45131-1F66-017	0	PIN BOLT	PIN BOLT	1	
	45131-GBE2	45131-GBE2-007	1	PIN BOLT A	PIN BOLT A	1	
	45132	45132-1F66-017	0	BUSH BOOT PIN	BUSH BOOT PIN	1	

F08

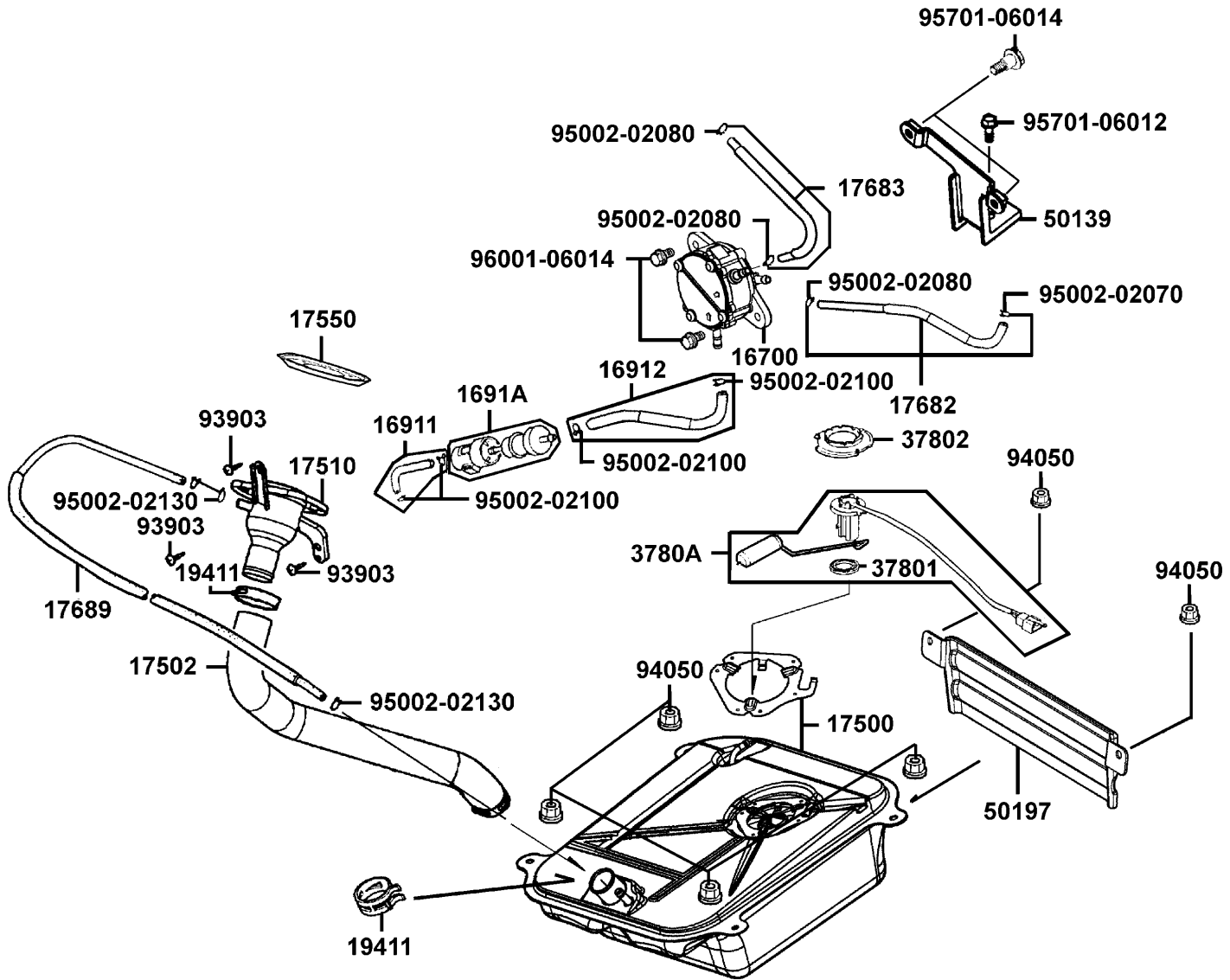
Rear Wheel



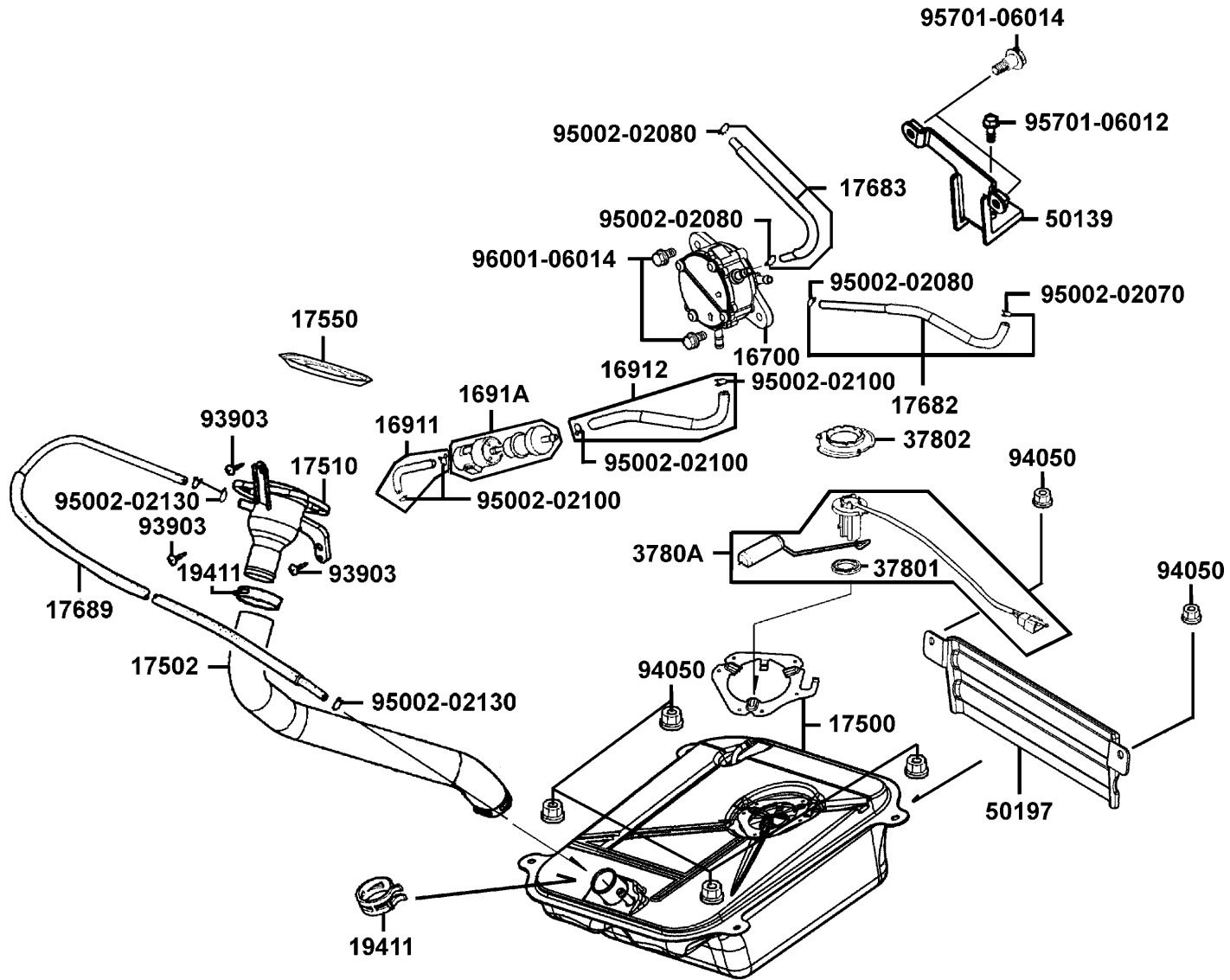
Sales mark	Ref no	Part no	Ver	Description	Reg description	Regd no	F08
	45133	45133-MCA3-007	0	BOOT B	BOOT B	1	
	45209	45209-GBE2-007	0	SEAL PISTON	SEAL PISTON	2	
	45215	45215-KECE-900	0	PIN HANGER	PIN HANGER	2	
	45216-1F66	45216-1F66-007	0	WASHER WAVE	WASHER WAVE	1	
	45216-KFW6	45216-KFW6-90A	0	TORQUE NUT	TORQUE NUT	1	
**	45531	45531-GAR1-951	0	PLUG	PLUG	1	
	90105	90105-KCR3-001	1	BOLT FR DISK 8*24	BOLT FR DISK 8*24	5	
	90131	90131-GLW0-911	0	BOLT FLANGE 8*35	BOLT FLANGE 8*35	2	
	90305	90305-KFW6-91A	0	NUT U FLANGE 16MM	NUT U FLANGE 16MM	1	



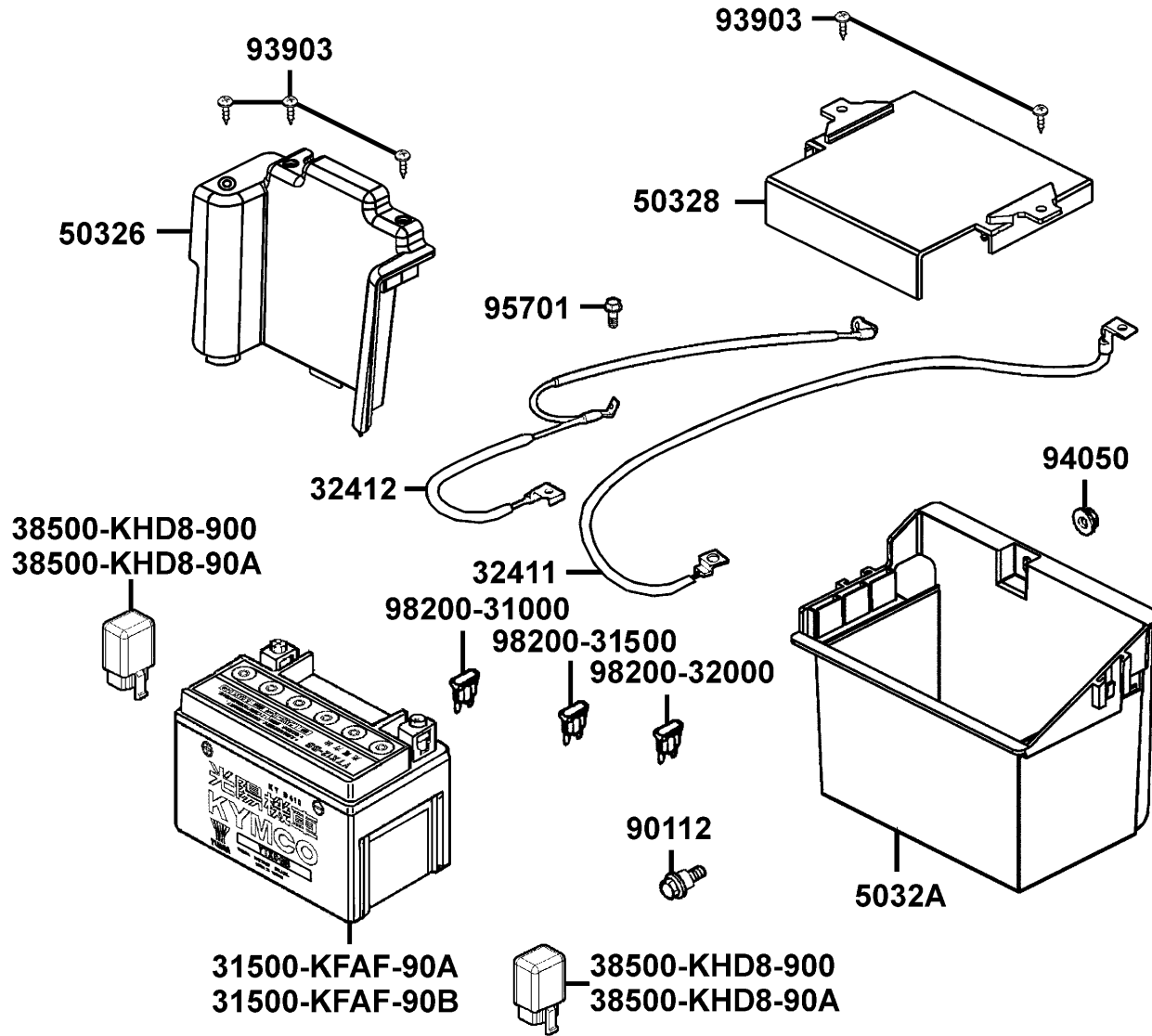
Sales mark	Ref no	Part no	Ver	Description	Reg description	Regd no	F09
**	77200	77200-KKC4-B23	1	SEAT ASSY	SEAT ASSY	1	
**	77210	77210-KKC4-900	0	SEAT ASSY BACK	SEAT ASSY BACK	1	
**	77220	77220-KKC4-910	1	SEAT ASSY PAD	SEAT ASSY PAD	1	
**	77300	77300-KKC4-800	1	HINGE ASSY SEAT	HINGE ASSY SEAT	1	
	89010	89010-KKC4-800	1	TOOL SET	TOOL SET	1	
	89013	89013-KFC8-E00	1	ADJUSTER REAR CUSHION	ADJUSTER REAR CUSHION	1	
	89020	89020-KKC4-900	1	BAND TOOL SET	BAND TOOL SET	1	
#	94050	94050-06080	0	NUT FLANGE 6MM	NUT FLANGE 6MM	6	



Sales mark	Ref no	Part no	Ver	Description	Reg description	Regd no	F10
	16700	16700-KHE7-900	5	FUEL PUMP ASSY	FUEL PUMP ASSY	1	
	16911	16911-KKC4-900	0	TUBE ASSY TANK TO STRAINER	TUBE ASSY TANK TO STRAINER	1	
	16912	16912-KKC4-900	0	TUBE ASSY STRAINER TO FUEL	TUBE ASSY STRAINER TO FUEL	1	
	1691A	1691A-KEC2-E00	0	STRAINER ASSY FUEL	STRAINER ASSY FUEL	1	
	17500	17500-KKC4-900	3	TANK COMP FUEL	TANK COMP FUEL	1	
	17502	17502-KKC4-900	0	TUBE FUEL	TUBE FUEL	1	
	17510	17510-KKC4-E00	0	PIPE ASSY FUEL FILLER	PIPE ASSY FUEL FILLER	1	
	17550	17550-KHC4-900	0	TRAY FUEL CAP	TRAY FUEL CAP	1	
	17682	17682-KKC4-900	0	TUBE ASSY FUEL VACUUM	TUBE ASSY FUEL VACUUM	1	
	17683	17683-KKC4-900	0	TUBE ASSY FUEL	TUBE ASSY FUEL	1	
	17689	17689-KEBE-900	1	TUBE ASSY TANK TO 3 WJT	TUBE ASSY TANK TO 3 WJT	1	
	19411	19411-KBCB-900	0	CLIP HOSE	CLIP HOSE	2	
	37801	37801-GGA7-701	1	PACKING BASE	PACKING BASE	1	
	37802	37802-GGA7-701	2	RET FUEL UNIT	RET FUEL UNIT	1	
	3780A	3780A-KKC3-900	3	FUEL UNIT ASSY	FUEL UNIT ASSY	1	
	50139	50139-KKC4-800	1	BRKT FUEL PUMP	BRKT FUEL PUMP	1	
	50197	50197-KKC4-900	1	STAY FLOOR	STAY FLOOR	1	
	93903	93903-35220	0	SCREW TAPPING 5*12	SCREW TAPPING 5*12	3	
#	94050	94050-06080	0	NUT FLANGE 6MM	NUT FLANGE 6MM	6	
	95002-02070	95002-02070	0	CLIP B7 TUBE	CLIP B7 TUBE	1	



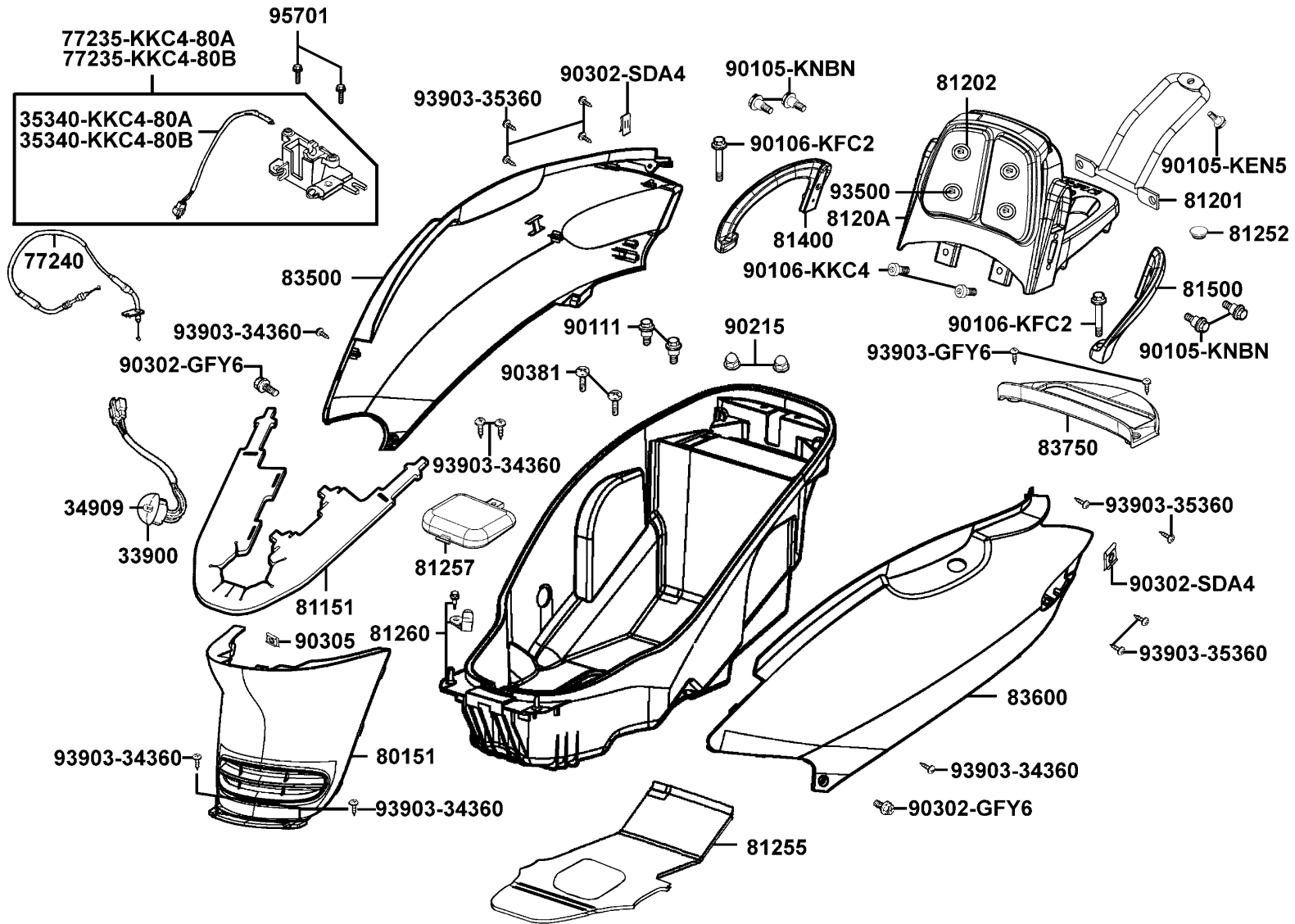
Sales mark	Ref no	Part no	Ver	Description	Reg description	Regd no	F10
	95002-02080	95002-02080	0	CLIP B8 TUBE	CLIP B8 TUBE	3	
	95002-02100	95002-02100	0	CLIP B15 TUBE	CLIP B15 TUBE	4	
	95002-02130	95002-02130	0	CLIP B 12.5 TURE	CLIP B 12.5 TURE	3	
#	95701-06012	95701-06012-08	0	BOLT FLANGE 6*12	BOLT FLANGE 6*12	1	
	95701-06014	95701-06014-08	0	BOLT FLANGE 6*14	BOLT FLANGE 6*14	2	
	96001	96001-06014-08	0	BOLT FLANGE 6*14	BOLT FLANGE 6*14	2	



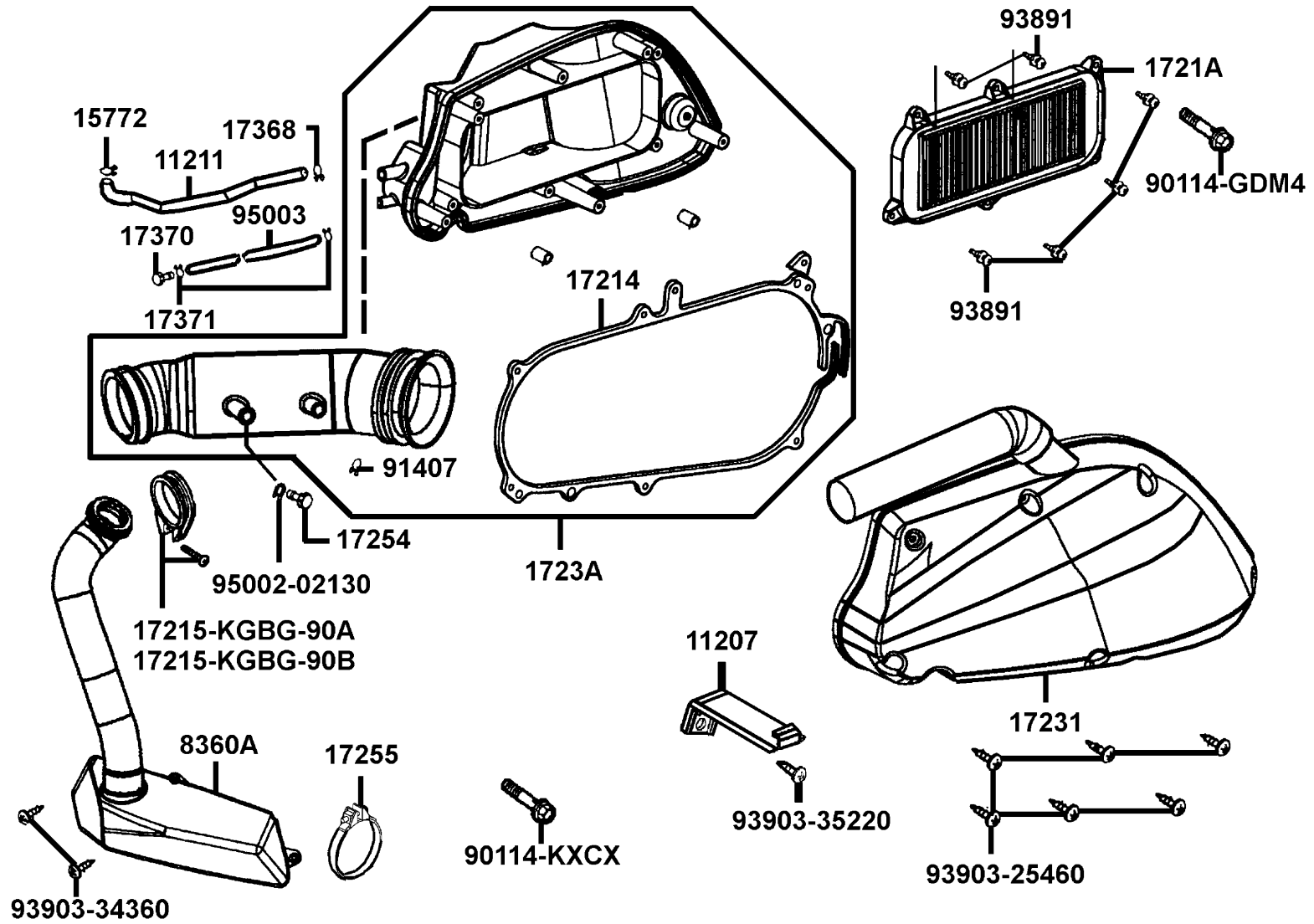
Sales mark	Ref no	Part no	Ver	Description	Reg description	Regd no	F11
	31500-KFAF-90A	31500-KFAF-90A	4	BATTERY YTX9-BS	BATTERY YTX9-BS	1	
	31500-KFAF-90B	31500-KFAF-90B	6	BATTERY YTX9-BS	BATTERY YTX9-BS	1	
	32411	32411-KKC4-800	2	CABLE BATTERY	CABLE BATTERY	1	
	32412	32412-KKC4-800	3	CABLE EARTH	CABLE EARTH	1	
	38500-KHD8-900	38500-KHD8-900	0	RELAY ASSY LIGHT	RELAY ASSY LIGHT	2	
	38500-KHD8-90A	38500-KHD8-90A	0	RELAY ASSY LIGHT	RELAY ASSY LIGHT	2	
	50326	50326-KKC4-800	2	COVER BATTERY	COVER BATTERY	1	
	50328	50328-KKC4-800	2	BAND BATTERY	BAND BATTERY	1	
	5032A	5032A-KKC4-800	2	CASE ASSY BATTERY	CASE ASSY BATTERY	1	
	90112	90112-KNBN-901	1	BOLT FLANGE 6MM	BOLT FLANGE 6MM	1	
	93903	93903-GFY6-900	1	SCREW TAPPING 4*14	SCREW TAPPING 4*14	5	
#	94050	94050-06080	0	NUT FLANGE 6MM	NUT FLANGE 6MM	1	
#	95701	95701-06012-08	0	BOLT FLANGE 6*12	BOLT FLANGE 6*12	1	
	98200-31000	98200-31000	1	BLADE FUSE 10A	BLADE FUSE 10A	1	
	98200-31500	98200-31500	0	BLADE FUSE 15A	BLADE FUSE 15A	1	
	98200-32000	98200-32000	0	BLADE FUSE 20A	BLADE FUSE 20A	1	

Sales mark	Ref no	Part no	Ver	Description	Reg description	Regd no	F12
	33900	33900-KFBF-900	0	LIGHT ASSY LUGGAGE BOX	LIGHT ASSY LUGGAGE BOX	1	
	34909	34909-KFBF-900	0	BULB WEDGE BASE	BULB WEDGE BASE	1	
	35340-KKC4-80A	35340-KKC4-80A	0	STOP SWITCH	STOP SWITCH	1	
	35340-KKC4-80B	35340-KKC4-80B	0	STOP SWITCH	STOP SWITCH	1	
	77235-KKC4-80A	77235-KKC4-80A	0	SEAT CATCH	SEAT CATCH	1	
	77235-KKC4-80B	77235-KKC4-80B	0	SEAT CATCH	SEAT CATCH	1	
	77240	77240-LLJ3-E01	1	CABLE COMP SEAT LOCK	CABLE COMP SEAT LOCK	1	
**	80151	80151-KKC4-900	0	COVER CENTER	COVER CENTER	1	
	81151	81151-KKC4-900	0	PLATE HEAT GUARD	PLATE HEAT GUARD	1	
	81201	81201-KKC4-800	1	POWER BAR RR CARRIER	POWER BAR RR CARRIER	1	
	81202	81202-KKC4-900	0	UNBRELLALIKE CLASP	UNBRELLALIKE CLASP	4	
**	8120A	8120A-KKC4-900	6	CARRIER RR	CARRIER RR	1	
	81252	81252-KKC4-800	2	PLUG LUGGAGE BOX	PLUG LUGGAGE BOX	1	
	81255	81255-KKC4-800	1	BAG LUGGAGE	BAG LUGGAGE	1	
	81257	81257-KKC4-800	1	COVER CABB MAINT	COVER CABB MAINT	1	
**	81260	81260-KKC4-700	3	BOX ASSY LUGGAGE	BOX ASSY LUGGAGE	1	
**	81400	81400-KKC4-900	0	SIDE R GRIP	SIDE R GRIP	1	
**	81500	81500-KKC4-900	0	SIDE L GRIP	SIDE L GRIP	1	
**	83500	83500-KKC4-800	2	COVER R BODY	COVER R BODY	1	
**	83600	83600-KKC4-800	2	COVER L BODY	COVER L BODY	1	

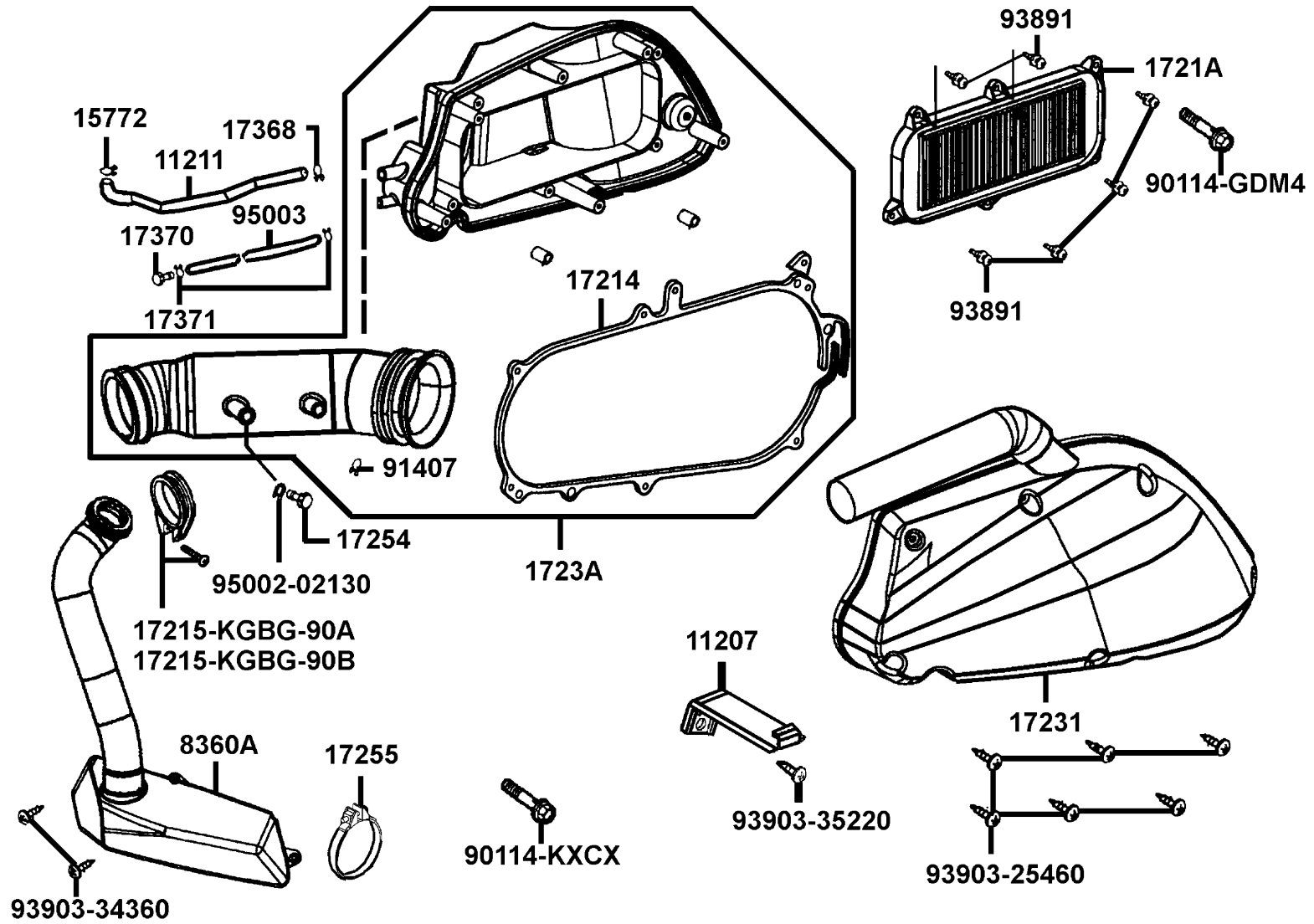
Body Cover Luggage Box



Sales mark	Ref no	Part no	Ver	Description	Reg description	Regd no	F12
**	83750	83750-KKC4-900	1	COVER RR CENTER	COVER RR CENTER	1	
	90105-KEN5	90105-KEN5-001	0	BOLT DISK 6*17	BOLT DISK 6*17	1	
	90105-KNBN	90105-KNBN-901	0	BOLT SPECIAL 8MM	BOLT SPECIAL 8MM	6	
	90106-KFC2	90106-KFC2-900	0	BOLT WASH 8MM	BOLT WASH 8MM	2	
	90106-KKC4	90106-KKC4-900	0	BOLT WASH 8MM	BOLT WASH 8MM	2	
#	90111	90111-1G87-001	1	BOLT FLANGE 6MM	BOLT FLANGE 6MM	2	
	90215	90215-KKC4-900	1	NUT CAP 6MM	NUT CAP 6MM	2	
	90302-GFY6	90302-GFY6-940	1	BOLT-WASH 5*16	BOLT-WASH 5*16	2	
#	90302-SDA4	90302-SDA4-004	1	NUT SPRING 4MM	NUT SPRING 4MM	2	
	90305	90305-GHK8-001	1	NUT CLIP 6MM	NUT CLIP 6MM	1	
	90381	90381-GEZ5-001	1	SCREW SPECIAL 6*17	SCREW SPECIAL 6*17	2	
	93500	93500-04012-0H	0	SCREW 4*12	SCREW 4*12	4	
#	93903-34360	93903-34360	0	SCREW TAPPING 4*12	SCREW TAPPING 4*12	6	
	93903-35360	93903-35360	0	SCREW TAPPING 5*16	SCREW TAPPING 5*16	8	
	93903-GFY6	93903-GFY6-900	1	SCREW TAPPING 4*14	SCREW TAPPING 4*14	2	
#	95701	95701-06012-08	0	BOLT FLANGE 6*12	BOLT FLANGE 6*12	2	



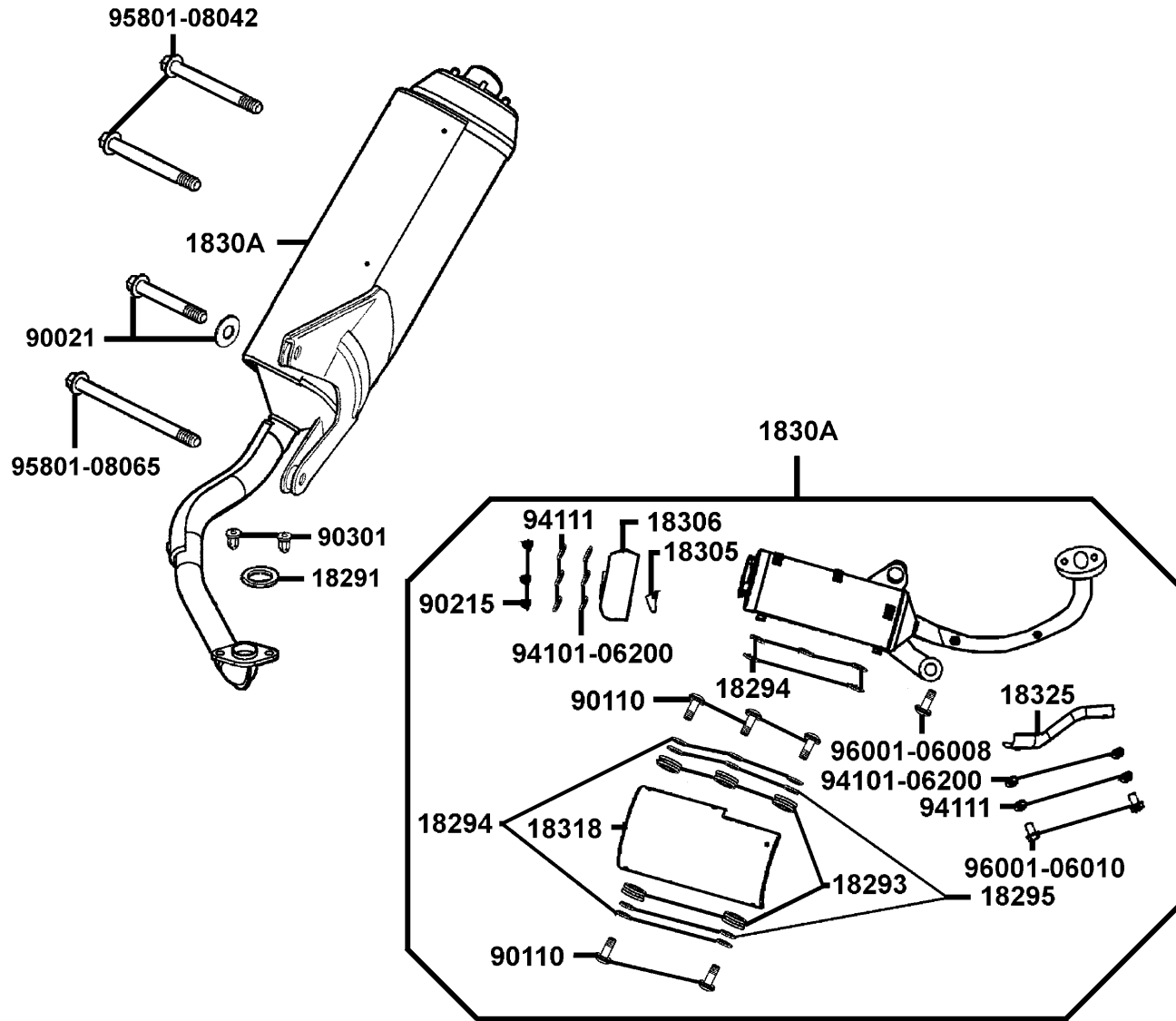
Sales mark	Ref no	Part no	Ver	Description	Reg description	Regd no	F13
	11207	11207-KKC4-900	3	STAY RR FENDER	STAY RR FENDER	1	
	11211	11211-LEA5-E00	2	TUBE MISSION BREATHER	TUBE MISSION BREATHER	1	
	15772	15772-5L00-013	1	CLIP B14.5 TUBE	CLIP B14.5 TUBE	1	
	17214	17214-KKC3-900	0	SEAL AIR/C COVER	SEAL AIR/C COVER	1	
	17215-KGBG-90A	17215-KGBG-90A	2	CLIP ASSY A/C DUCT	CLIP ASSY A/C DUCT	1	
	17215-KGBG-90B	17215-KGBG-90B	0	CLIP ASSY AIR/C DUCT	CLIP ASSY AIR/C DUCT	1	
	1721A	1721A-KKC3-900	1	ELEMENT ASSY AIR/C	ELEMENT ASSY AIR/C	1	
**	17231	17231-KKC3-900	3	COVER COMP AIR/C	COVER COMP AIR/C	1	
	1723A	1723A-KKC2-800	4	CASE ASSY AIR/C	CASE ASSY AIR/C	1	
	17254	17254-KACA-P00	0	JOINT PURGE TUBE	JOINT PURGE TUBE	1	
	17255	17255-KHD8-920	2	BAND AIR/C CONN	BAND AIR/C CONN	1	
	17368	17368-KDB4-670	2	CLIP B 14.5 TUBE	CLIP B 14.5 TUBE	1	
	17370	17370-4K19-701	0	PLUG BREATHER TUBE	PLUG BREATHER TUBE	1	
	17371	17371-1D74-671	0	CLIP BREATHER TUBE	CLIP BREATHER TUBE	2	
	8360A	8360A-KKC4-900	0	CHAMBER ASSY AIR/C	CHAMBER ASSY AIR/C	1	
	90114-GDM4	90114-GDM4-011	1	BOLT FLANGE 6*28	BOLT FLANGE 6*28	1	
	90114-KXCX	90114-KXCX-900	1	BOLT FLANGE SH 5*20	BOLT FLANGE SH 5*20	1	
	91407	91407-SGA7-004	0	CLAMP 17 FUSE HOSE	CLAMP 17 FUSE HOSE	1	
	93891	93891-05016-08	0	SCREW WASHER 5*16	SCREW WASHER 5*16	6	
	93903-25460	93903-25460	0	SCREW TAPPING 4*12	SCREW TAPPING 4*12	6	



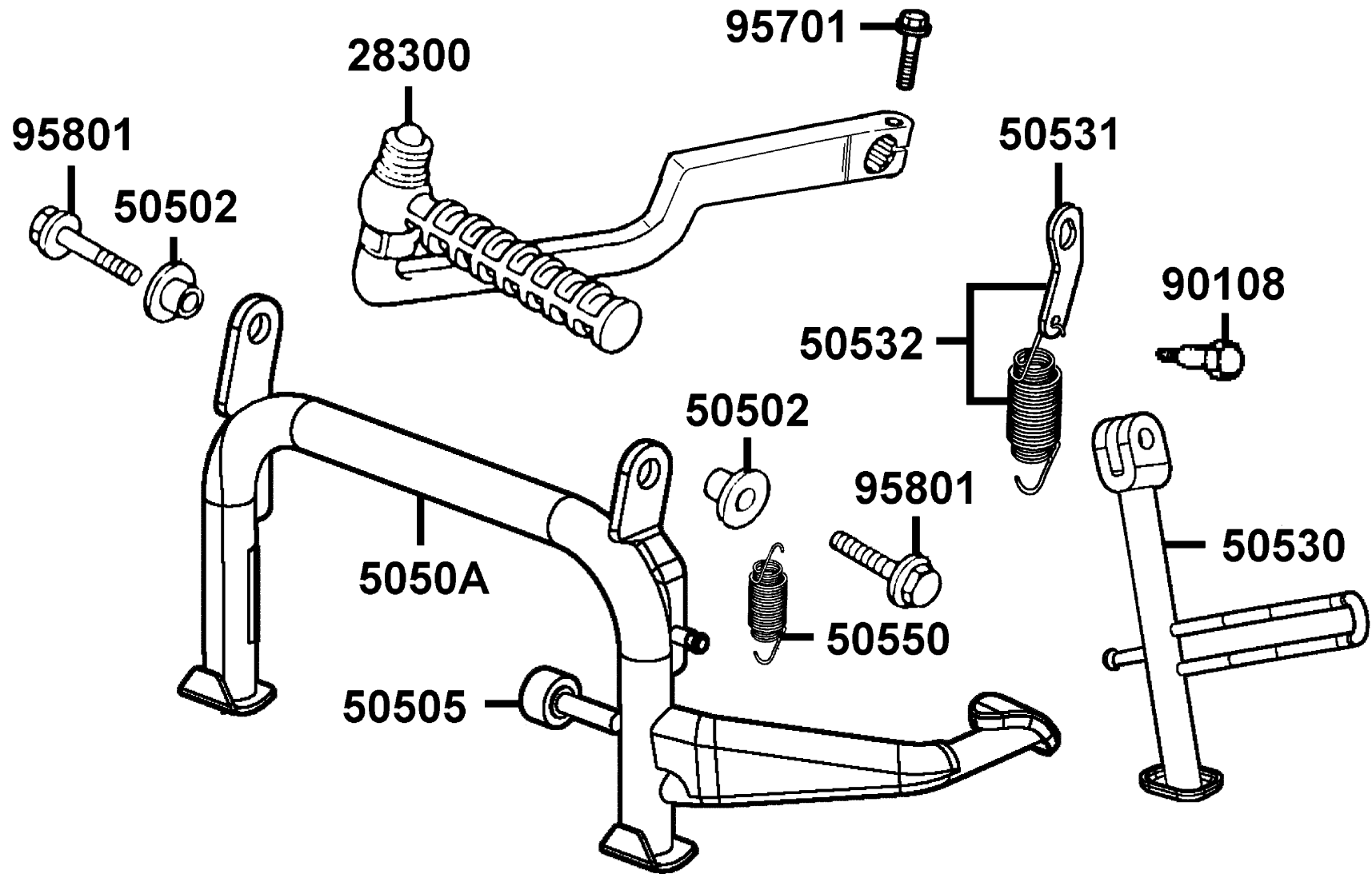
Sales mark	Ref no	Part no	Ver	Description	Reg description	Regd no	F13
#	93903-34360	93903-34360	0	SCREW TAPPING 4*12	SCREW TAPPING 4*12	2	
	93903-35220	93903-35220	0	SCREW TAPPING 5*12	SCREW TAPPING 5*12	1	
	95002	95002-02130	0	CLIP B 12.5 TURE	CLIP B 12.5 TURE	1	
	95003	95003-23031-60	0	V TUBE 8*12*310	V TUBE 8*12*310	1	

F14

Exhaust Muffler



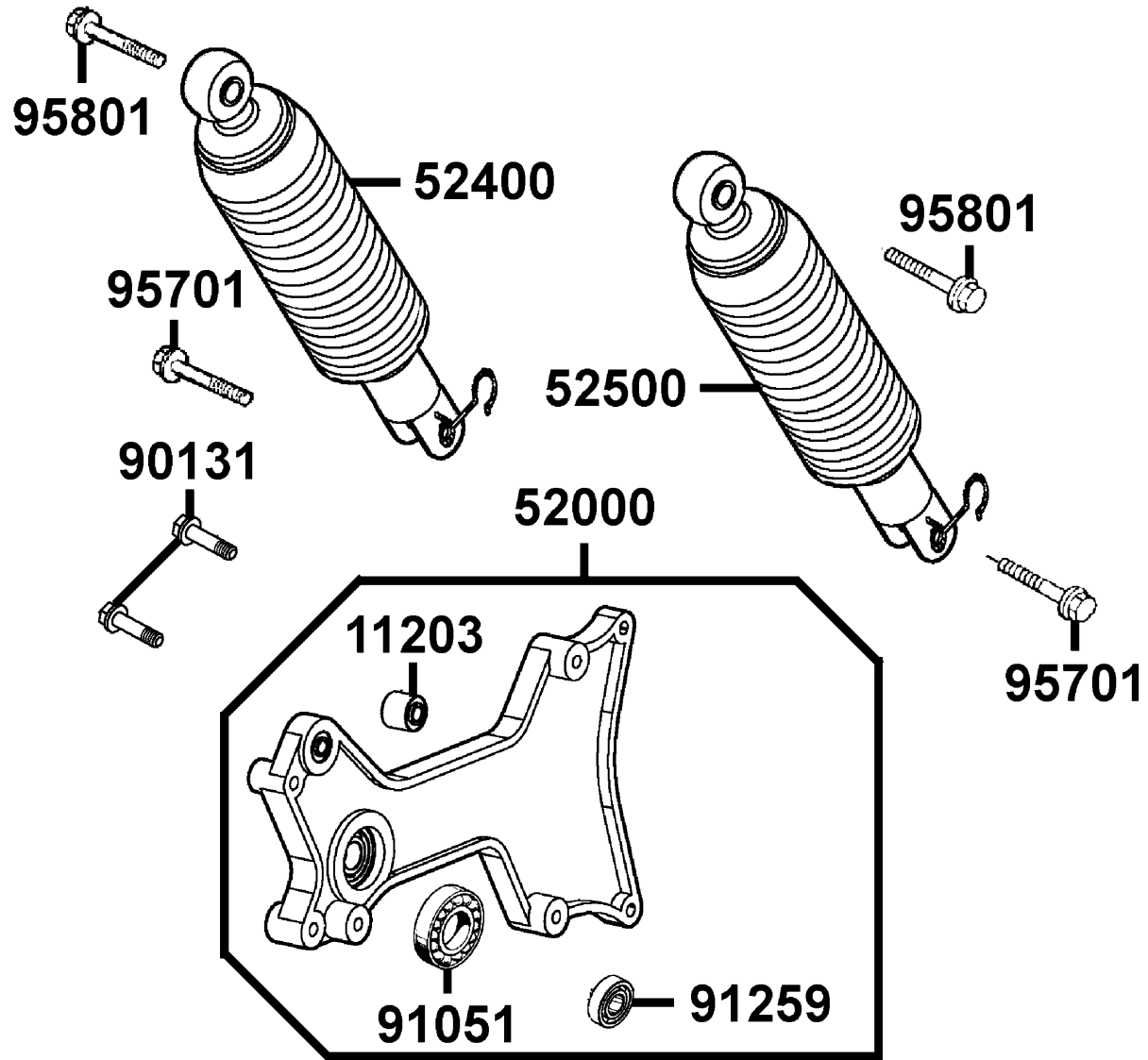
Sales mark	Ref no	Part no	Ver	Description	Reg description	Regd no	F14
	18291	18291-LEA5-E00	1	GASKET EXH PIPE	GASKET EXH PIPE	1	
	18293	18293-KECE-900	0	RUBBER A PROTECTOR	RUBBER A PROTECTOR	5	
	18294	18294-KEBE-900	0	PACKING PROTECTOR	PACKING PROTECTOR	10	
	18295	18295-KECE-900	0	COLLAR 6MM	COLLAR 6MM	5	
**	18305	18305-KHD8-900	0	PROTECTOR TAIL PIPE	PROTECTOR TAIL PIPE	1	
	18306	18306-KHD8-900	1	TAIL CAP MUFFLER	TAIL CAP MUFFLER	1	
	1830A	1830A-KKC1-EYA	1	MUFFLER ASSY	MUFFLER ASSY	1	
	18318	18318-KKC1-E00	0	PROTECTOR MUFFLER	PROTECTOR MUFFLER	1	
	18325	18325-KKC1-900	0	PROTECTOR EXH PIPE	PROTECTOR EXH PIPE	1	
	90021	90021-GFY6-900	2	BOLT WASHER COMP	BOLT WASHER COMP	1	
	90110	90110-KHD8-900	0	SCREW SPECIAL 6*20	SCREW SPECIAL 6*20	5	
	90215	90215-GLM0-910	1	NUT CAP 6MM	NUT CAP 6MM	3	
	90301	90301-GFY6-901	2	NUT (HEX) CAP 8MM	NUT (HEX) CAP 8MM	2	
	94101	94101-06200	0	WASHER PLAIN 6MM	WASHER PLAIN 6MM	5	
	94111	94111-06800	0	WASHER SPG 6MM	WASHER SPG 6MM	5	
	95801-08042	95801-08042-06	0	BOLT FLANGE 8*42	BOLT FLANGE 8*42	2	
	95801-08065	95801-08065-06	0	BOLT FLANGE 8*65	BOLT FLANGE 8*65	1	
	96001-06008	96001-06008-07	0	BOLT FLANGE SH 6*8	BOLT FLANGE SH 6*8	1	
	96001-06010	96001-06010-08	0	BOLT FLANGE SH 6*10	BOLT FLANGE SH 6*10	2	



Sales mark	Ref no	Part no	Ver	Description	Reg description	Regd no	F15
	28300	28300-KKC2-E00	0	ARM ASSY KICK STARTER	ARM ASSY KICK STARTER	1	
	50502	50502-GFY6-901	3	COLLAR MAIN STAND	COLLAR MAIN STAND	2	
	50505	50505-KKD7-900	1	STOPPER RUBBER	STOPPER RUBBER	1	
	5050A	5050A-KKC3-900	7	STAND ASSY MAIN	STAND ASSY MAIN	1	
	50530	50530-KKC4-E00	1	BAR SIDE STAND	BAR SIDE STAND	1	
	50531	50531-KEB7-E00	1	PLATE SPRING STOPPER	PLATE SPRING STOPPER	1	
	50532	50532-KGBG-E00	1	SPRING COMP SIDE STAND	SPRING COMP SIDE STAND	1	
	50550	50550-KEB7-E00	1	SPG ASSY MAIN STAND	SPG ASSY MAIN STAND	1	
	90108	90108-KFC8-E00	0	SCREW SIDE STAND PIVOT	SCREW SIDE STAND PIVOT	1	
	95701	95701-06022-06	1	BOLT FLANGE 6*22	BOLT FLANGE 6*22	1	
	95801	95801-10025-08	0	BOLT FLANGE 10*25	BOLT FLANGE 10*25	2	

F16

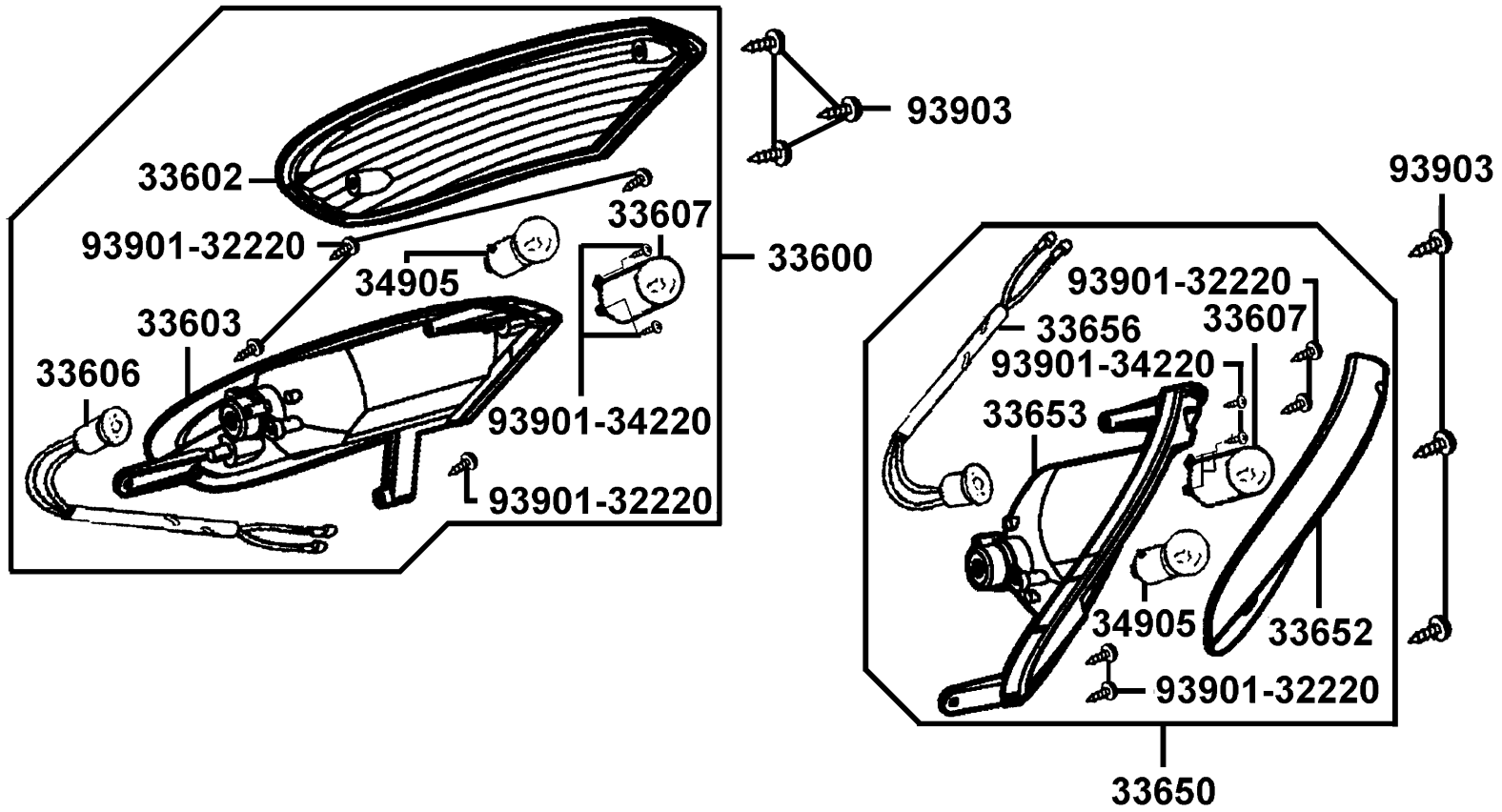
Rear Cushion



Sales mark	Ref no	Part no	Ver	Description	Reg description	Regd no	F16
	11203	11203-GGC7-301	2	UNDER RUBBER BUSH REAR	UNDER RUBBER BUSH REAR	1	
**	52000	52000-KKC3-900	3	FORK ASSY REAR	FORK ASSY REAR	1	
**	52400	52400-KKC2-E00	2	CUSHION ASSY R RR	CUSHION ASSY R RR	1	
**	52500	52500-KKC2-E00	3	CUSHION ASSY L RR	CUSHION ASSY L RR	1	
	90131	90131-KFAF-900	0	BOLT FLANGE 8*42	BOLT FLANGE 8*42	2	
	91051	91051-KFBF-901	1	BRG BALL RAKIAL 6203LLU	BRG BALL RAKIAL 6203LLU	1	
	91259	91259-KFBF-900	0	SEAL OIL	SEAL OIL	2	
	95701	95701-08030-08	0	BOLT FLANGE 8*30	BOLT FLANGE 8*30	2	
	95801	95801-10035-08	0	BOLT FLANGE 10*35	BOLT FLANGE 10*35	2	

F17

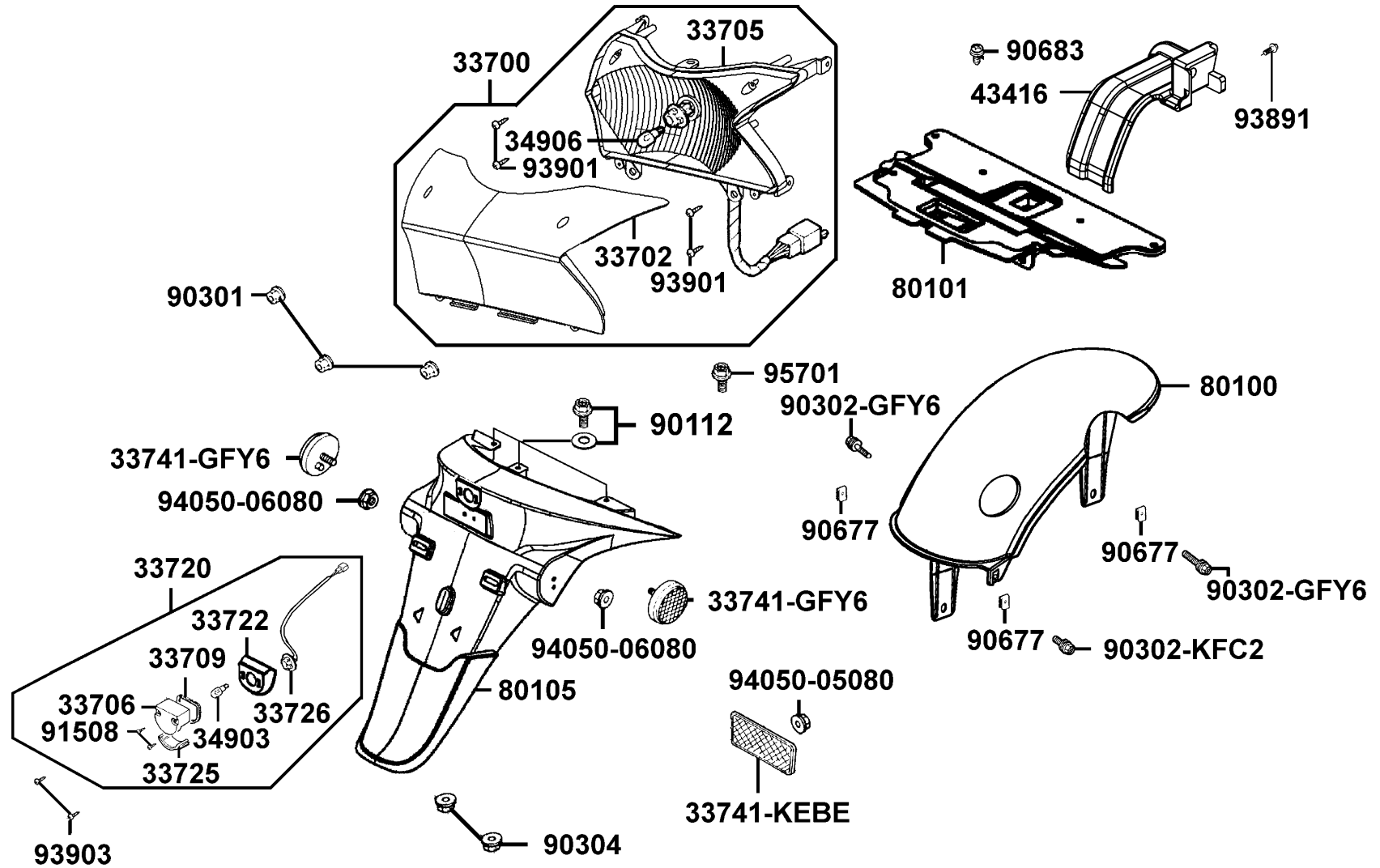
Front Winker



Sales mark	Ref no	Part no	Ver	Description	Reg description	Regd no	F17
	33600	33600-KKC4-E00	2	WINKER ASSY R RR	WINKER ASSY R RR	1	
	33602	33602-KKC4-E00	0	LENS R RR WINKER	LENS R RR WINKER	1	
	33603	33603-KKC4-E00	0	BASE R RR WINKER	BASE R RR WINKER	1	
	33606	33606-KKC4-E00	0	SOCKET COMP R/L RR WINKER	SOCKET COMP R/L RR WINKER	1	
	33607	33607-KKD7-E00	0	INNER LENS WINKER	INNER LENS WINKER	2	
	33650	33650-KKC4-E00	2	WINKER ASSY L RR	WINKER ASSY L RR	1	
	33652	33652-KKC4-E00	0	LENS L RR WINKER	LENS L RR WINKER	1	
	33653	33653-KKC4-E00	0	BASE L RR WINKER	BASE L RR WINKER	1	
	33656	33656-KKC4-E00	0	SOCKET COMP R/L RR WINKER	SOCKET COMP R/L RR WINKER	1	
	34905	34905-KPCP-900	0	BULB WINKER	BULB WINKER	4	
	93901-32220	93901-32220	0	SCREW TAPPING 3*10	SCREW TAPPING 3*10	8	
	93901-34220	93901-34220	0	SCREW TAPPING 4*10	SCREW TAPPING 4*10	4	
#	93903	93903-34360	0	SCREW TAPPING 4*12	SCREW TAPPING 4*12	6	

F18

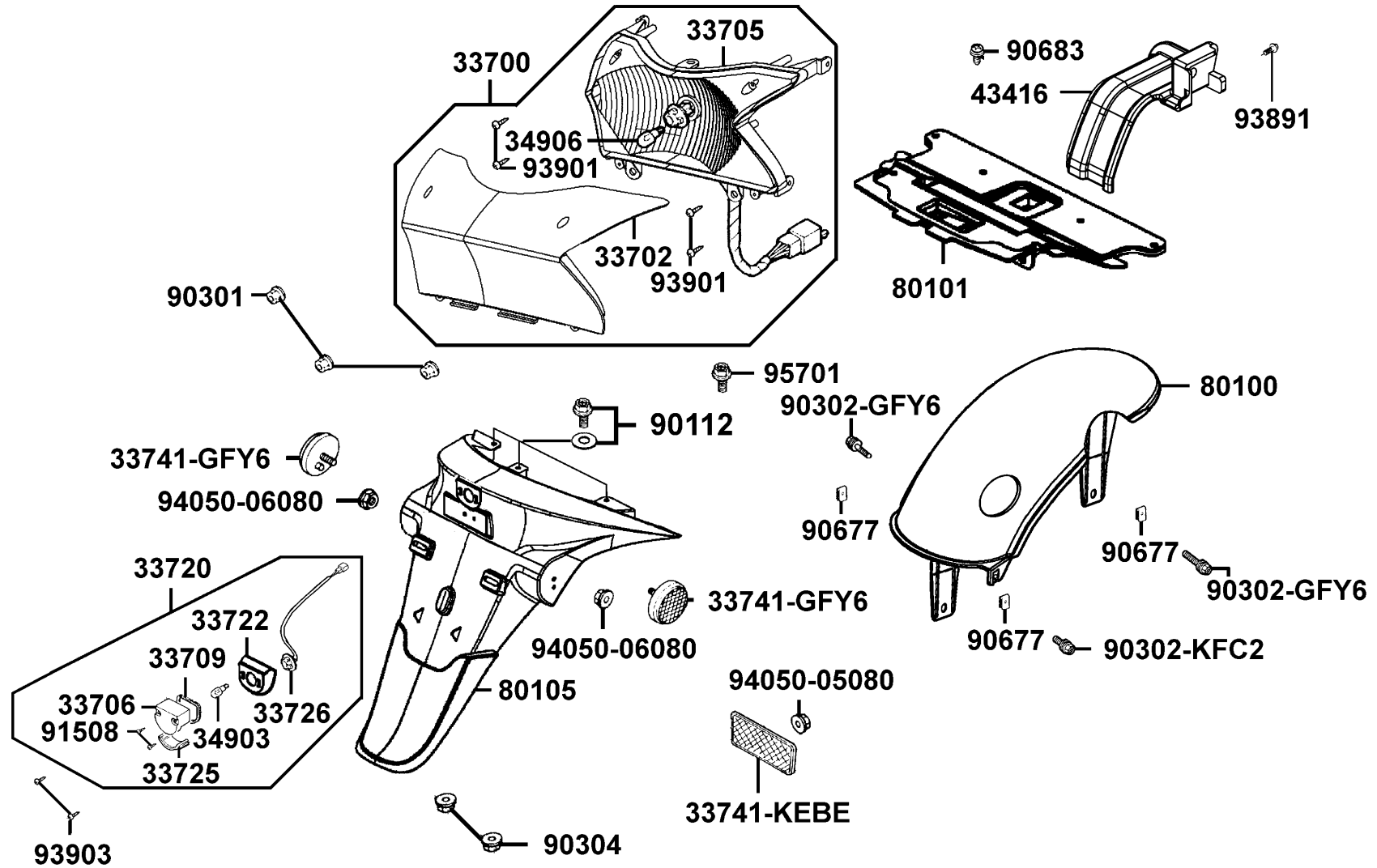
Tail Light



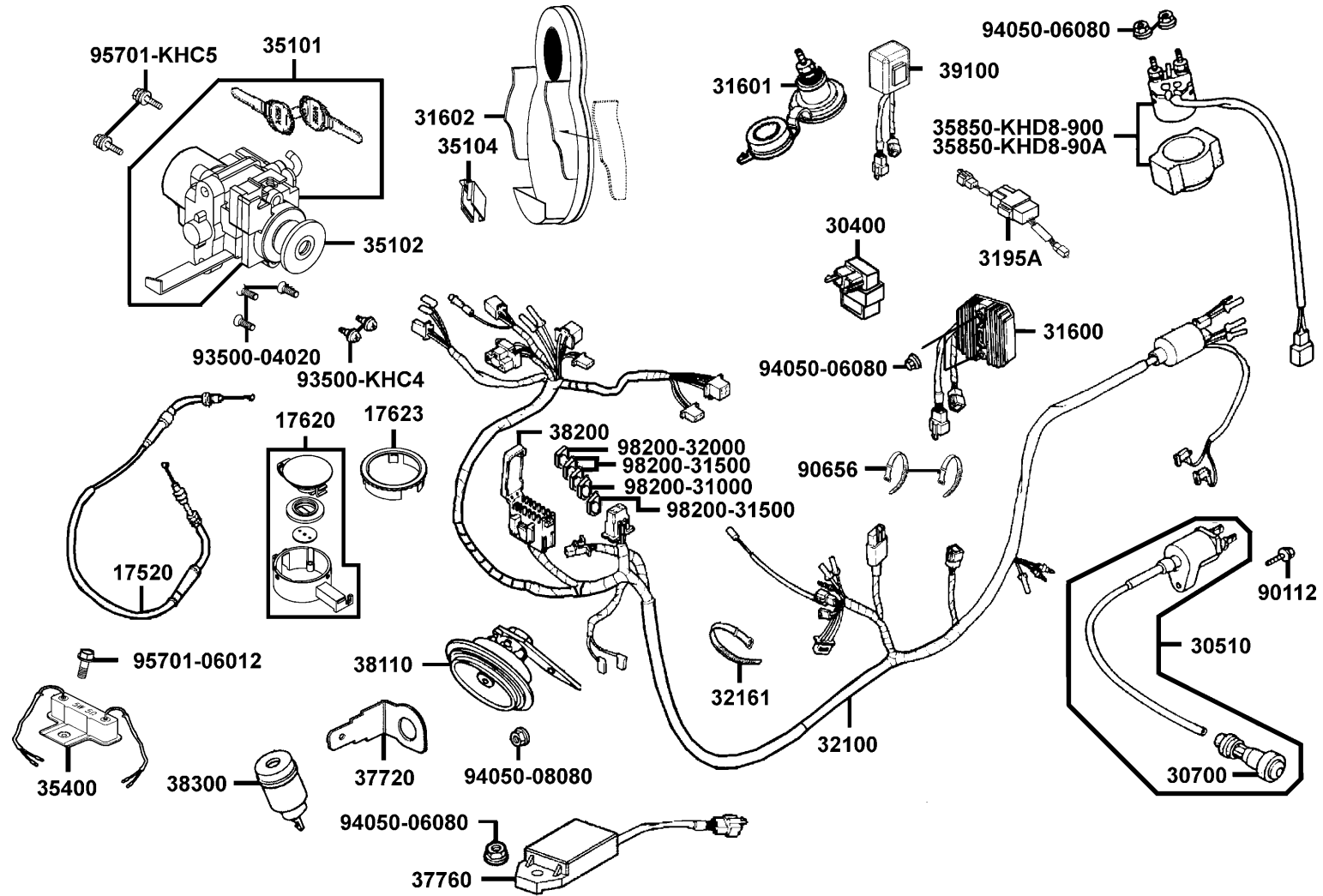
Sales mark	Ref no	Part no	Ver	Description	Reg description	Regd no	F18
	33700	33700-KKC4-E00	1	LIGHT ASSY RR COMB	LIGHT ASSY RR COMB	1	
	33702	33702-KKC4-E00	0	LENS TAIL LIGHT	LENS TAIL LIGHT	1	
	33705	33705-KKC4-E00	0	BASE COMP TAIL LIGHT	BASE COMP TAIL LIGHT	1	
	33706	33706-KHB4-E01	0	COVER LICENSE	COVER LICENSE	1	
	33709	33709-KBAB-003	0	PACKING LICENSE	PACKING LICENSE	1	
#	33720	33720-KHB4-E00	3	LIGHT ASSY LICENSE	LIGHT ASSY LICENSE	1	
	33722	33722-KHB4-E00	0	BASE LICENSE	BASE LICENSE	1	
	33725	33725-KHB4-E00	0	LENS LICENSE	LENS LICENSE	1	
	33726	33726-KHB4-E00	0	SOCKET COMP	SOCKET COMP	1	
	33741-GFY6	33741-GFY6-C30	1	REFLEX REFLECTOR	REFLEX REFLECTOR	2	
	33741-KEBE	33741-KEBE-900	0	REFLEX REFLECTOR	REFLEX REFLECTOR	1	
	34903	34903-KPCP-900	0	BULB POSITION	BULB POSITION	1	
	34906	34906-KPCP-900	0	BULB TAIL & STOP 12V21W/5W	BULB TAIL & STOP 12V21W/5W	1	
	43416	43416-KKC4-900	3	GUARD RR CALIPER	GUARD RR CALIPER	1	
**	80100	80100-KKC4-900	4	FENDER RR TIRE	FENDER RR TIRE	1	
**	80101	80101-KKC4-800	3	FENDER RR INNER	FENDER RR INNER	1	
**	80105	80105-KKC4-E00	0	FENDER RR	FENDER RR	1	
	90112	90112-KNBN-901	1	BOLT FLANGE 6MM	BOLT FLANGE 6MM	3	
	90301	90301-6D34-671	1	NUT FLANGE 6MM	NUT FLANGE 6MM	3	
	90302-GFY6	90302-GFY6-940	1	BOLT-WASH 5*16	BOLT-WASH 5*16	2	

F18

Tail Light



Sales mark	Ref no	Part no	Ver	Description	Reg description	Regd no	F18
	90302-KFC2	90302-KFC2-900	1	BOLT WASHER 5*25	BOLT WASHER 5*25	1	
	90304	90304-4H38-001	2	NUT HEX CAP 6MM	NUT HEX CAP 6MM	2	
	90677	90677-GAR1-004	1	NUT CLIP 5MM	NUT CLIP 5MM	3	
	90683	90683-GAR1-004	4	CLIP BODY COVER	CLIP BODY COVER	1	
	91508	91508-KGV7-67A	0	SCREW TAPPING 4*14	SCREW TAPPING 4*14	2	
	93891	93891-05030-06	0	SCREW WASHER 5*30	SCREW WASHER 5*30	1	
	93901	93901-34320	0	SCREW TAPPING 4*12	SCREW TAPPING 4*12	4	
#	93903	93903-34360	0	SCREW TAPPING 4*12	SCREW TAPPING 4*12	2	
#	94050-05080	94050-05080	0	NUT FLANGE 5MM	NUT FLANGE 5MM	1	
#	94050-06080	94050-06080	0	NUT FLANGE 6MM	NUT FLANGE 6MM	2	
#	95701	95701-06012-08	0	BOLT FLANGE 6*12	BOLT FLANGE 6*12	1	

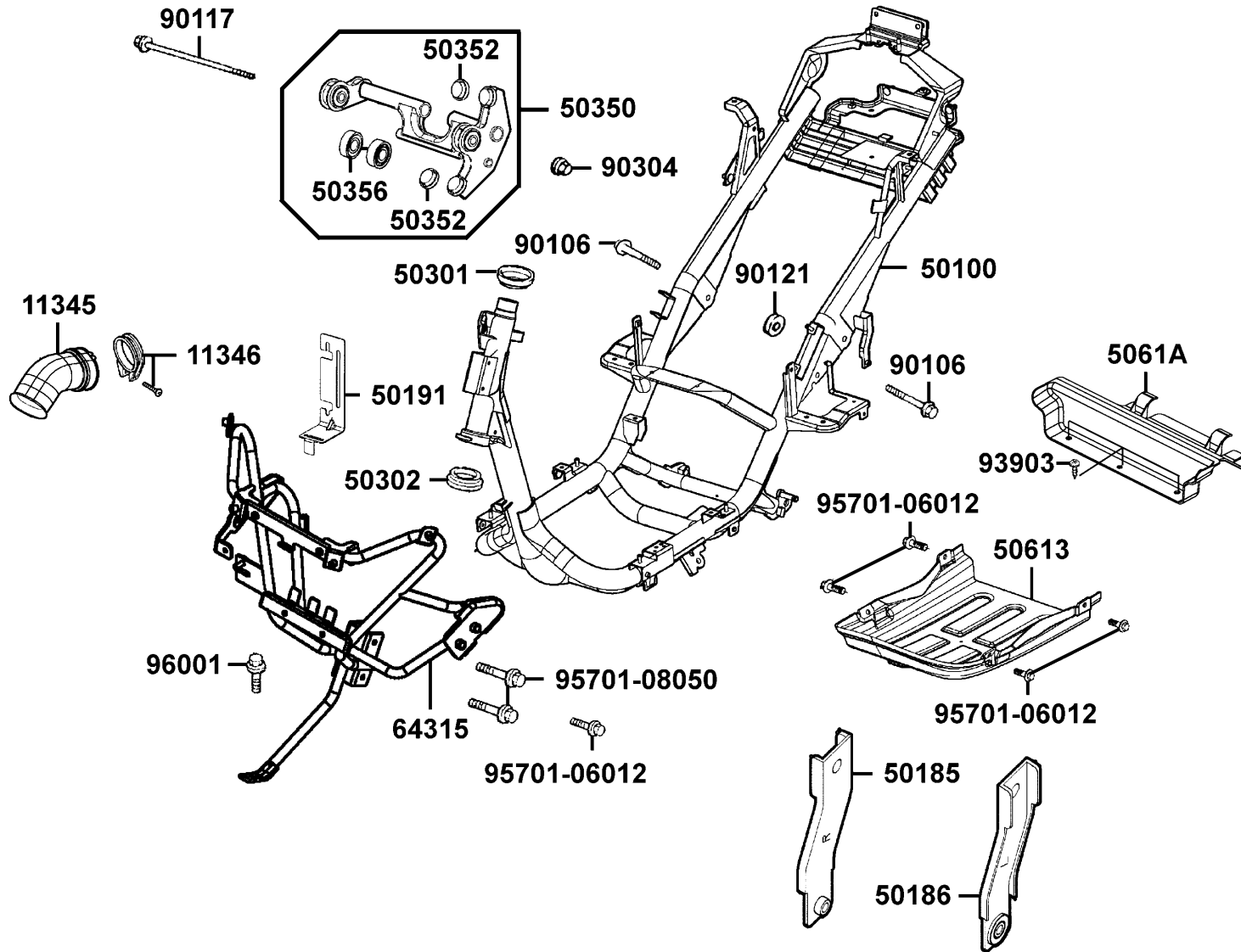


Sales mark	Ref no	Part no	Ver	Description	Reg description	Regd no	F19
	17520	17520-KKC4-900	1	CABLE COMP FUEL CAP	CABLE COMP FUEL CAP	1	
	17620	17620-KHC5-E00	0	CAP COMP FUEL FILLER	CAP COMP FUEL FILLER	1	
	17623	17623-KHC4-90A	6	COLLAR FUEL CAP	COLLAR FUEL CAP	1	
	30400	30400-LFD9-E01	0	UNIT ASSY CDI	UNIT ASSY CDI	1	
	30510	30510-KEBE-900	6	COIL COMP IGN	COIL COMP IGN	1	
	30700	30700-KGN7-671	2	CAP ASSY NOISE SUPPRESSOR	CAP ASSY NOISE SUPPRESSOR	1	
	31600	31600-KAM1-009	1	REG REC COMP	REG REC COMP	1	
	31601	31601-KKC4-900	4	SOCKET COMP DC12V	SOCKET COMP DC12V	1	
	31602	31602-KKC4-900	0	SOCKET COMP CELL-PHONE	SOCKET COMP CELL-PHONE	1	
	3195A	3195A-KBCB-900	0	HAZARD CNTR ASSY	HAZARD CNTR ASSY	1	
	32100	32100-LFD9-E61	0	HARNESS WIRE	HARNESS WIRE	1	
	32161	32161-LBA7-900	0	BAND WIRE	BAND WIRE	1	
	35101	35101-KKC2-325	0	SW SET COMB & LOCK	SW SET COMB & LOCK	1	
	35102	35102-KHC4-900	2	COLLAR MAIN SW	COLLAR MAIN SW	1	
	35104	35104-KHC4-90A	0	PLATE COVER FUEL CAP CABLE	PLATE COVER FUEL CAP CABLE	1	
	35400	35400-KHE7-900	1	RESISTOR COMP	RESISTOR COMP	1	
	35850-KHD8-900	35850-KHD8-900	1	SET START MAG	SET START MAG	1	
	35850-KHD8-90A	35850-KHD8-90A	0	SET START MAG	SET START MAG	1	
	37720	37720-KGBG-E00	0	EARTH TERMINAL HEATER	EARTH TERMINAL HEATER	1	
	37760	37760-KGBG-E10	1	UNIT HEATER CONTROL	UNIT HEATER CONTROL	1	

Sales mark	Ref no	Part no	Ver	Description	Reg description	Regd no	F19
	38110	38110-LEA5-E00	1	HORN COMP	HORN COMP	1	
	38200	38200-KHE7-900	0	BOX COMP FUSE	BOX COMP FUSE	1	
	38300	38300-KECE-900	2	RELAY ASSY WINKER	RELAY ASSY WINKER	1	
	39100	39100-KHD8-900	0	EMI FILTER MOTOR	EMI FILTER MOTOR	0	
	90112	90112-KRDR-900	0	BOLT FLANGE 5*22	BOLT FLANGE 5*22	1	
# **	90656	90656-KUDU-900	0	BAND HARNESS WIRE	BAND HARNESS WIRE	2	
	93500-04020	93500-04020-0G	0	SCREW PAN 4*20	SCREW PAN 4*20	3	
	93500-KHC4	93500-KHC4-90A	0	SCREW PAN 5*10	SCREW PAN 5*10	2	
#	94050-06080	94050-06080	0	NUT FLANGE 6MM	NUT FLANGE 6MM	5	
	94050-08080	94050-08080	0	NUT FLANGE 8MM	NUT FLANGE 8MM	1	
#	95701-06012	95701-06012-08	0	BOLT FLANGE 6*12	BOLT FLANGE 6*12	1	
	95701-KHC5	95701-KHC5-E00	3	BOLT TORQUE 8*20	BOLT TORQUE 8*20	2	
	98200-31000	98200-31000	1	BLADE FUSE 10A	BLADE FUSE 10A	1	
	98200-31500	98200-31500	0	BLADE FUSE 15A	BLADE FUSE 15A	3	
	98200-32000	98200-32000	0	BLADE FUSE 20A	BLADE FUSE 20A	1	

F20

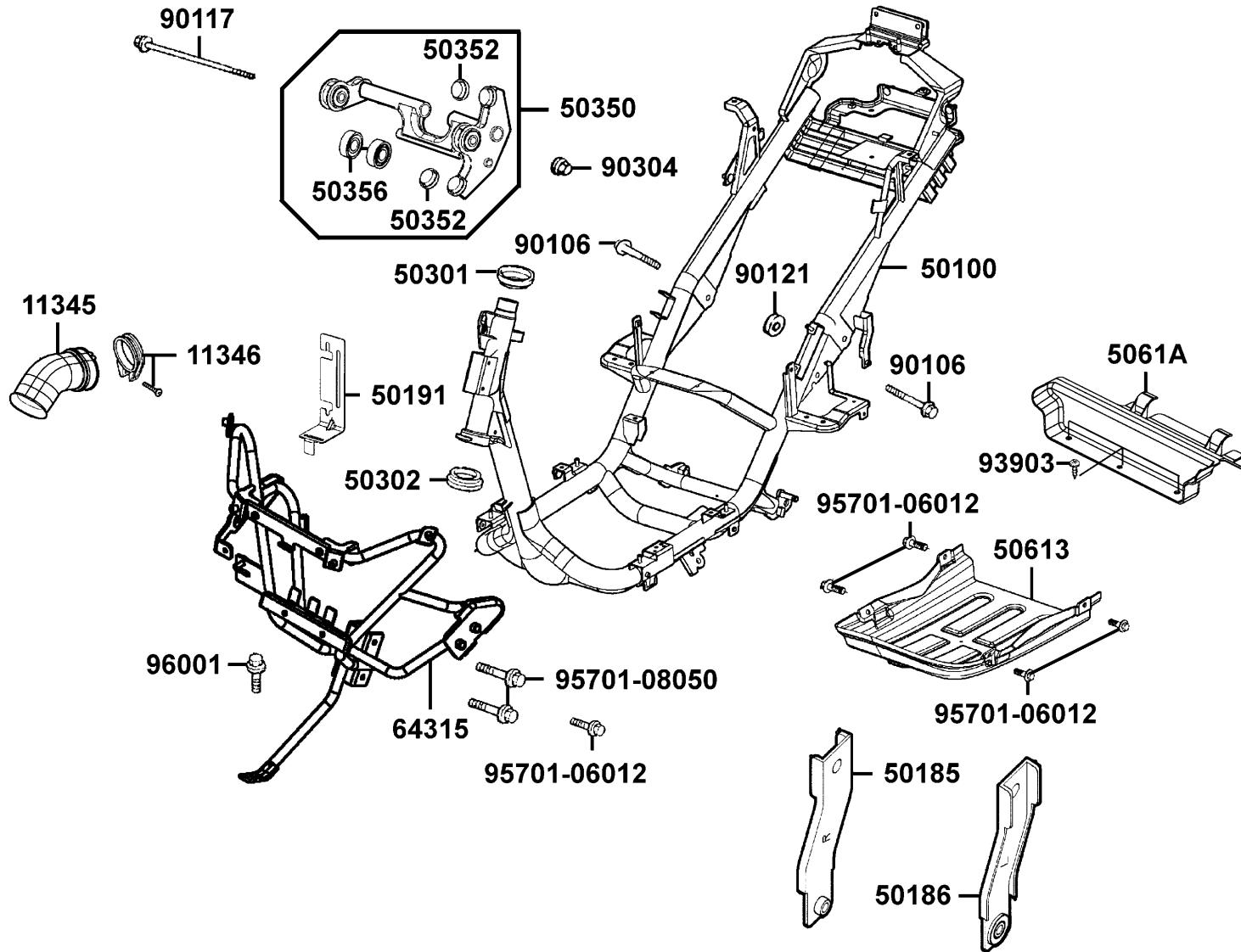
Frame Body



Sales mark	Ref no	Part no	Ver	Description	Reg description	Regd no	F20
	11345	11345-KKC2-E00	0	DUCT L COVER	DUCT L COVER	1	
	11346	11346-KKC3-900	0	BAND L COVER DUCT	BAND L COVER DUCT	1	
	50100	50100-LFD9-E01	0	BODY COMP FRAME	BODY COMP FRAME	1	
	50185	50185-KKC4-900	0	STAY R BODY COVER	STAY R BODY COVER	1	
	50186	50186-KKC4-900	0	STAY L BODY COVER	STAY L BODY COVER	1	
	50191	50191-KKC4-900	0	STAY ALARM SYSTEM	STAY ALARM SYSTEM	1	
	50301	50301-KGN7-671	2	RACE UP STRG BALL	RACE UP STRG BALL	1	
	50302	50302-2H68-011	2	RACE STRG BOT BALL	RACE STRG BOT BALL	1	
	50350	50350-LEA5-E00	4	ENG HANGER COMP	ENG HANGER COMP	1	
	50352	50352-GFY6-901	0	RUBBER STOPPER	RUBBER STOPPER	2	
	50356	50356-KHE7-E00	0	BUSH SWING LOCK	BUSH SWING LOCK	2	
**	50613	50613-KKC4-900	1	COVER UNDER	COVER UNDER	1	
	5061A	5061A-KKC3-900	1	DEFLECTION UNDER	DEFLECTION UNDER	1	
	64315	64315-LFD9-E00	1	STAY FR COVER	STAY FR COVER	1	
	90106	90106-KHE7-E00	0	BOLT FLANGE 12*59	BOLT FLANGE 12*59	2	
	90117	90117-KED9-900	1	BOLT FLANGE 10*265	BOLT FLANGE 10*265	1	
	90121	90121-KHE7-E00	0	COLLAR DISTANCE	COLLAR DISTANCE	1	
#	90304	90304-GHE8-004	0	NUT U 10MM	NUT U 10MM	1	
#	93903	93903-34360	0	SCREW TAPPING 4*12	SCREW TAPPING 4*12	3	
#	95701-06012	95701-06012-08	0	BOLT FLANGE 6*12	BOLT FLANGE 6*12	5	

F20

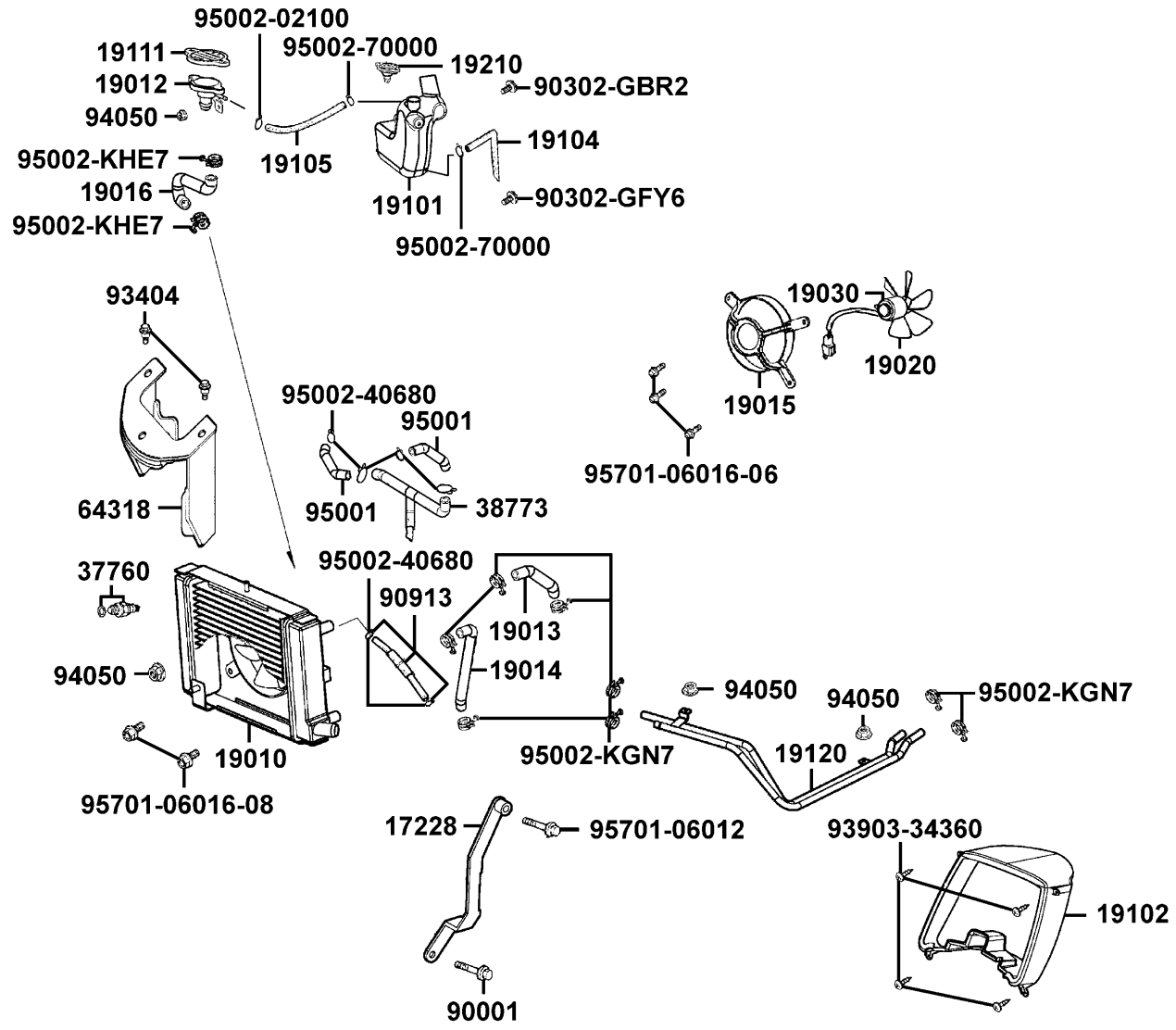
Frame Body



Sales mark	Ref no	Part no	Ver	Description	Reg description	Regd no	F20
	95701-08050	95701-08050-08	0	BOLT FLANGE 8*50	BOLT FLANGE 8*50	2	
	96001	96001-06020-08	0	BOLT FLANGE SH 6*20	BOLT FLANGE SH 6*20	1	

F21

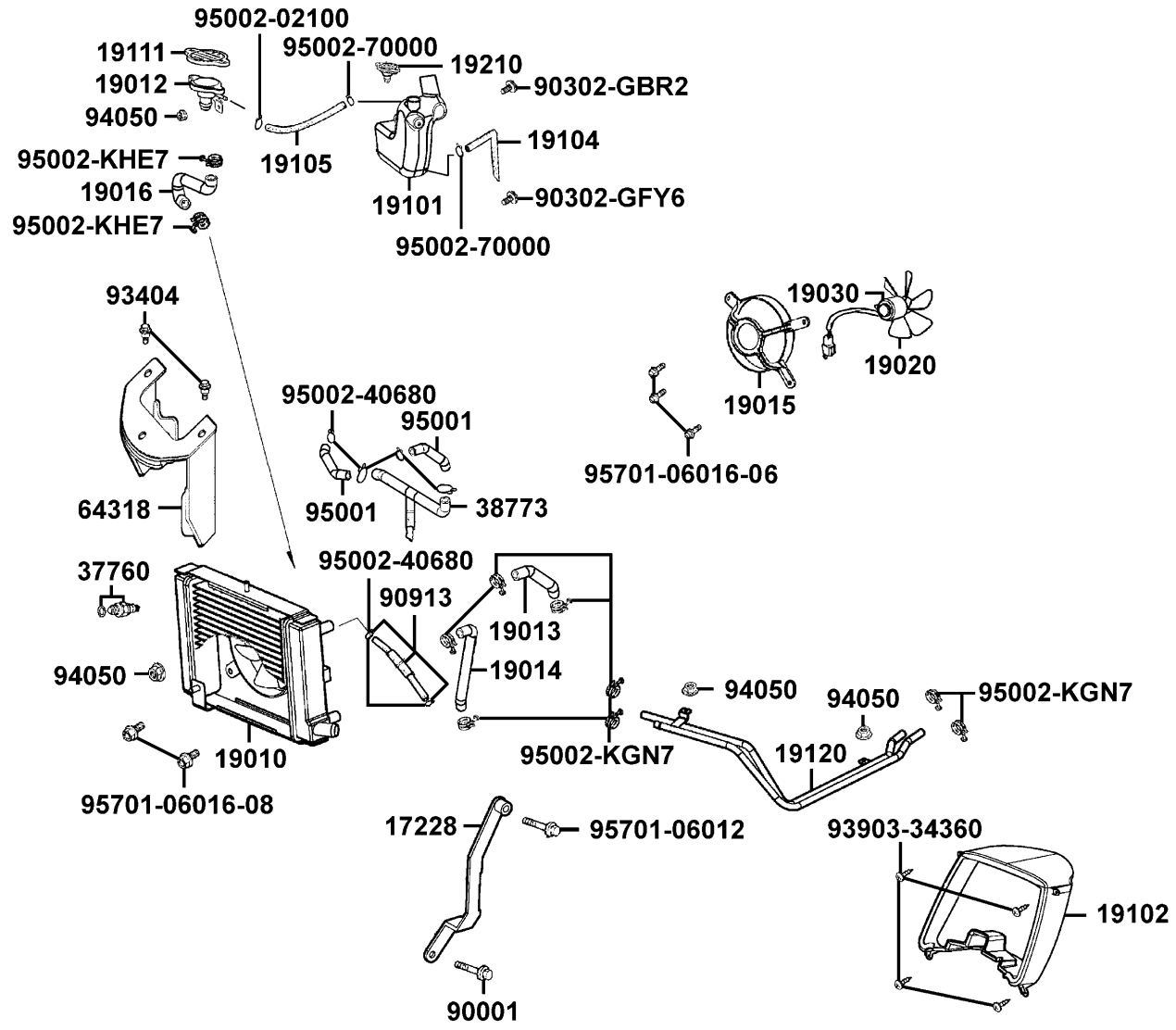
Radiator



Sales mark	Ref no	Part no	Ver	Description	Reg description	Regd no	F21
	17228	17228-KKC3-900	2	STAY A/C	STAY A/C	1	
	19010	19010-LFD9-E00	2	RADIATOR COMP	RADIATOR COMP	1	
	19012	19012-KHD8-900	4	UNIT RADIATOR	UNIT RADIATOR	1	
	19013	19013-LFD9-E00	1	HOSE WATER INLET	HOSE WATER INLET	1	
	19014	19014-LFD9-E00	1	HOSE WATER OUT	HOSE WATER OUT	1	
	19015	19015-LEA5-E00	1	SHROUD COMP	SHROUD COMP	1	
	19016	19016-LFD9-E00	1	HOSE WATER –UNIT CAP	HOSE WATER –UNIT CAP	1	
	19020	19020-KED9-900	1	FAN COOLING	FAN COOLING	1	
	19030	19030-KHD8-900	2	MOTOR ASSY FAN	MOTOR ASSY FAN	1	
	19101	19101-KKC4-900	0	TANK RESERVE	TANK RESERVE	1	
**	19102	19102-LFD9-E00	2	DUCT COOLING AIR	DUCT COOLING AIR	1	
	19104	19104-KKC4-900	0	HOSE ASSY DRAIN	HOSE ASSY DRAIN	1	
	19105	19105-KKC4-900	0	HOSE ASSY RESERVE-COOLER	HOSE ASSY RESERVE-COOLER	1	
	19111	19111-GBE2-004	1	CAP COMP	CAP COMP	1	
	19120	19120-KKC4-900	4	PIPE COMP WATER	PIPE COMP WATER	1	
	19210	19210-KKC4-900	0	CAP RESERVE TANK	CAP RESERVE TANK	1	
#	37760	37760-KHD8-900	0	SW ASSY THERMO	SW ASSY THERMO	1	
	38773	38773-PKB9-001	0	JOINT 3 WAY 3.5	JOINT 3 WAY 3.5	1	
	64318	64318-KKC4-900	0	STAY METER	STAY METER	1	
	90001	90001-GBHB-661	0	BOLT FLANGE SH 6*22	BOLT FLANGE SH 6*22	1	

F21

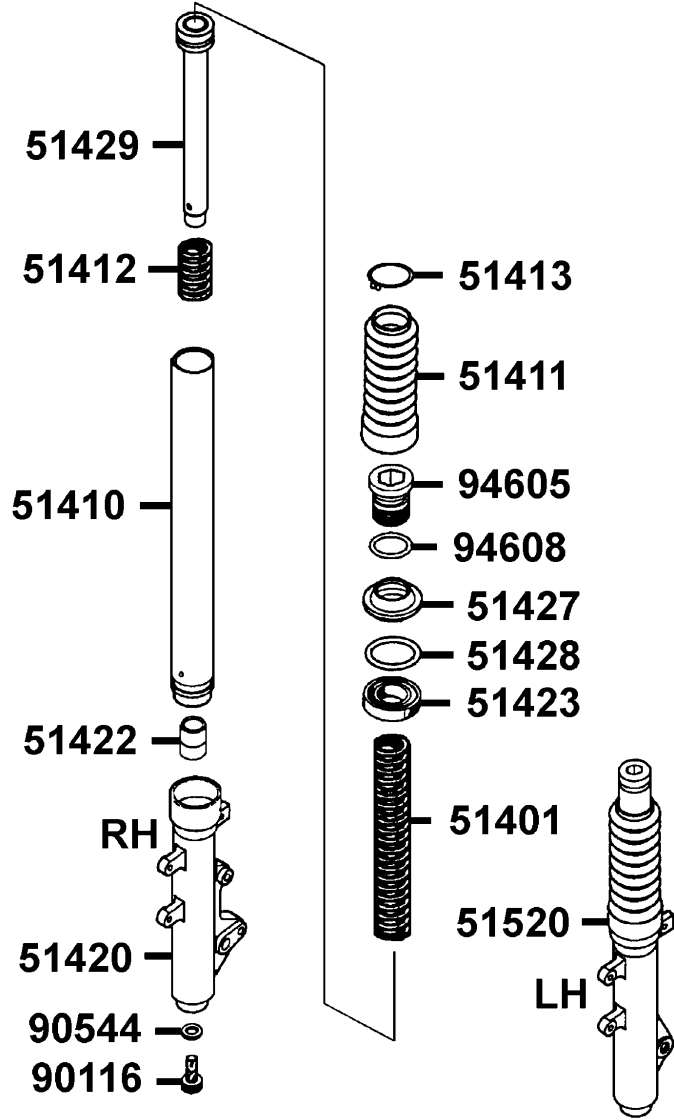
Radiator



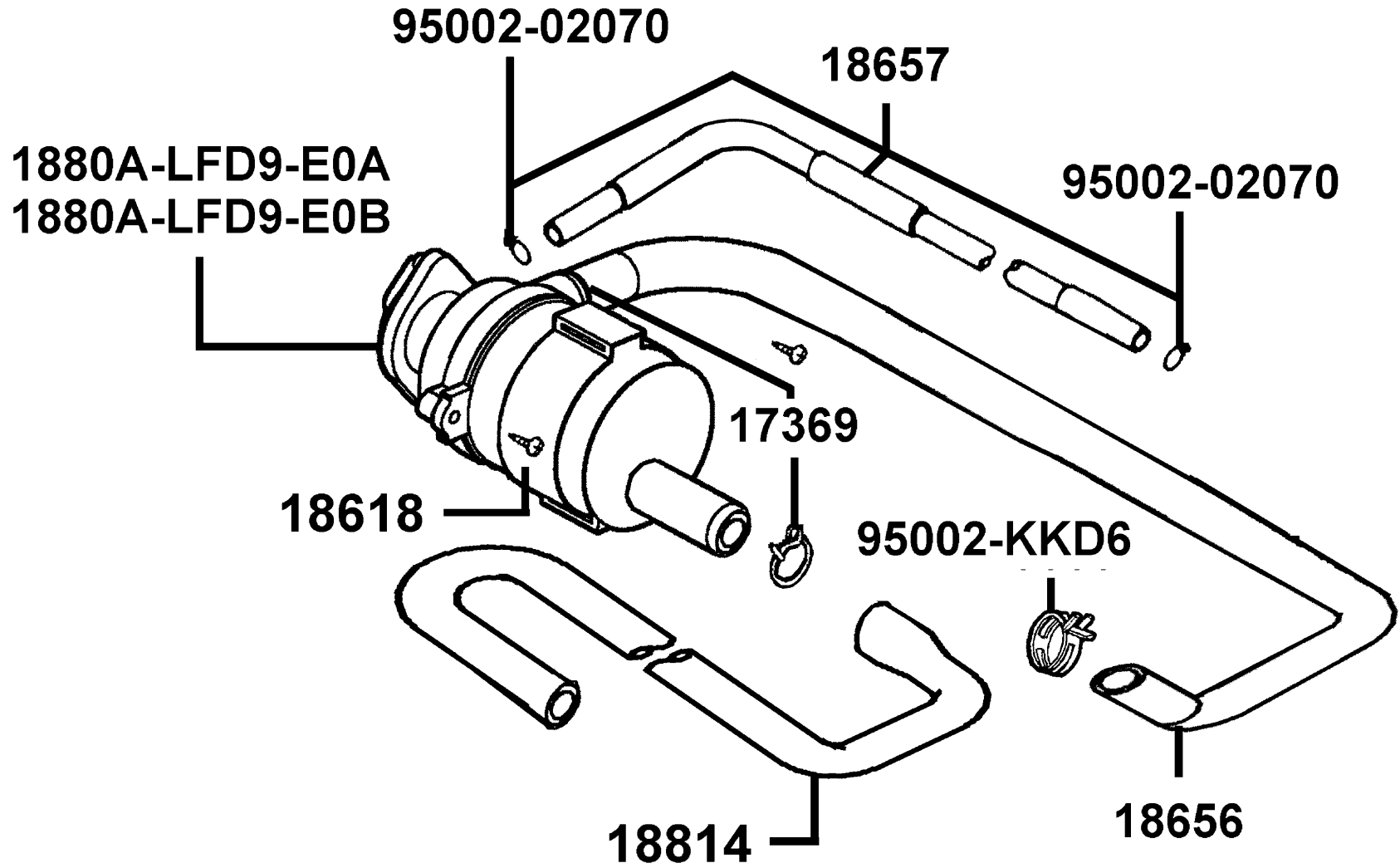
Sales mark	Ref no	Part no	Ver	Description	Reg description	Regd no	F21
	90302-GBR2	90302-GBR2-001	1	BOLT WASH 5*16	BOLT WASH 5*16	1	
	90302-GFY6	90302-GFY6-901	1	BOLT WASH 5*12	BOLT WASH 5*12	1	
	90913	90913-KKC4-900	0	TUBE ASSY WATER PUMP TO RAD	TUBE ASSY WATER PUMP TO	1	
#	93404	93404-06016-06	0	BOLT WASHER 6*16	BOLT WASHER 6*16	2	
#	93903	93903-34360	0	SCREW TAPPING 4*12	SCREW TAPPING 4*12	4	
#	94050	94050-06080	0	NUT FLANGE 6MM	NUT FLANGE 6MM	4	
	95001	95001-35225-40	0	TUBE FUEL 3.5*225	TUBE FUEL 3.5*225	2	
	95002-02100	95002-02100	0	CLIP B15 TUBE	CLIP B15 TUBE	1	
	95002-40680	95002-40680-08	0	CLIP B8-TUBE	CLIP B8-TUBE	6	
	95002-70000	95002-70000	0	CLIP C11 TUBE	CLIP C11 TUBE	2	
	95002-KGN7	95002-KGN7-910	1	CLIP TUBE	CLIP TUBE	8	
	95002-KHE7	95002-KHE7-900	0	CLIP WATER HOSE	CLIP WATER HOSE	2	
#	95701-06012	95701-06012-08	0	BOLT FLANGE 6*12	BOLT FLANGE 6*12	1	
	95701-06016-06	95701-06016-06	0	BOLT FLANGE 6*16	BOLT FLANGE 6*16	3	
	95701-06016-08	95701-06016-08	0	BOLT FLANGE 6*16	BOLT FLANGE 6*16	2	

F22

Separated Parts Of Fr Fork



Sales mark	Ref no	Part no	Ver	Description	Reg description	Regd no	F22
	51401	51401-KHD8-900	0	SPRING	SPRING	2	
	51410	51410-KHD8-900	0	FORK PIPE COMP	FORK PIPE COMP	2	
**	51411	51411-KHD8-900	0	BOOT	BOOT	2	
	51412	51412-KHD8-900	0	REBOUND SPRING	REBOUND SPRING	2	
	51413	51413-KHD8-900	0	BOOT BAND	BOOT BAND	2	
**	51420	51420-KKC4-900	0	BOTTOM CASE R	BOTTOM CASE R	1	
	51422	51422-KKC4-900	0	OIL LOCK PIECE	OIL LOCK PIECE	2	
	51423	51423-KKAK-900	0	OIL SEAL	OIL SEAL	2	
	51427	51427-KKAK-900	0	DUST SEAL	DUST SEAL	2	
	51428	51428-KKAK-900	0	OIL SEAL STOPPER RING	OIL SEAL STOPPER RING	2	
	51429	51429-KHD8-900	0	PIPE SEAT COMP	PIPE SEAT COMP	2	
**	51520	51520-KKC4-900	0	BOTTOM CASE L	BOTTOM CASE L	1	
	90116	90116-KHD8-900	0	BOLT	BOLT	2	
	90544	90544-KEC8-900	0	PACKING	PACKING	2	
	94605	94605-KHD8-900	0	FORK BOLT	FORK BOLT	2	
	94608	94608-30000	0	O-RING	O-RING	2	



Sales mark	Ref no	Part no	Ver	Description	Reg description	Regd no	F23
	17369	17369-KDB4-671	1	CLIP BREATHER TUBE	CLIP BREATHER TUBE	1	
	18618	18618-KHD6-900	0	RUBBER AI CLEANER MOUNT	RUBBER AI CLEANER MOUNT	1	
	18656	18656-LFD9-E00	1	DUCT AICV-REED VALVE	DUCT AICV-REED VALVE	1	
	18657	18657-LCD3-E00	1	TUBE ASSY AICV-INLET PIPE	TUBE ASSY AICV-INLET PIPE	1	
	1880A-LFD9-E0A	1880A-LFD9-E0A	1	AI/C AICV ASSY	AI/C AICV ASSY	1	
	1880A-LFD9-E0B	1880A-LFD9-E0B	1	AI/C AICV ASSY	AI/C AICV ASSY	1	
	18814	18814-LFD9-E00	1	DUCT AIR/AICV	DUCT AIR/AICV	1	
	95002-02070	95002-02070	0	CLIP B7 TUBE	CLIP B7 TUBE	2	
	95002-KKD6	95002-KKD6-E05	0	CLAMP D18 TUBE	CLAMP D18 TUBE	1	

● Be sure to wear a safety helmet when riding.
 ● Do not exceed the speed specified by law when riding.
 ● The exhaust muffler temperature is very high after riding. Be sure to park the motorcycle in a place not easily touched by people.
 ● For riding safety and good performance, do not violate the law to modify the motorcycle.
 ● Please read the Owner's Manual carefully to ensure riding safety.

● Make sure to perform the periodic maintenance and provide inspection.

Provide inspection items

Brake Performance, tires, engine oil level, lights, horn, and instrument panel

KWANG YANG MOTOR CO., LTD.

87560

CAUTIONS

Tire Size	:Front 120/70-12	Rear 140/70-12
(One Rider)	:Front 1.75kgf/cm ²	Rear 2.25kgf/cm ²
(Two Rider)	:Front 2.00kgf/cm ²	Rear 2.50kgf/cm ²

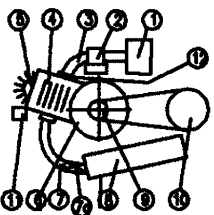
Load Capacity: Shield 1.5kg Clip away center 3kg
 (As per KYMCO standard specification)
 (Note: The tire pressure must not overpass 2.00kgf/cm²)

● Check the motor oil level with the dipstick after refilling motor oil.

K12-000

87505

TRADE NAME: KYMCO
 VEHICLE CATEGORY: B



1. KYMCO KKC3
2. LFD9-E00/ED1
3. KYMCO KKC1
4. KY LEAS
5. KYMCO LEAS
6. KYMCO KKC3
7. -----
- 7a. -----
8. KYMCO KKC1 III
9. KYMCO KKC3 #126
10. KYMCO LEAS #146
11. 30410-LFD9-ED1
12. -----

87224

CAUTION

Mobile phone charge only, Use other appliance may cause damage.

KKC2-E000

87541-KKC2

CAUTIONS

Every 5000 km run should exchange the filter.

K12-000

87512

CAUTIONS

Never put any article between the rear side cover and the engine to avoid interference of riding.

G19-300

87542

CAUTIONS

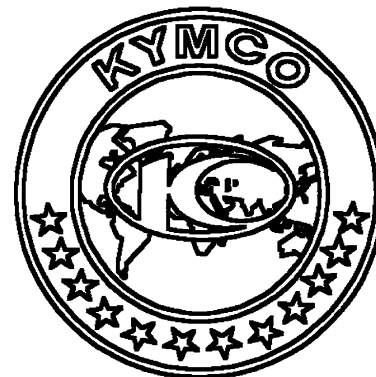
Before starting the engine, the side stand shall be kicked up to secure safety.

87541-GAR1

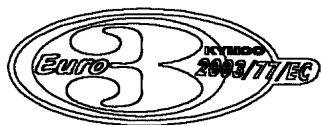
Sales mark	Ref no	Part no	Ver	Description	Reg description	Regd no	F24
**	87224	87224-LFD9-EY1	0	CAUTION ANTI TAMPERING	CAUTION ANTI TAMPERING	1	
**	87505	87505-KHE7-E00	1	LABEL TIRE	LABEL TIRE	1	
**	87512	87512-KEBE-E00	0	CAUTION FILTER	CAUTION FILTER	1	
**	87541-GAR1	87541-GAR1-E00	1	CAUTION SIDE STAND	CAUTION SIDE STAND	1	
**	87541-KKC2	87541-KKC2-E00	1	CAUTION MOBILE PHONE	CAUTION MOBILE PHONE	1	
**	87542	87542-GAR1-E00	2	MARK MAINT CAUTION	MARK MAINT CAUTION	1	
**	87560	87560-GFY6-E00	3	MARK DRIVE CAUTION	MARK DRIVE CAUTION	1	



86202



86030



87311



87140

Sales mark	Ref no	Part no	Ver	Description	Reg description	Regd no	F25
**	86030	86030-KKC4-900	2	EMB HANDLE COVER RR	EMB HANDLE COVER RR	1	
**	86202	86202-LFD9-E00	0	EMB BODY COVER	EMB BODY COVER	2	
**	87140	87140-LFD9-E00	0	EMB MARK 125S	EMB MARK 125S	2	
**	87311	87311-LCD3-E00	1	STRIPE MARK EURO 3	STRIPE MARK EURO 3	1	

PART NO. INDEX

PART NO.	VERSION	PAGE	PART NO.	VERSION	PAGE	PART NO.	VERSION	PAGE	
11000			12200-LEA5-E00	3	E02	14531-KKJ9-001	0	E03	
			12205-KHE8-301	1	E02	14550-KDS4-00B	3	E03	
			12209-GDB4-68A	0	E02	14552-KDS4-004	2	E03	
	11100-KKC1-305	1	E01	12209-GDB4-68B	0	E02	14553-KDS4-004	2	E03
	11102-1G87-004	3	E01	1221A-KEBE-900	1	E02	14555-LBA2-E00	1	E03
	11192-LEA5-E00	2	E01	12251-LEA5-E00	1	E02	14610-KKJ9-001	0	E03
	11200-KKC3-315	0	E01	12310-KEBE-900	5	E02	14711-KKC2-800	1	E02
	11203-GGC7-301	2	E01	12361-GFY6-901	1	E04	14721-KAAA-900	3	E02
	11203-GGC7-301	2	F16	12391-KEBE-900	0	E02	14751-KKJ9-003	1	E02
	11207-KKC4-900	3	F13				14761-KKJ9-003	1	E02
	11211-LEA5-E00	2	F13	13000			14771-GDB4-680	2	E02
	1122A-KKC2-900	0	E05				14775-MFA6-001	0	E02
	11330-KKC3-900	6	E04	13000-KKC2-900	6	E03	14781-MFA6-001	0	E02
	11341-KKC3-900	7	E01	13011-GFY6-900	0	E03			
	11342-LEA6-900	2	E01	13101-KED1-900	1	E03	15000		
	11345-KKC2-E00	0	F20	13111-3D84-001	3	E03			
	11346-KKC3-900	0	F20				15100-KKC3-900	3	E07
11383-KUDU-900	0	E01	14000			15133-KAM1-001	0	E07	
11384-KHE7-900	1	E03				15141-KKJ9-004	0	E07	
11394-LEA5-E00	2	E04	14100-LEA6-910	1	E02	1541A-KKC3-900	1	E01	
11395-LEA5-E00	1	E01	14401-KUDU-900	0	E03	15421-1G07-001	1	E04	
12000			14401-KUDU-90C	0	E03	15421-KKC3-900	1	E01	
			14431-KKC1-900	0	E02	15422-KKC3-900	3	E01	
			14450-KEBE-900	0	E02	15423-KKC3-900	1	E01	
	12100-LEA5-E00	3	E03	14461-KEBE-900	0	E02	15426-GAE1-921	0	E04
	12191-LEA5-E00	1	E03	14510-KEBE-900	0	E03	1565A-KEBE-900	0	E04

PART NO. INDEX

PART NO.	VERSION	PAGE	PART NO.	VERSION	PAGE	PART NO.	VERSION	PAGE
15711-KKC3-900	1	E07	16117-KEC3-900	0	E09	17000		
15712-KEBE-900	0	E07	16122-KEC3-900	0	E09			
15772-5L00-013	1	F13	16124-KEC3-900	2	E09			
16000			16131-KEC3-900	0	E09	17110-KKC1-E00	3	E02
			16132-KEC3-900	1	E09	17214-KKC3-900	0	F13
			16133-KEC3-900	1	E09	17215-KGBG-90A	2	F13
16001-KEC3-900	3	E09	16134-KEC3-900	0	E09	17215-KGBG-90B	0	F13
16012-KEC3-800	4	E09	16138-KEC3-900	1	E09	1721A-KKC3-900	1	F13
16019-KUDU-900	0	E09	16140-KEC3-900	1	E09	17228-KKC3-900	2	F21
16035-KHB4-EZ0	0	E09	16142-KEC3-900	1	E09	17231-KKC3-900	3	F13
16051-KEC3-90A	1	E09	16150-KEC3-900	1	E09	1723A-KKC2-800	4	F13
16053-KEC3-900	0	E09	16154-KEC3-900	0	E09	17254-KACA-P00	0	F13
16068-KEC3-900	0	E09	16165-KEC3-900	0	E09	17255-KHD8-920	2	F13
16069-KEC3-900	3	E09	16170-KEC3-900	0	E09	17368-KDB4-670	2	F13
16070-KEC3-900	3	E09	16179-KEC3-900	2	E09	17369-KDB4-671	1	F23
16074-KEC3-900	4	E09	16180-KEC3-900	0	E09	17370-4K19-701	0	F13
16079-KEC3-900	3	E09	16181-KEC3-900	1	E09	17371-1D74-671	0	F13
16087-KEC3-900	3	E09	16196-KKC8-500	2	E09	17500-KKC4-900	3	F10
16088-KEC3-900	1	E09	16217-KKC2-800	1	E02	17502-KKC4-900	0	F10
16093-KEC3-096	0	E09	16700-KHE7-900	5	F10	17510-KKC4-E00	0	F10
16095-KEC3-900	2	E09	16911-KKC4-900	0	F10	17520-KKC4-900	1	F19
16100-LFD9-E01	2	E09	16912-KKC4-900	0	F10	17550-KHC4-900	0	F10
16110-KGC5-900	1	E09	1691A-KEC2-E00	0	F10	17620-KHC5-E00	0	F19
16111-KEC3-900	1	E09				17623-KHC4-90A	6	F19
16113-KEC3-900	2	E09				17682-KKC4-900	0	F10
16116-KEC3-900	1	E09				17683-KKC4-900	0	F10

PART NO. INDEX

PART NO.	VERSION	PAGE	PART NO.	VERSION	PAGE	PART NO.	VERSION	PAGE
17689-KEBE-900	1	F10	19000			19310-KEBE-900	1	E08
17910-KKC2-810	2	F03				19315-KEBE-900	2	E08
18000			19010-LFD9-E00	2	F21	19411-KBCB-900	0	F10
			19012-KHD8-900	4	F21	19501-KKC3-900	0	E08
18291-LEA5-E00	1	F14	19013-LFD9-E00	1	F21	19502-KEBE-900	0	E03
18293-KECE-900	0	F14	19014-LFD9-E00	1	F21	19503-KEBE-900	0	E08
18294-KEBE-900	0	F14	19015-LEA5-E00	1	F21	21000		
18295-KECE-900	0	F14	19016-LFD9-E00	1	F21			
18305-KHD8-900	0	F14	19020-KED9-900	1	F21	21201-KFC8-305	0	E05
18306-KHD8-900	1	F14	19030-KHD8-900	2	F21	21395-LEA5-E00	2	E05
1830A-KKC1-EYA	1	F14	19101-KKC4-900	0	F21	22000		
18318-KKC1-E00	0	F14	19102-LFD9-E00	2	F21			
18325-KKC1-900	0	F14	19104-KKC4-900	0	F21			
18601-MAJ1-791	1	E02	19105-KKC4-900	0	F21	22101-KEBE-900	1	E06
18612-KEBE-900	0	E02	19111-GBE2-004	1	F21	22102-KKC3-900	3	E06
18618-KHD6-900	0	F23	19120-KKC4-900	4	F21	22105-KHD4-E00	1	E06
18645-GFY6-941	0	E02	19210-KKC4-900	0	F21	22110-KKC3-900	1	E06
18646-GFY6-941	0	E02	19211-LEA5-E00	4	E08	22112-KAAA-900	0	E06
18647-KEBE-900	0	E02	19215-KKJ9-011	0	E08	22121-LEA5-E00	1	E06
18656-LFD9-E00	1	F23	19217-6G57-024	0	E08	22131-KAAA-900	1	E06
18657-LCD3-E00	1	F23	19221-KKC3-900	1	E08	22132-KGN7-670	3	E06
1880A-LFD9-E0A	1	F23	19229-KKC3-900	0	E08	22300-LBF6-E00	1	E06
1880A-LFD9-E0B	1	F23	19231-LEA5-E00	1	E08	22350-KGN7-671	0	E06
18814-LFD9-E00	1	F23	19232-LBA2-E00	2	E08	22361-KGN7-671	1	E06
			19300-KAE1-004	1	E08	22401-LLB1-900	1	E06

PART NO. INDEX

PART NO.	VERSION	PAGE	PART NO.	VERSION	PAGE	PART NO.	VERSION	PAGE
22530-KGN7-671	2	E06	28131-KGN7-671	0	E07	31500-KFAF-90A	4	F11
22804-GBB2-001	0	E06	28211-KFC8-900	0	E06	31500-KFAF-90B	6	F11
23000			28223-KNBN-901	0	E01	31600-KAM1-009	1	F19
			28230-KNBN-901	0	E01	31601-KKC4-900	4	F19
			28250-KFC8-900	1	E01	31602-KKC4-900	0	F19
			28253-GBN2-60A	0	E01	3195A-KBCB-900	0	F19
			28255-GFS6-001	0	E01			
2301A-LEA5-E00	1	E06	28281-LEA5-E00	1	E01	32000		
23100-KKC2-900	2	E06	28300-KKC2-E00	0	F15			
23200-KEBE-900	2	E06				32100-LFD9-E61	0	F19
23220-LLB1-900	1	E06	30000			32101-LDB2-E00	2	E09
23225-GHC8-004	0	E06				32161-LBA7-900	0	F19
23226-GHC8-004	0	E06	30300-KEBE-900	2	E08	32410-KUDU-900	2	E07
23233-LEA5-E00	1	E06	30301-KEBE-90B	0	E08	32411-KKC4-800	2	F11
23237-KHG8-901	0	E06	30400-LFD9-E01	0	F19	32412-KKC4-800	3	F11
23411-KKC2-900	0	E05	30510-KEBE-900	6	F19			
23420-LEA5-E00	2	E05	30700-KGN7-671	2	F19	33000		
23431-KFC8-900	2	E05						
23432-LEA5-E00	1	E05	31000			33100-KKC4-E00	4	F01
28000						33120-KKC4-E00	1	F01
			31110-KKC2-81A	2	E08	33130-KKC4-E00	0	F01
			31110-KKC2-81B	3	E08	33600-KKC4-E00	2	F17
			31120-KKC2-81A	2	E08	33602-KKC4-E00	0	F17
			31120-KKC2-81B	2	E08	33603-KKC4-E00	0	F17
28101-KKJ9-011	0	E07	31210-KKC3-900	3	E07	33606-KKC4-E00	0	F17
28102-KKJ9-001	0	E07	31210-KKC3-90C	2	E07	33607-KKD7-E00	0	F17
28110-KGN7-672	0	E07						
28120-KEBE-305	0	E07						
28125-4F26-001	0	E07						
28126-KUDU-900	1	E07						

PART NO. INDEX

PART NO.	VERSION	PAGE	PART NO.	VERSION	PAGE	PART NO.	VERSION	PAGE
33650-KKC4-E00	2	F17	34908-MKB9-87A	0	F02	37280-KKC3-900	0	F02
33652-KKC4-E00	0	F17	34909-KFBF-900	0	F12	37710-LDB2-E00	1	E09
33653-KKC4-E00	0	F17				37720-KGBG-E00	0	E09
33656-KKC4-E00	0	F17	35000			37720-KGBG-E00	0	F19
33700-KKC4-E00	1	F18				37750-PAC1-005	0	E08
33702-KKC4-E00	0	F18	35101-KKC2-325	0	F19	37760-KGBG-E10	1	F19
33705-KKC4-E00	0	F18	35102-KHC4-900	2	F19	37760-KHD8-900	0	F21
33706-KHB4-E01	0	F18	35104-KHC4-90A	0	F19	37801-GGA7-701	1	F10
33709-KBAB-003	0	F18	3515A-KKC2-E00	0	F03	37802-GGA7-701	2	F10
33720-KHB4-E00	3	F18	3520A-KEBE-900	2	F03	3780A-KKC3-900	3	F10
33722-KHB4-E00	0	F18	35340-KKC4-80A	0	F12			
33725-KHB4-E00	0	F18	35340-KKC4-80B	0	F12	38000		
33726-KHB4-E00	0	F18	35340-KNBN-901	0	F04			
33741-GFY6-C30	1	F18	35350-KNBN-901	0	F04	38110-LEA5-E00	1	F19
33741-KEBE-900	0	F18	35400-KHE7-900	1	F19	38200-KHE7-900	0	F19
33900-KFBF-900	0	F12	35850-KHD8-900	1	F19	38300-KECE-900	2	F19
			35850-KHD8-90A	0	F19	38500-KHD8-900	0	F11
34000			37000			38500-KHD8-90A	0	F11
34300-KKE3-900	3	E09				38773-KEC3-900	0	E09
34301-KKE3-900	2	E09	37200-KKC1-E00	5	F02	38773-PKB9-001	0	F21
34901-KED9-900	0	F01	37203-KKC3-900	0	F02	39000		
34903-KPCP-900	0	F01	37204-KKC3-900	0	F02			
34903-KPCP-900	0	F18	37211-KKC3-900	1	F02	39100-KHD8-900	0	F19
34905-KPCP-900	0	F17	37213-KKC3-900	1	F02			
34906-KPCP-900	0	F18	37214-KKC3-900	0	F02			

PART NO. INDEX

PART NO.	VERSION	PAGE	PART NO.	VERSION	PAGE	PART NO.	VERSION	PAGE
42000			43416-KKC4-900	3	F18	45131-1F66-017	0	F08
			43530-KFC8-305	1	F04	45131-GBE2-007	1	F07
			44000			45131-GBE2-007	1	F08
42311-KFC8-900	2	F08				45132-1F66-017	0	F07
42312-KEBE-900	0	F08			45132-1F66-017	0	F08	
42601-KHD8-90A	3	F08	44301-KXCX-900	4	F07	45133-MCA3-007	0	F07
42601-KHD8-90B	2	F08	44311-KEBE-900	0	F07	45133-MCA3-007	0	F08
42601-KHD8-90C	2	F08	44620-KHD8-900	1	F07	45150-LLB5-305	0	F07
42710-KKC4-E30	1	F08	44650-KHD8-30A	3	F07	45156-KECE-900	2	F06
42753-KNBN-90B	1	F07	44650-KHD8-30C	4	F07	45200-KKC2-E00	1	F07
42753-KNBN-90B	1	F08	44710-KKC4-E30	1	F07	45209-GBE2-007	0	F07
			44800-KFA5-900	1	F07	45209-GBE2-007	0	F08
43000			44830-KKC4-900	3	F02	45210-KHD8-900	0	F07
			44831-KKC4-900	0	F02	45215-KECE-900	0	F07
43100-KEBE-910	1	F08			45215-KECE-900	0	F08	
43126-KKC2-E00	1	F04	45000			45216-1F66-007	0	F07
43150-KEBE-306	0	F08				45216-1F66-007	0	F08
43156-KKC3-900	0	F04	45107-MEN5-007	0	F07	45216-KFW6-90A	0	F07
43156-KKC4-900	1	F04	45107-MEN5-007	0	F08	45216-KFW6-90A	0	F08
43210-KEBE-900	2	F08	45108-MDL4-007	2	F07	45351-KHE7-E00	1	F07
43215-KEBE-900	0	F08	45108-MDL4-007	2	F08	45513-KXCX-M00	1	F04
43351-KHE7-E00	2	F08	45109-GBE2-007	0	F07	45517-KFAF-910	0	F04
43352-5H68-004	3	F07	45109-GBE2-007	0	F08	45520-GLW0-91A	0	F04
43352-5H68-004	3	F08	45126-KKC2-900	2	F04	45530-KFC8-E00-IT	2	F04
43353-4A61-77A	0	F07	45128-KEBE-900	0	F04	45531-GAR1-951	0	F07
43353-4A61-77A	0	F08	45131-1F66-017	0	F07	45531-GAR1-951	0	F08

PART NO. INDEX

PART NO.	VERSION	PAGE	PART NO.	VERSION	PAGE	PART NO.	VERSION	PAGE
50000			50613-KKC4-900	1	F20	53000		
			5061A-KKC3-900	1	F20			
50100-LFD9-E01	0	F20	51000			53100-KKC4-900	0	F03
50139-KKC4-800	1	F10				53105-KKC4-900	0	F03
50185-KKC4-900	0	F20	51400-KKC4-900	2	F06	53106-KKC4-900	0	F03
50186-KKC4-900	0	F20	51401-KHD8-900	0	F22	53125-GEN5-901	0	F03
50191-KKC4-900	0	F20	51410-KHD8-900	0	F22	53140-KKC3-900	0	F03
50197-KKC4-900	1	F10	51411-KHD8-900	0	F22	53166-KGB5-900	0	F03
50301-KGN7-671	2	F20	51412-KHD8-900	0	F22	53175-KFA5-E10	0	F04
50302-2H68-011	2	F20	51413-KHD8-900	0	F22	53178-KFC8-E10	0	F04
50306-1F96-001	0	F06	51420-KKC4-900	0	F22	53200-KKC2-900	2	F06
50326-KKC4-800	2	F11	51422-KKC4-900	0	F22	53204-KKC4-900	2	F05
50328-KKC4-800	2	F11	51423-KKAK-900	0	F22	53205-KKC4-900	2	F03
5032A-KKC4-800	2	F11	51427-KKAK-900	0	F22	53206-KKC4-900	1	F03
50350-LEA5-E00	4	F20	51428-KKAK-900	0	F22	53207-KKC4-900	0	F03
50352-GFY6-901	0	F20	51429-KHD8-900	0	F22	53208-KKC4-900	0	F03
50356-KHE7-E00	0	F20	5150A-KKC4-900	3	F06	53209-KKC4-900	0	F03
50502-GFY6-901	3	F15	51520-KKC4-900	0	F22	53211-GFY6-940	1	F06
50504-KKC3-900	2	E01				53212-2L50-011	1	F06
50505-KKD7-900	1	F15	52000			53214-2L50-001	0	F06
5050A-KKC3-900	7	F15				53214-KKC4-900	0	F05
50530-KKC4-E00	1	F15	52000-KKC3-900	3	F16	53215-2L50-001	0	F06
50531-KEB7-E00	1	F15	52400-KKC2-E00	2	F16	53224-KKC4-900	0	F05
50532-KGBG-E00	1	F15	52500-KKC2-E00	3	F16			
50550-KEB7-E00	1	F15						

PART NO. INDEX

PART NO.	VERSION	PAGE	PART NO.	VERSION	PAGE	PART NO.	VERSION	PAGE
61000			64327-KKC4-900	1	F02	81137-KKC4-900	0	F05
			64328-KKC4-900	0	F02	81147-KKC4-900	0	F05
			64400-KKC4-900	0	F05	81151-KKC4-900	0	F12
61110-KHD8-900	2	F06				81201-KKC4-800	1	F12
64000			77000			81202-KKC4-900	0	F12
			77200-KKC4-B23	1	F09	8120A-KKC4-900	6	F12
64220-KKC4-900	1	F05	77210-KKC4-900	0	F09	81252-KKC4-800	2	F12
64221-KKC4-900	0	F05	77220-KKC4-910	1	F09	81255-KKC4-800	1	F12
64222-KKC4-900	3	F05	77235-KKC4-80A	0	F12	81257-KKC4-800	1	F12
64301-KKC4-900	0	F05	77235-KKC4-80B	0	F12	81260-KKC4-700	3	F12
64302-LFD9-E00	2	F05	77240-LLJ3-E01	1	F12	81400-KKC4-900	0	F12
64303-LFD9-E00	2	F05	77300-KKC4-800	1	F09	81500-KKC4-900	0	F12
64305-KKC4-900	2	F05				83000		
64306-KKC4-900	2	F05	80000			83500-KKC4-800	2	F12
64307-LFD9-E00	1	F05				83600-KKC4-800	2	F12
64308-LFD9-E00	1	F05	80100-KKC4-900	4	F18	8360A-KKC4-900	0	F13
64310-KKC4-900	0	F05	80101-KKC4-800	3	F18	83750-KKC4-900	1	F12
64311-KKC4-900	3	F05	80105-KKC4-E00	0	F18	8376A-KEBE-900	4	F05
64312-KKC4-900	3	F05	80151-KKC4-900	0	F12			
64315-LFD9-E00	1	F20				86000		
64317-KKC4-900	1	F05	81000			86030-KKC4-900	2	F25
64318-KKC4-900	0	F21				86102-LEA5-E00	1	F05
64320-KKC4-900	0	F05	81131-KKC4-900	0	F05	86202-LFD9-E00	0	F25
64321-KKC4-900	3	F05	81132-KEB7-900	1	F05			
64322-KKC4-900	1	F05	81136-KKC4-900	0	F05			

PART NO. INDEX

PART NO.	VERSION	PAGE	PART NO.	VERSION	PAGE	PART NO.	VERSION	PAGE
87000			89000			90106-KKC4-900	0	F12
87140-LFD9-E00	0	F25	89010-KKC4-800	1	F09	90108-KFC8-E00	0	F15
87224-LFD9-EY1	0	F24	89013-KFC8-E00	1	F09	90110-KEB7-900	1	F06
87311-LCD3-E00	1	F25	89020-KKC4-900	1	F09	90110-KHD8-900	0	F14
87505-KHE7-E00	1	F24				90111-1G87-001	1	F12
87508-KKC4-E00	1	F05	90000			90112-KNBN-901	1	F11
87512-KEBE-E00	0	F24				90112-KNBN-901	1	F18
87541-GAR1-E00	1	F24	90001-GBHB-661	0	F21	90112-KRDR-900	0	F19
87541-KKC2-E00	1	F24	90012-3C33-001	0	E02	90114-1F66-007	2	F04
87542-GAR1-E00	2	F24	90021-GFY6-900	2	F14	90114-GDM4-011	1	F13
87560-GFY6-E00	3	F24	90031-KEBE-900	0	E01	90114-KXCX-900	1	F13
			90032-KEBE-900	0	E01	90116-KHD8-900	0	F22
88000			90033-KEBE-900	0	E01	90117-KED9-900	1	F20
			90033-GFY6-900	0	E02	90121-KHE7-E00	0	F20
			90033-GFY6-941	0	E02	90122-KEBE-900	2	F07
88110-LFD9-E00	2	F03	90084-4H28-001	0	E04	90131-GLW0-911	0	F08
88114-KKC4-900	3	F03	9008A-KBE2-900	0	E04	90131-KFAF-900	0	F16
88115-KKC4-900	0	F03	90105-KCR3-001	1	F07	90145-MKS9-61A	1	F04
88116-KKC4-900	3	F03	90105-KCR3-001	1	F08	90201-KHR8-75A	0	E08
88120-LFD9-E00	2	F03	90105-KEN5-001	0	F12	90202-KGN7-671	0	E06
88120-LFD9-E00	4	F03	90105-KNBN-901	0	F12	90206-0A01-001	1	E02
88125-KKC4-900	0	F03	90106-GEN5-901	0	F03	90215-GLM0-910	1	F14
88126-KKC4-900	3	F03	90106-KFA6-900	0	F03	90215-KKC4-900	1	F12
88130-KKC4-900	0	F03	90106-KFC2-900	0	F12	90301-6D34-671	1	F18
88135-KKC4-900	1	F03	90106-KHE7-E00	0	F20	90301-GFY6-901	2	F14
						90302-GBR2-001	1	F05

PART NO. INDEX

PART NO.	VERSION	PAGE	PART NO.	VERSION	PAGE	PART NO.	VERSION	PAGE	
90302-GBR2-001	1	F21	90428-9H58-001	0	E08	91000			
90302-GFY6-901	1	F03	90446-3G57-001	0	E05				
90302-GFY6-901	1	F05	90451-GBN2-601	0	E01				
90302-GFY6-901	1	F21	90465-MDC4-001	0	E02		91001-GFY6-90A	2	E06
90302-GFY6-940	1	F02	90474-3C33-001	1	E05		91002-GGA7-70A	0	E06
90302-GFY6-940	1	F05	90478-7L00-001	0	E03		91003-KDS4-004	1	E05
90302-GFY6-940	1	F12	90478-7L00-001	0	E08		91009-GLE0-004	1	E05
90302-GFY6-940	1	F18	9052A-GFY6-950	1	E01		91051-KFBF-901	1	F16
90302-KEC8-900	1	F03	90544-KEC8-900	0	F22		91101-1K79-711	1	E07
90302-KFC2-900	1	F18	90545-3L00-001	2	F04		91104-KGN7-671	0	E01
90302-SDA4-004	1	F05	90605-1F66-721	0	E06		91105-KGN7-672	0	E05
90302-SDA4-004	1	F12	90656-GFY6-911	0	F03		91202-KGB4-C00	1	E08
90304-4H38-001	2	E02	90656-KUDU-900	0	F19		91202-KKJ9-004	0	E01
90304-4H38-001	2	F18	90677-GAR1-004	1	F05		91211-KEBE-900	0	E06
90304-GHE8-004	0	F03	90677-GAR1-004	1	F18		91255-GLE0-006	0	E05
90304-GHE8-004	0	F20	90683-GAR1-004	4	F18		91259-KFBF-900	0	F16
90305-GHK8-001	1	F12	90701-HFB6-011	1	E03		91261-4E15-004	0	E01
90305-KFW6-91A	0	F08	90754-GHC8-00A	1	F07	91301-0H28-001	0	E02	
90306-KLF0-004-SY	1	F07	90754-GHC8-00B	1	F07	91301-KGV7-671	0	E08	
90381-GEZ5-001	1	F12	90912-KFLF-00A	0	F07	91302-0A01-021	0	E04	
90401-KKJ9-001	0	E08	90912-KFLF-00D	0	F07	91302-5G67-004	0	E04	
90403-KGN7-671	0	E06	90913-KKC4-900	0	F21	91302-5G67-004	0	E08	
90411-KAM1-001	0	E05	90915-KKC4-900	1	F02	91303-3G77-001	0	E04	
90412-3K29-001	0	E01				91307-0E35-001	0	E04	
90421-KAM1-004	0	E03				91309-4E25-004	0	E07	
90423-KKJ9-001	0	E08				91384-KEBE-900	0	E06	

PART NO. INDEX

PART NO.	VERSION	PAGE	PART NO.	VERSION	PAGE	PART NO.	VERSION	PAGE
91407-SGA7-004	0	F13	93500-05045-1B	0	F03	93903-35360	0	F03
91508-KGV7-67A	0	F18	93500-KHC4-90A	0	F19	93903-35360	0	F12
91981-KGN7-670	0	E07	93600-04012-1G	0	F04	93903-GFY6-900	1	F05
92000			93700-05018-0H	0	F02	93903-GFY6-900	1	F11
			93891-05012-06	0	F05	93903-GFY6-900	1	F12
			93891-05016-08	0	E09	94000		
	92000-05032-0H	0	E08	93891-05016-08	0		F13	
92000-06028-0H	0	E07	93891-05030-06	0	F18			
92900-06045-0B	0	E02	93892-04008-18	0	E09		94050-05080	0
93000			93892-05012-18	0	E09	94050-06060	0	F04
			93893-04012-18	0	F04	94050-06080	0	E02
			93901-32220	0	F17	94050-06080	0	E09
	93404-06016-06	0	F05	93901-34220	0	F17	94050-06080	0
93404-06016-06	0	F21	93901-34320	0	F18	94050-06080	0	F10
93404-06020-06	1	F05	93903-25460	0	F13	94050-06080	0	F11
93404-KKC2-900	1	F05	93903-34360	0	F03	94050-06080	0	F18
93500-03010-1A	0	E07	93903-34360	0	F05	94050-06080	0	F19
93500-04010-0G	0	E09	93903-34360	0	F12	94050-06080	0	F21
93500-04012-0H	0	F12	93903-34360	0	F13	94050-08080	0	E02
93500-04014-0G	0	E09	93903-34360	0	F17	94050-08080	0	F19
93500-04020-0G	0	F19	93903-34360	0	F18	94050-12080	0	E06
93500-05012-08	0	E09	93903-34360	0	F20	94101-06200	0	F14
93500-05016-0H	0	E08	93903-34360	0	F21	94111-04800	0	E09
93500-05016-1B	0	F03	93903-35220	0	F10	94111-06800	0	E09
93500-05025-1B	0	F03	93903-35220	0	F13	94111-06800	0	F14
93500-05032-1B	0	F03	93903-35360	0	F01	94301-08140	0	E01

PART NO. INDEX

PART NO.	VERSION	PAGE	PART NO.	VERSION	PAGE	PART NO.	VERSION	PAGE
94301-08140	0	E04	95002-02070	0	E09	95701-06012-08	0	F19
94301-08140	0	E05	95002-02070	0	F10	95701-06012-08	0	F20
94301-08140	0	E08	95002-02070	0	F23	95701-06012-08	0	F21
94301-10160	0	E02	95002-02080	0	E05	95701-06014-08	0	F10
94301-10160	0	E03	95002-02080	0	F10	95701-06016-06	0	F21
94303-04065	0	E07	95002-02100	0	F10	95701-06016-08	0	F21
94510-10000	0	E07	95002-02100	0	F21	95701-06022-06	1	F15
94510-14000	0	E08	95002-02130	0	F10	95701-06025-08	0	E02
94510-20000	0	E05	95002-02130	0	F13	95701-08012-08	0	E01
94511-14000	0	E01	95002-40680-08	0	F21	95701-08012-08	0	E05
94520-28000	0	E06	95002-50000	0	F02	95701-08030-08	0	F16
94540-50029	0	E09	95002-70000	0	F21	95701-08050-08	0	F20
94591-25000	0	E09	95002-KGN7-910	1	E03	95701-KHC5-E00	3	F19
94591-27000	0	F05	95002-KGN7-910	1	E08	95801-08040-08	0	F06
94591-KFBF-900	2	E02	95002-KGN7-910	1	F21	95801-08042-06	0	F14
94591-KFBF-900	2	E08	95002-KHE7-900	0	F21	95801-08065-06	0	F14
94601-15000	0	E03	95002-KKD6-E05	0	F23	95801-10025-08	0	F15
94601-33000	0	E06	95003-23031-60	0	F13	95801-10035-08	0	F16
94605-KHD8-900	0	F22	9500A-LAD9-900	1	E09			
94608-30000	0	F22	95701-06012-08	0	F01	96000		
			95701-06012-08	0	F04			
95000			95701-06012-08	0	F06	96001-06008-07	0	F14
			95701-06012-08	0	F10	96001-06010-08	0	E08
95001-35130-40	0	E09	95701-06012-08	0	F11	96001-06010-08	0	F14
95001-35135-40	0	E09	95701-06012-08	0	F12	96001-06014-08	0	E07
95001-35225-40	0	F21	95701-06012-08	0	F18	96001-06014-08	0	F10

PART NO. INDEX

PART NO.	VERSION	PAGE	PART NO.	VERSION	PAGE	PART NO.	VERSION	PAGE
96001-06016-02	0	E02	96211-08000	0	F06			
96001-06016-08	0	E01	96220-60100	0	E07			
96001-06016-08	0	E07	96600-08015-10	1	E07			
96001-06018-08	0	E03						
96001-06018-08	0	E08	98000					
96001-06020-08	0	E08						
96001-06020-08	0	F20	98069-5791R-00	0	E02			
96001-06022-06	1	F04	98200-31000	1	F11			
96001-06022-08	0	E03	98200-31000	1	F19			
96001-06022-08	0	E08	98200-31500	0	F11			
96001-06025-08	0	E02	98200-31500	0	F19			
96001-06028-02	0	E08	98200-32000	0	F11			
96001-06032-08	0	E02	98200-32000	0	F19			
96001-06035-08	0	E05						
96001-06040-08	0	E01						
96001-06040-08	0	E04						
96001-06040-08	0	E05						
96001-06045-08	0	E04						
96001-06050-08	0	E01						
96001-06060-08	0	E01						
96001-06120-08	0	E01						
96001-06120-08	0	E04						
96001-06125-08	0	E01						
96001-LEA6-900	1	E01						
96100-62030-00	0	E01						
96211-05000	0	F06						